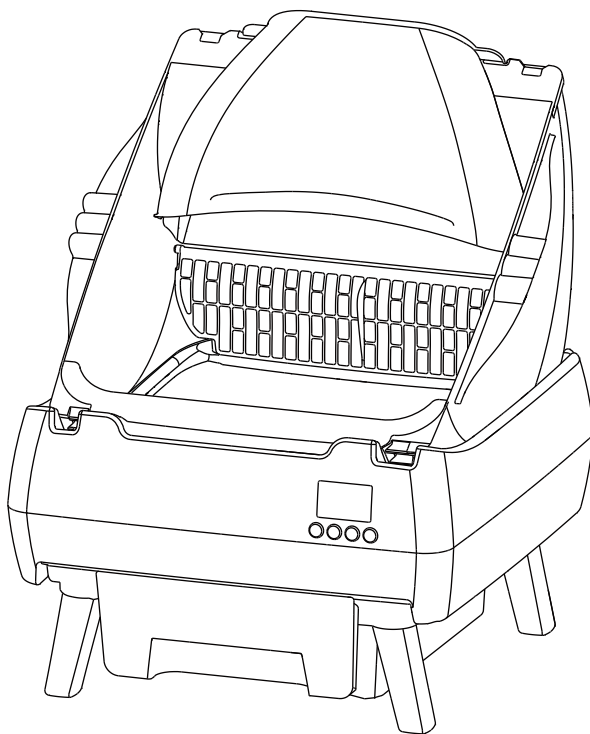


Self-Cleaning Cat Litter Box User Manual



Made in China

IMPORTANT

For safety reasons, please place the drum on the device before powering it on; otherwise, the device will not power on.

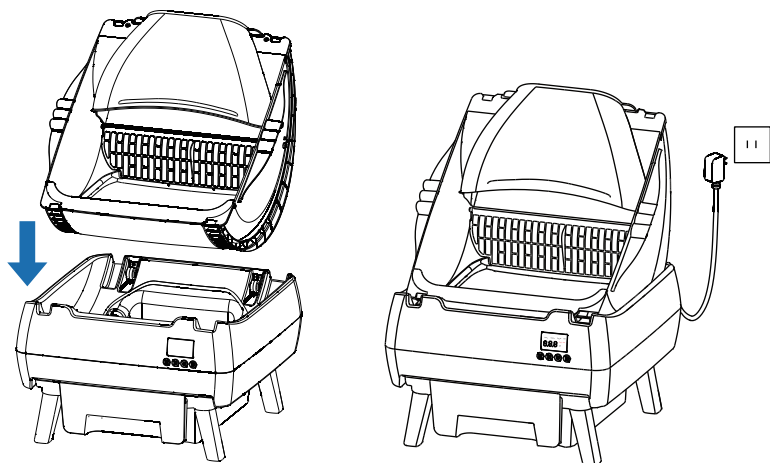


TABLE OF CONTENTS

Notice to Users	01
Important safety instructions	02
Accessory List	03
Assembly Instructions	04-06
Setting up and using the device	07-08
Connect to the App	09-10
Cleaning and Maintenance	11
Screen display instructions and Specification ---	12
Troubleshooting	13

Notice to users

Thank you for purchasing this Self-Cleaning Cat Litter Box, if you have any questions about the product, please contact our customer service by email, we will provide you with good after-sales service at the first time.

E-mail: Kitten-mew-cs@outlook.com



Scan the QR to download App



Scan the QR to contact us

Please read this product manual carefully and properly stored before using the device.

This device is suitable for cats weighing between 3.3 to 15 pounds.

Cats weighing less than 3.3 pounds will not be identified, and may cause danger to your kitten.

If your cats are not yet used to the automatic litter box, here are some tips that may help:

1. Place some of their used litter clumps inside the drum and waste bin of the automatic litter box, so they get familiar with the scent.
2. If your cats are afraid of the rotation, you can turn off the “ Self Clean On/Off ” in the app. The box will then not rotate automatically. Instead, you can manually start a cleaning cycle after each use or enable the timed cleaning option in the app.
3. For shy cats, it usually takes about 1–2 weeks to adapt to the new smell and to feel safe around the litter box.



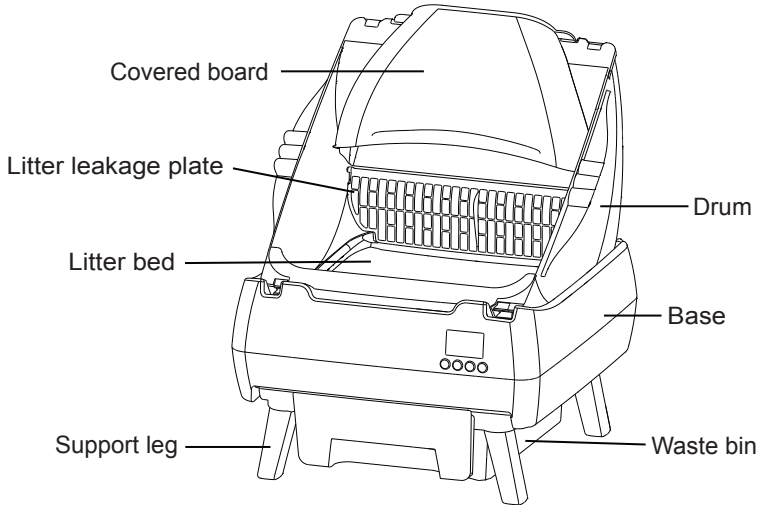
Note:After the self-cleaning function is turned off through App, the device will resume the self-cleaning function when the device is powered on.

Important safety instructions

- *Failure to comply with the following terms may result in the product not functioning properly, or other accidental damage.
- *This product is for indoor use only. Keep the device away from open flames and high temperature heat sources.
- *Do not use the device in places exposed to direct sunlight or rain, such as balconies.
- *Prohibit cleaning the base of the device with water to prevent damage to the internal electronic components.
- *Please use the original DC 12V/1A power adapter of the device, otherwise the device may be damaged due to the mismatch of the adapter power or other potential safety hazards.
- *If the power adapter or power cord is damaged (including broken, fractured, etc.), please stop using it immediately.
- *Place the device on a level surface, do not sit or stand against the device.
- *If the product is not used for a long time, please unplug the power supply to ensure the safety of electricity.
- *Prohibit children from using the device or using it as a toy.
- *Don't put your fingers into the crevices of the product structure to avoid injury.
- *Please unplug the power supply before cleaning or maintaining this device.
- *Please assemble and use the device strictly in accordance with these instructions. Product failure or damage caused by illegal operation is not covered by the warranty y.

Accessory List

Note: Please ensure that all accessories are present before assembly and use.

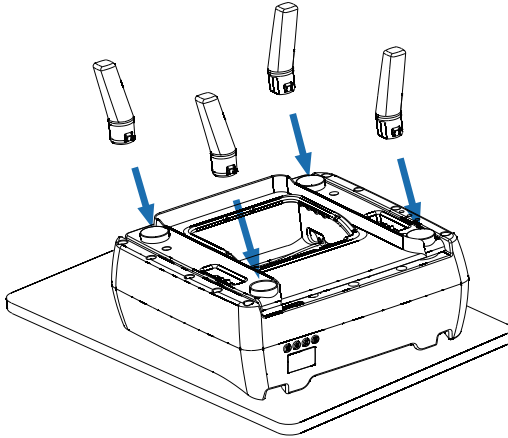


Base*1; Support leg*4; Gear side strip*1; Litter leakage plate*1;
Covered board*1; Waste bin (trash can)*1; Waste bin handle*1;
Trash bag pressure ring*1; Screwdriver accessory kits*1; Power adapter*1;
Trash bag*1; Cleaning kits*1; Quick Assembly Instructions *1; User Manual*1

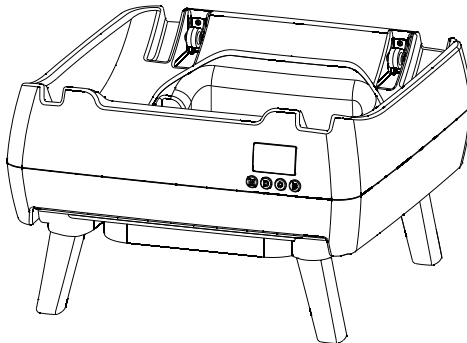
Assembly Instructions

Assemble support legs

1. First, take the base of the packing box and place it on top of the bag that's spread out flat.
Then, insert the four support legs into the round holes at the bottom of the device in the direction of flare.

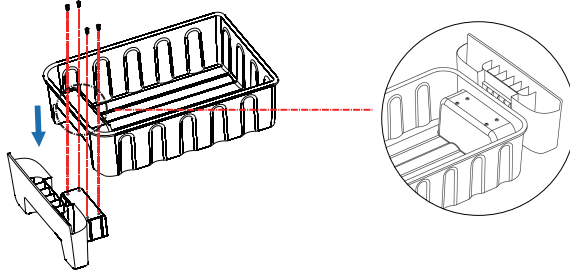


2. After all four legs are securely in place, stand the device upright for use.

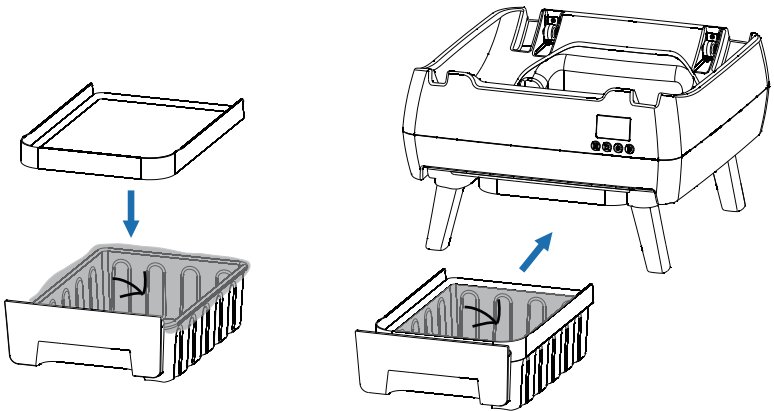


Assemble waste bin

1. Snap the waste bin with screw hole end into the waste bin handle in the direction shown, with the screw hole bit end aligned. Press in 4 large screws into the circle holes, then use a screwdriver to tighten these 4 screws.

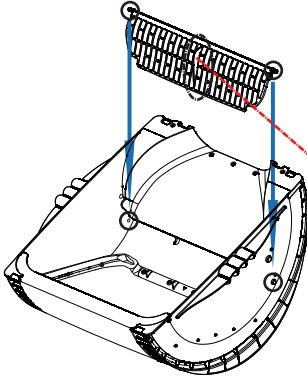
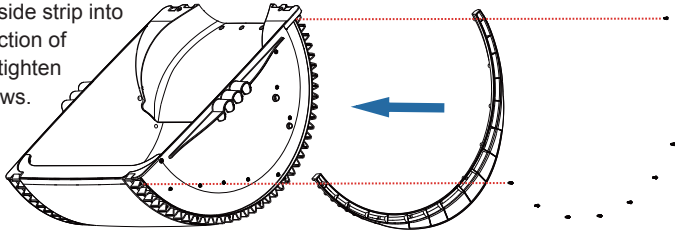


2. Put the trash bag over the waste bin and smooth the bag, then use the trash bag pressure ring to press the edge of the bag tightly. (Note that the trash bag fits tightly without any protruding parts, if not, the screen “Full” icon will light up, prompting the full-bin alerts.)
3. Push the waste bin with the trash bag in place under the base of the unit in the direction of the arrow. (Note that the waste bin should be fully pushed to the base of the machine. If not, the fecal mass may fall on the ground under the device and affect the normal use of the equipment.)



Assemble the drum

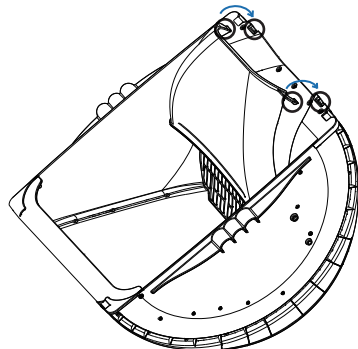
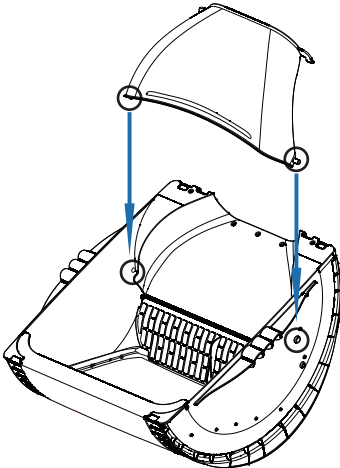
1. Assemble the gear side strip into the drum in the direction of the arrow and then tighten it with 10 small screws.



2. Bend the litter leakage plate, and insert the cylinders at both ends into the corresponding holes in the lower part of the drum on both sides.

Note: The raised side is always facing outward.

3. Insert the cylinders at both ends of the covered board into the corresponding holes in the middle of both sides of the drum.
4. Rotate the covered board, press the two clips at the front end into the buckle of the drum edge to fasten it, and the drum is assembled.



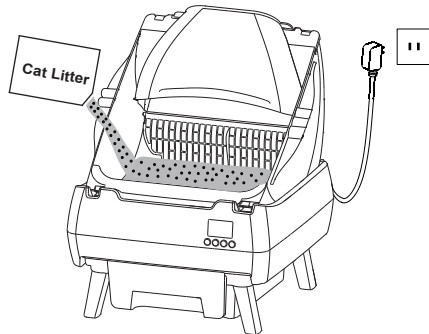
Setting up and using the device

Place the device on a level floor for use.

Place the drum gear against the base slot (the drum litter bed next to the base key direction), if the drum is in the wrong direction, the gears are not articulated and the device will not work. Pour in about 4.5 liters of cat litter, not exceeding the MAX scale (Incase excess cat litter being cleaned into the waste bin and be wasted).

Don't suspend the power cord, stick it to the ground to avoid being pulled out by the cat.

When the device is powered on, press the "M" button, the screen will display "Level.." or "Clean.." icon, then press the "D" button, the drum will roll and smooth the cat litter.



Congratulations, your cat can use this self-cleaning cat litter box Now.

When your cat enters the drum of the device to excretion, the "Cat in" icon and cat weight data will be displayed on the device panel. The device will delay for a few dozen seconds and then clean the excrement automatically, after the cat excretion finished and comes out, which is very intelligent and convenient.

Precautions in use

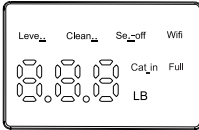
You should do a "leveling" or "cleaning" operation after adding cat litter.

The cat litter that can be used in this device includes mineral litter, mixed litter, bentonite litter, lumpy clay litter, tofu litter (length \leq 8mm).

Please do not operate the device during the cat's toilet period.

Don't touch the device to increase its gravity while the drum is rotating or the drum rotation will pause.

Operation



Cleaning or Levelling --

1. Press the "M" button, and the device will automatically select either "Clean" or "Level" mode based on the current status.
2. Then press the "D" button to execute.

Note: After adding new litter, please run either "Clean" or "Level" mode.

Clearing "Cat in" weight data --

1. Add cat litter in the idle mode, the screen will display the "Cat in" weight data, Press the "M" button, the screen will display the "Level.." icon, then press the "D" button, the device will reset the weight and perform the leveling litter operation, placing the drum in the standby position.
2. When the drum is interfered by external gravity during rotation (Cat entry, or added litter, etc.), the screen will display the "Cat in" icon and the "leveling" or "cleaning" task is suspended at this time, press the "C" button, the device will reset the weight and restore "leveling" or "cleaning" task (Under these circumstances, If the "C" button is not pressed, the "Cat in" weight data will be cleared and the paused task will be continued after 5 minutes).

Cancel the full alert -- When there are too many clumps of feces in the trash can, beyond a certain height, the red "Full" icon on the screen will flash, at this time, the device will not perform manual or automatic cleaning operations. Of course, if you still want to cleaning in this case, you can press the "B" button or send the "Ignore" command on the app, the "Full" icon will go out and the device will be able to perform leveling and cleaning normally.

Drum automatically returns to standby position -- When the drum is removed under powered on, the device will make a warning sound "Dili". Placed the drum back for 5 seconds, the warning sound will stop and the device will perform the leveling cat litter operation automatically and place the drum in the standby position.

Connect to the App

Install the APP and link the device to your mobile phone to enjoy more personalized features, giving you more information about your cat's living habits and health. At the same time, you can also share this information with your friends.


In addition, there are also device use skills, general troubleshooting methods and other videos, so that you can better and more fully use the device.

1. Scan the QR code on the right side and follow the instructions to install the App software on your phone.
2. Turn on the Bluetooth function and WiFi network of your phone.



Note: This device only supports 2.4GHz band WiFi network.

3. In the Idle status, long press the "D" button for 5 seconds until it beeps "diiiiiili" and the WiFi display blinks. Open the App and click "Add Device", select the 2.4GHz WiFi network, then enter the password and press next, the device connect to your phone.
4. App update: In order to improve the function of the product, the product will be upgraded from time to time, manually click to complete the upgrade under the App prompt (during the upgrade process, make sure that the device is powered on).

Note: Self cleaning mode can only be turned on/off from the App. Open the App to enter the settings interface, click the “  ” button to turn off the Self Clean function, then the screen “Se.-off ” will light up. And when the cat is excreted and comes out, the device will not go into the cleaning task. So it will avoid scaring the cat. In this state, you can manually start the cleaning task by pressing "M" button and then "D" button to go into cleaning task. You can also perform cleaning task by clicking the “clean now” function in the app.

Note: After the self-cleaning function is turned off through App, the device will resume the self-cleaning function when the device is repowered on.

Set up regular cleaning schedule, can set up multiple schedule.

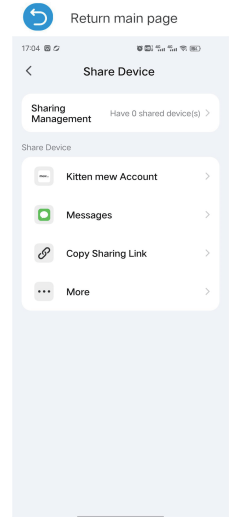
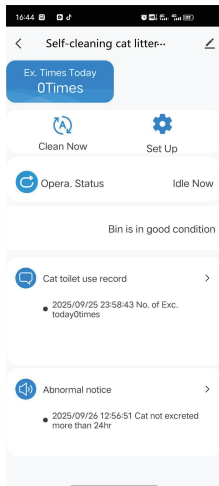
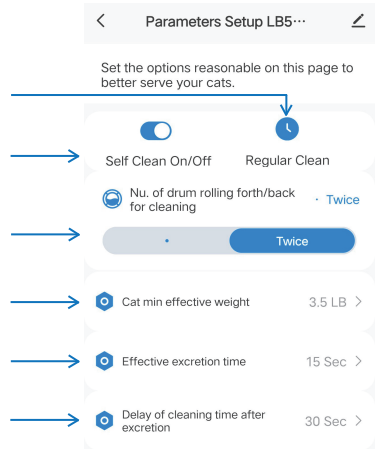
Select the On/Off switch for the self clean function.

Select drum rolling forth/back once or twice for cleaning. Twice for clean better.

Select the minimum cat weight that the device can identify.

Select the minimum effective length of the excretion time.

Select the delay seconds of cleaning after excretion.



This section records the detail history information of your cat excretion. And you can distinguish multiple cats based on cat weight. You can also use this information to understand your cat's habits and judge their health.

You can also push this App to your friends and family to share the joy of your cat.

Cleaning and Maintenance

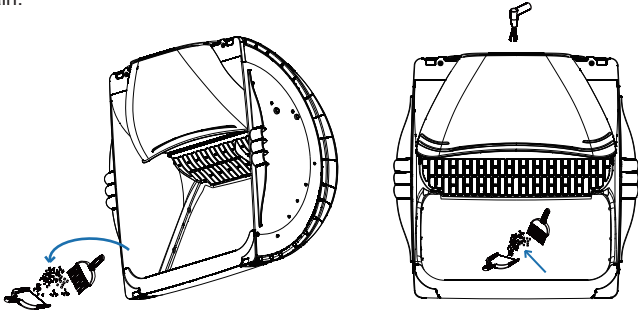
Clean waste bin

1. In the idle status, pull out the waste bin, remove the trash bag pressure ring and lift out the trash bag containing feces, then use a brush to clean up them.
2. Rinse them with water, after washing, place them in a ventilated place to dry thoroughly. Then replace with a new trash bag before use, press on the trash bag pressure ring and push the bin under the base until it can't be pushed further.



Clean the drum

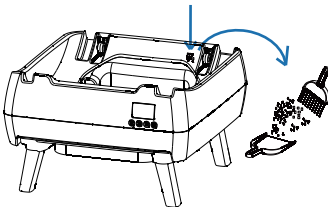
1. Empty the litter out of the drum, then use a broom and dustpan to clean up any remaining litter.
2. Rinse it with water, after washing, place it in a ventilated place and dry it thoroughly before using again.



Clean the base

1. Remove the drum and you will see some litter on the base, turn the base over and pour out the accumulated litter, then wipe it off with a rag before using it.

Note: The base contains electrical circuit devices, don't rinse it with water, avoid damage to the device.



Note: Unplug the power supply please before removing the drum. Only plug in the power supply after placing the drum.

It is recommended that to change a new bag within 7 days for one cat, and no more than 5 days in the summer, to prevent harboring flies.

It is recommended that you dump the entire litter once a month and clean both the drum and the waste bin, which will reduce odor deposits in the drum.

Screen display instructions

The meaning of the icon on the display panel



Blink indicates that the drum was taken from the base, and accompanied by the beep of “Dili” also.
Lighting up indicates that the device is in “Idle” mode.

Leve..

Levelling cat litter now.

Clean..

Cleaning now.

Se.-off

The self-cleaning function is turned off.

Wifi

Blink indicates that the device is connecting to the network.
Lighting up indicates that the device is already linked to the network.

Cat in

Add some cat litter or cat into the drum, and the weight data is displayed also.

Full

Feces full warning, at this time the device will not be able to perform leveling or cleaning.

Specification

Product Name: Self-Cleaning Cat Litter Box

Product size: 490X500X618mm

Product weight: 7.5kg

Materials: PP, ABS

Power supply: Input AC100-240V 50/60Hz

Output DC12V 1A

Power: 10W

Troubleshooting

Symptom	Possible Cause	Solution
Wi-Fi connection abnormal	Wi-Fi not connected	<ol style="list-style-type: none"> 1. Check whether the Wi-Fi signal is good, Note: only supports 2.4G Wi-Fi signal. 2. If the wifi signal not good, Use one phone to create a 2.4GHz hotspot. Use a second phone to connect to that hotspot and open the app. Then, go through the setup process in the app to connect the litter box to the mobile hotspot.
Abnormal display of "Cat in" weight data	The device is not placed on the ground correctly	Please make sure that all four legs of the litter box are placed on a flat and hard surface to ensure stability -- do not place any mats and carpet underneath the legs, as this can interfere with the weight sensors.
Unable to select Level or Clean mode	This design automatically selects the mode according to the changes in weight to achieve a "blind-proof" effect.	<ol style="list-style-type: none"> 1. When new litter is added, the weight changes significantly, and the display will show "cat in". At this time, only "Level" mode can be selected. The purpose of this mode is to reset the detected weight so the unit can correctly recognize when your cat enters. 2. During normal use, only "Clean" mode will appear. 3. Even if you add a small amount of litter and the display does not show "cat in," the unit will still automatically reset the weight within 5 minutes. Alternatively, you can manually start "Clean" mode, which will both reset the weight and evenly distribute the litter — the same effect as "Level" mode.
"Full" icon flashing	Feces full warning or infrared sensor failure	Make sure the trash bag fits tightly without any protruding parts to avoid false full-bin alerts. If the infrared sensor fails, press the "B" button to cancel the "Full" warning and the device will resume normal use.
Device doesn't self clean after the cat comes out of the drum	<ol style="list-style-type: none"> 1. Self Clean Function is turned off. 2. No effective excretion time was reached. 	<ol style="list-style-type: none"> 1. Turn on the "Self Clean On/off " in the App set up page. 2. Or repower the device, Choose a shorter effective excretion time in the App set up page. 3. It's also possible that the cat's weight hasn't reached the set threshold. Generally, a four-month-old cat's weight can reach the minimum set value of 3.3 lb.

