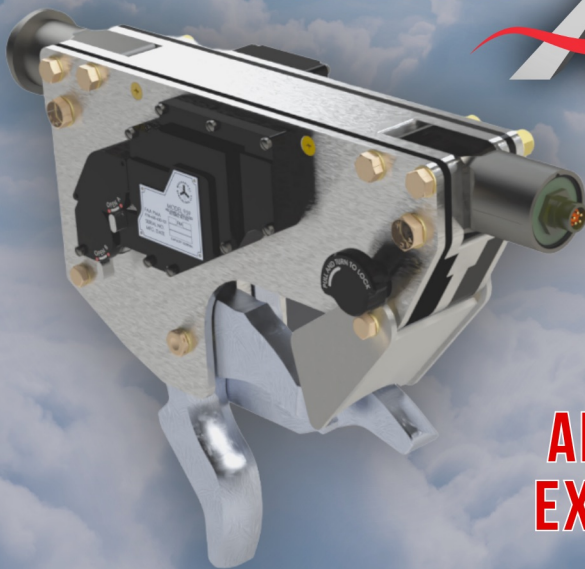


# HELICOPTER CARGO HOOKS

INTRODUCING:

**ADEC**<sup>TM</sup>  
*Hook*



**ADVANCED DUAL  
EXTERNAL CARGO**

## 2026 CATALOG

**THE ORIGINAL  
EXCLUSIVE DESIGN**



MECHANICAL SPECIALTIES CATALOG 2026

[www.mechspecialties.com](http://www.mechspecialties.com)

[sales@mechspecialties.com](mailto:sales@mechspecialties.com)

# TABLE OF CONTENTS

## ADEC™ Hooks

- 2 ADEC™ TECHNOLOGY
- 3 THE ADEC™ MODEL 250
- 4 THE ADEC™ MODEL 350 (CERTIFIED)
- 5 THE ADEC™ MODEL 650
- 6 THE ADEC™ MODEL 750
- 7 THE ADEC™ MODEL 959

## Certified Hooks

- 8 MD500/600 HEC 202-2
- 9 PRIMARY HOOK MODEL UH-606
- 10 PRIMARY HOOK MODEL 6111
- 11 PRIMARY HOOK MODEL 909

## Remote Cargo Hooks

- 12 REMOTE HOOK MODELS 301/450/601
- 13 REMOTE HOOK MODEL 901/1201
- 14 NEW! MODEL 3001
- 15 THE BIG KAHUNA
  
- 16 WEIGH SYSTEM
- 17 OVERHAUL SERVICE
- 18 ABOUT US/CONTACT INFO



\*ADEC is a Registered Trademark

**MECHANICAL SPECIALTIES CATALOG 2026**

[www.mechspecialties.com](http://www.mechspecialties.com)

[sales@mechspecialties.com](mailto:sales@mechspecialties.com)



The New ADEC  
has arrived!

## Revolutionary Advanced Patented Dual Cargo Hook Design

Introducing the Advanced Dual External Cargo Hook (ADEC™). The ADEC™ is a groundbreaking, patent-pending technology that features two independent, full-load rated cargo hooks integrated into a single, robust housing.

Engineered for human external cargo, high-value loads, and to significantly reduce the risk of inadvertent cargo release, the ADEC™ delivers an unprecedented level of safety for helicopter external load operations.

Designed with efficiency in mind, the ADEC™ hooks are lightweight, cost-effective, and reduce operational and maintenance complexity. ADEC™ hooks require minimal airframe modifications and offer superior safety compared to competitor systems.

ADEC™: The most cost-effective and impactful safety enhancement for your external load operations.

For more information, visit [www.mechspecialties.com](http://www.mechspecialties.com) or contact our sales team at [sales@mechspecialties.com](mailto:sales@mechspecialties.com).

**REINVENTING THE HEC INDUSTRY**

**HEC/HIGH VALUE LOAD**

Patent Pending Design



**MECHANICAL SPECIALTIES CATALOG 2026**  
[www.mechspecialties.com](http://www.mechspecialties.com)  
[sales@mechspecialties.com](mailto:sales@mechspecialties.com)

# MD500 SERIES DUAL HOOK

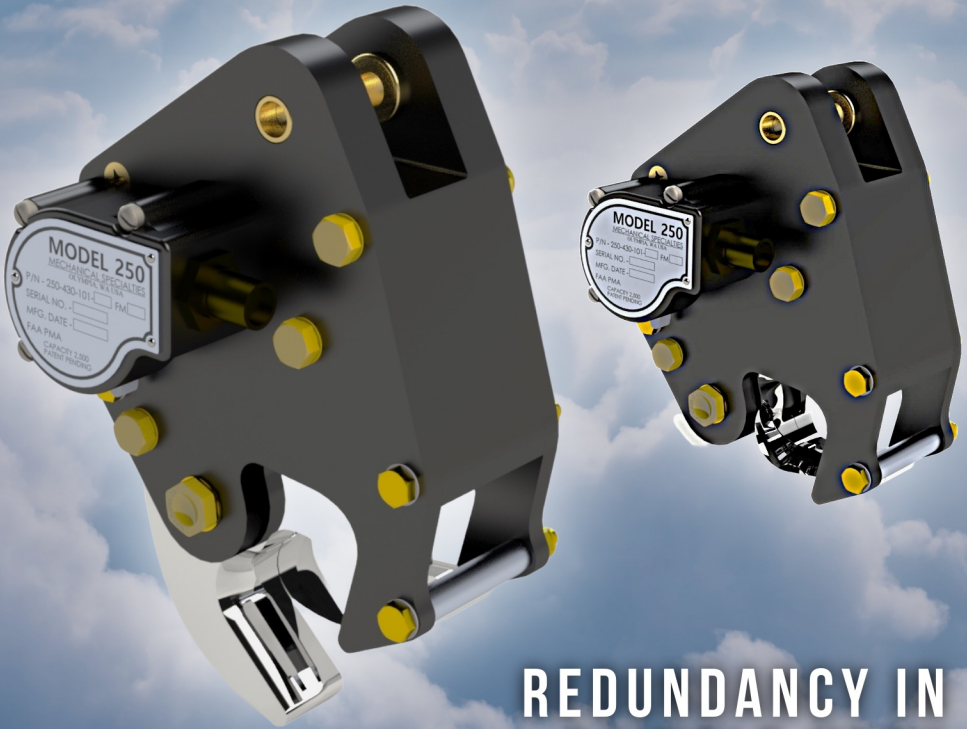
## THE ADEC MODEL 250



WORKING LOAD : 2,500 LBS  
ULTIMATE LOAD: 9,375 LBS

# ADEC™

*Hook*



## REDUNDANCY IN A SINGLE HOOK

STC in  
Process

Patent Pending Design

MECHANICAL SPECIALTIES CATALOG 2026

[www.mechspecialties.com](http://www.mechspecialties.com)

[sales@mechspecialties.com](mailto:sales@mechspecialties.com)

# BELL 407 DUAL HOOK

## THE ADEC MODEL 350



STC: SR11869SE  
Canadian STC: SH25-27

# ADEC

*Hook*

**HEC LOAD: 946 LBS**  
**WORKING LOAD : 2,650 LBS**  
**ULTIMATE LOAD: 9,938 LBS**



**PATENTED NEW ADVANCED  
GENERATION CARGO HOOK**

**NOW WITH  
CANADIAN STC!**



\*ADEC is a Registered Trademark

**MECHANICAL SPECIALTIES CATALOG 2026**

[www.mechspecialties.com](http://www.mechspecialties.com)

[sales@mechspecialties.com](mailto:sales@mechspecialties.com)

# BELL 204/205/212/412 UH-1H DUAL HOOK THE ADEC MODEL 650



HEC LOAD: 1,785 LBS

CAPACITY: 5,000 LBS

RELEASE CAPACITY: 12,500 LBS

ULTIMATE DESIGN LOAD: 18,750 LBS

# HEC

# ADEC<sup>TM</sup>

*Hook*

## STC APPROVAL PENDING



STC in  
Process

AVAILABLE WITH OR  
WITHOUT WEIGH SYSTEM

Patent Pending Design

MECHANICAL SPECIALTIES CATALOG 2026

[www.mechspecialties.com](http://www.mechspecialties.com)

[sales@mechspecialties.com](mailto:sales@mechspecialties.com)

# A-STAR / AS350 AIRBUS H125 DUAL HOOK THE ADEC MODEL 750



# ADEC™

*Hook*

HEC LOAD: 1,102 LBS  
RATED AT 3,086 LBS  
ULTIMATE LOAD: 11,573 LBS



DEVELOPED EXCLUSIVELY FOR THE  
A-STAR/AS350/AIRBUS H125 HOOK TO BE  
**HEC/HIGH VALUE LOAD**

STC in  
Process

Patent Pending Design

MECHANICAL SPECIALTIES CATALOG 2026

[www.mechspecialties.com](http://www.mechspecialties.com)  
[sales@mechspecialties.com](mailto:sales@mechspecialties.com)

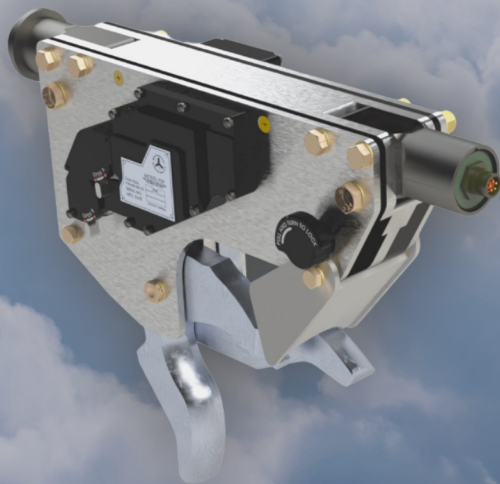
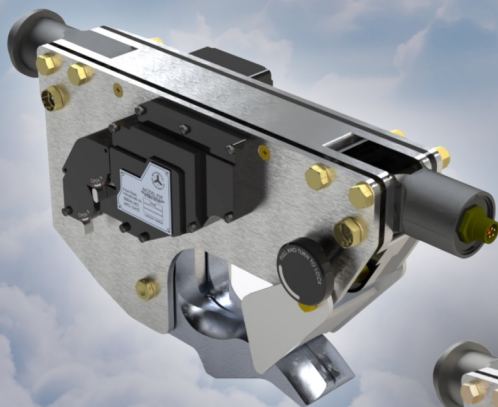
# SIKORSKY UH-60 BLACKHAWK DUAL HOOK THE ADEC MODEL 959



# ADEC™ *Hook*

**THE MOST SECURE UH-60  
CARGO HOOK IN EXISTENCE**

WORKING LOAD : 9,000 LBS  
ULTIMATE LOAD: 33,750 LBS  
RELEASE CAPACITY: 22,500 LBS



**HEC/HIGH  
VALUE LOAD**

Patent Pending Design

STC in  
Process

**MECHANICAL SPECIALTIES CATALOG 2026**

[www.mechspecialties.com](http://www.mechspecialties.com)

[sales@mechspecialties.com](mailto:sales@mechspecialties.com)



# MD500 SERIES

## MD500/600 HEC 202-2

COMPLETE, OUT-OF-THE-BOX SOLUTION  
INCLUDES 50' LONGLINE  
AND RUGGED STORAGE CASE

ASK ABOUT  
OUR TRADE-IN  
PROGRAM!



369/MD500 HEC  
P/N: 369-430-100-001  
FAA STC: SR02713SE

REDUNDANCY  
OVER A SINGLE HOOK



# BELL 204/205/212/412 UH-1H

PRIMARY HOOK MODEL UH-606

FAA STC SR02126SE  
FAA STC SR01946SE

CAPACITY: 6,000 LBS  
RELEASE CAPACITY: 15,000 LBS  
ULTIMATE DESIGN LOAD: 22,500 LBS  
UNIT WEIGHT: 35 LBS



**NEW MOLDED POLYMER  
BUMPER RING**

WITH SUSPENSION  
AVAILABLE WITH OR WITHOUT  
WEIGH SYSTEM

MECHANICAL SPECIALTIES CATALOG 2026  
[www.mechspecialties.com](http://www.mechspecialties.com)  
[sales@mechspecialties.com](mailto:sales@mechspecialties.com)



# SIKORSKY S61N

## PRIMARY HOOK MODEL 6111

FAA STC'S:  
SR00465SE  
SR01738SE  
SR01739SE

CANADIAN STC: SH98-1



CAPACITY: 11,000 LBS  
RELEASE CAPACITY: 27,500 LBS  
ULTIMATE DESIGN LOAD: 41,250 LBS  
MINIMUM RELEASE LOAD: 15 LBS  
UNIT WEIGHT: 24 LBS



**3-YEAR WARRANTY / 3-YEAR/3,000-HOUR TBO**

MECHANICAL SPECIALTIES CATALOG 2026  
[www.mechspecialties.com](http://www.mechspecialties.com)  
[sales@mechspecialties.com](mailto:sales@mechspecialties.com)



# SIKORSKY UH-60 BLACKHAWK

## PRIMARY HOOK MODEL 909

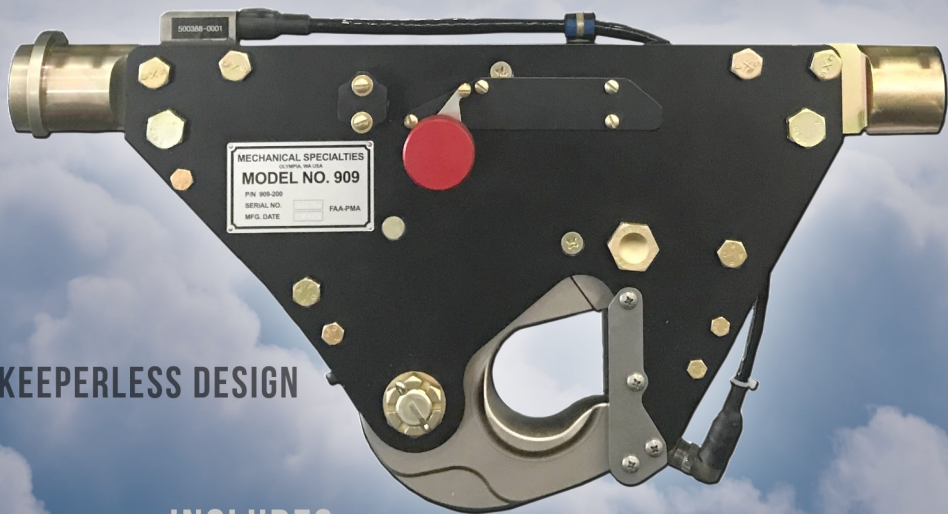
CAPACITY : 9,000 LBS

RELEASE CAPACITY: 22,500 LBS

ULTIMATE DESIGN LOAD: 33,750 LBS

UNIT WEIGHT: 26 LBS

**IN STOCK AVAILABLE FOR  
IMMEDIATE DELIVERY**



**KEEPERLESS DESIGN**

**INCLUDES:**

**LOAD WEIGH SYSTEM**

**1-YEAR WARRANTY / 5-YEAR OVERHAUL**

**FAA STC SR02617SE**

**MECHANICAL SPECIALTIES CATALOG 2026**

[www.mechspecialties.com](http://www.mechspecialties.com)

[sales@mechspecialties.com](mailto:sales@mechspecialties.com)



# REMOTE HOOK CLASSICS

CUSTOM SOLUTIONS FOR EVERY SIZE



## 3,000 LBS - MODEL 301

DESIGNED WITH THE SMALL HELICOPTER IN MIND  
COMPACT SIZE IDEAL FOR SINGLE ENGINE  
USE: GENERAL CONSTRUCTION, LIFTS, AND MORE  
CAPACITY: 3,000 LBS

**STAINLESS STEEL  
DESIGN**

## 4,500 LBS - MODEL 450

RELEASE CAPACITY: 11,250 LBS  
ULTIMATE DESIGN LOAD: 16,875 LBS  
UNIT WEIGHT: 20 LBS  
CAD/CAM DESIGN AND CNC MACHINED FROM STAINLESS  
STEEL WITH A 1-YEAR WARRANTY, 5-YEAR TBO. NO  
EXTERNAL LOAD RESTRICTIONS. FLAT-RATE, IN FACILITY  
OVERHAULS WITH A 48-HOUR AVERAGE TURNAROUND TIME.



## 6,000 LBS - MODEL 601

DESIGNED FOR THE MEDIUM HELICOPTER  
AVAILABLE WITH STANDARD (PICTURED) OR  
EXTENDED GUARD  
USE: GENERAL EXTERNAL LOADS AND MORE.  
CAPACITY: 6,000 LBS



MECHANICAL SPECIALTIES CATALOG 2026

[www.mechspecialties.com](http://www.mechspecialties.com)  
[sales@mechspecialties.com](mailto:sales@mechspecialties.com)



# REMOTE HOOK CLASSICS

CUSTOM SOLUTIONS FOR EVERY SIZE



## 9,000 LBS - MODEL 901

EQUIPPED WITH 601 INTERNALS, THE 901 SWAPS ALUMINUM SIDE PLATES FOR STAINLESS STEEL, AND A SPECIAL LOAD-BEARING TRUNNION FOR REPETITIVE LIFT USE.

AVAILABLE IN STANDARD OR EXTENDED GUARD (PICTURED), OR HOOK ALONE  
CAPACITY: 9,000 LBS

## HEAVY LIFTING

## 12,000 LBS - MODEL 1201

DESIGNED FOR HEAVY LIFT HELICOPTERS  
STAINLESS STEEL SIDE PLATES FOR  
REPETITIVE LIFTS  
USE: CONSTRUCTION, ALL EXTERNAL  
HEAVY LOADS, AND MORE



1201-50A - NO GUARD

120-50S - STANDARD GUARD

1201-50E - EXTENDED GUARD

MECHANICAL SPECIALTIES CATALOG 2026

[www.mechspecialties.com](http://www.mechspecialties.com)

[sales@mechspecialties.com](mailto:sales@mechspecialties.com)



# MODEL 3001

**Integrated  
Electrical Swivel**



**INTEGRATED  
WHEEL**

**ONLY TAKES  
ONE PERSON  
TO MOVE!**

**RATED AT 30,000 LBS  
COMPACT DESIGN  
ADVANCED GUARD STYLE ALLOWS  
EASY MAINTENANCE AND STORAGE**

**AVAILABLE IN KEPPERED OR KEEPERLESS  
LOCKING OR NON-LOCKING KEEPER**

**MECHANICAL SPECIALTIES CATALOG 2026**

[www.mechspecialties.com](http://www.mechspecialties.com)  
[sales@mechspecialties.com](mailto:sales@mechspecialties.com)



# THE BIG KAHUNA



**WORLD'S  
LARGEST REMOTE  
CARGO HOOK!**

**Integrated  
Electrical Swivel**

**RATED AT  
40,000 LBS**

**CALL FOR AVAILABILITY AND PRICING**

**MECHANICAL SPECIALTIES CATALOG 2026**

[www.mechspecialties.com](http://www.mechspecialties.com)

[sales@mechspecialties.com](mailto:sales@mechspecialties.com)



# WEIGH SYSTEM

## MSI HELICOPTER LOAD INDICATOR BELL 204, 205, 212, 412

### ELECTRONICS

- ScaleCore: 6 layer SMD, AVR based w/ Flash Memory and 8kbytes of non-volatile FRAM.
- Power Supply: Input range 10.5-35Vdc.
- Display Board: LED Based: 4 layer SMD, Night Vision Compatible
- Up to 2 RS-232 Comm ports

## Robust and Versatile

Monitor two independent sensor inputs and Provides individual or combined hook loads

Compliant to  
RTCA/DO-160F



MECHANICAL SPECIALTIES CATALOG 2026

[www.mechspecialties.com](http://www.mechspecialties.com)  
[sales@mechspecialties.com](mailto:sales@mechspecialties.com)



# OVERHAUL SERVICE

THE ORIGINAL

HELICOPTER

**PRIMARY AND  
REMOTE HOOKS**

**\$600 FLAT RATE OVERHAUL**

When it comes to overhauls, our meticulous process includes preliminary load test, disassembly, cleaning, inspection and replacement of common hardware, reassembly, load test and re-certification within 1 week. The majority of our hooks go from approval to ready to ship within 48 hours. No other cargo hook manufacturer can match that, and our quick turn around means less down-time for you.

**CALL TODAY: 360-754-7200**

**MECHANICAL SPECIALTIES CATALOG 2026**

[www.mechspecialties.com](http://www.mechspecialties.com)

[sales@mechspecialties.com](mailto:sales@mechspecialties.com)



## WHO WE ARE

MECHANICAL SPECIALTIES HAS BEEN THE LEADER IN MANUFACTURING REMOTE AND PRIMARY HELICOPTER CARGO HOOKS AND ACCESSORIES WORLDWIDE SINCE 1985. WITH OUR UNMATCHED TECHNOLOGICAL EXPERTISE AND INNOVATIVE PRODUCTS, WE ARE ALWAYS READY TO MEET THE EVOLVING NEEDS OF THE INDUSTRY. WE TAKE PRIDE IN PROVIDING EXCEPTIONAL CUSTOMER SERVICE, LIGHTNING-FAST TURN-AROUND TIMES, AND COST-EFFECTIVE OVERHAULS. OUR UNWAVERING COMMITMENT TO CUSTOMER SATISFACTION HAS HELPED US ESTABLISH OURSELVES AS THE TOP CHOICE FOR BUSINESSES IN OUR INDUSTRY.

ALL OUR HOOKS ARE MANUFACTURED IN-HOUSE AND DESIGNED TO BE ULTIMATE-RATED UP TO FIVE TIMES THEIR CAPACITY. THEY HAVE MINIMAL MOVING PARTS, ROBUST CONSTRUCTION, AND A ONE-YEAR WARRANTY. YOU CAN RELY ON US FOR PARTS AND MAINTENANCE, AND MANY ORDERS CAN SHIP THE SAME DAY. CONTACT US TODAY FOR A QUOTE.

1000 85TH AVE SE, OLYMPIA, WA 98501

360-754-7200

MON-FRI 8:00 AM - 5:00 PM PST

SALES@MECHSPECIALTIES.COM

[WWW.MECHSPECIALTIES.COM](http://WWW.MECHSPECIALTIES.COM)

MECHANICAL SPECIALTIES CATALOG 2026

[www.mechspecialties.com](http://www.mechspecialties.com)

[sales@mechspecialties.com](mailto:sales@mechspecialties.com)

ABOUT US

# COMING SOON.....

Future ADEC and in process cargo hook programs:

BELL 505

BELL 429

BELL 206B, L

BELL 205, 2012, 412

MD 500/530/600

KAMAN KMAX

BOEING CH-47

SIKORSKY UH-60

SIKORSKY S-61

SIKORSKY CH-53

AIRBUS H-125

AIRBUS H135/145/225

MORE TO BE ANNOUNCED IN 2027...



Patent Pending Design

\*ADEC is a Registered Trademark

**MECHANICAL SPECIALTIES CATALOG 2026**

[www.mechspecialties.com](http://www.mechspecialties.com)

[sales@mechspecialties.com](mailto:sales@mechspecialties.com)