

BL59A12/BL59S12

PHOTOELECTRIC SMOKE DETECTOR IC

1. Product description

1.1 Basic function:

BL59A12 (BL59S12) is a CMOS LSI used for smoke detection. Ultra-low power analog and digital circuits are contained in it. Combined with an IR photoelectric chamber, this IC is used to detect smoke through receiving light scattered by tiny smoke particles going into the chamber. When smoke is detected, a burst of alarm sounds are generated by an external piezoelectric buzzer driven by the push-pull output of this IC.

1.2. Applications:

Smoke detection system.

2. Features:

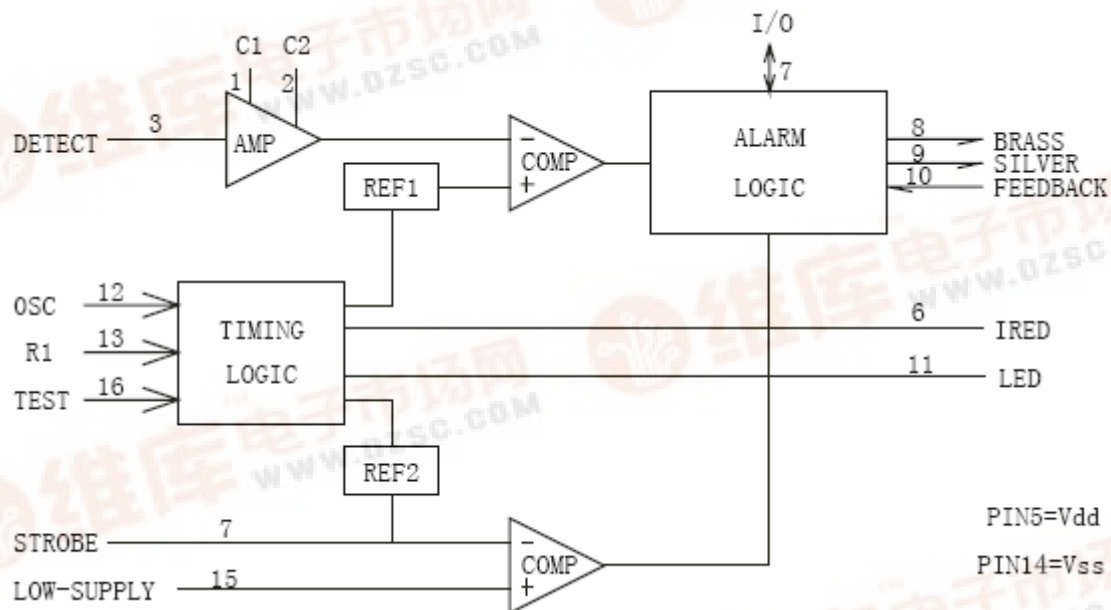
Power supply range: 6V ~ 12V

Average supply current: 8uA

Operating temperature range: -10 ~ 60°C

Ideal for battery powered applications.

3. Block diagram of this IC



4.Pin assignment

C1	1	16	Test
C2	2	15	Low-Supply
Detect	3	14	Vss
Strobe	4	13	R1
Vdd	5	12	Osc
IRED	6	11	LED
I/O	7	10	Feedback
Brass	8	9	Silver

5.Pin description

Pin No.	Symbol	Input/output	Functions	
1,2	C1, C2		External capacitor connection	By connecting external capacitor, a voltage feedback amplifier is formed. The gain of it is determined by capacitor's value.
3	DETECT	I	Detecting input	Connect a photodiode to supply a signal to the internal comparator.
4	STROBE	O	Strobe	A strobe voltage output, referenced to VDD. When output = VDD -5V, it enables other internal circuits.
5,14	VDD, GND		Power supply	To supply the power
6	IRED	O	Output signal	To output pulse drive signal for external NPN transistor which drives a IR photodiode.
7	I/O		Input/output	It can be used to connect up to 40 detectors to make auxiliary alarm, remote alarm, auto-dialer...
8,9	BRASS, SILVER	O	Push-pull driver's output	Push-pull driver outputs signal to drive external buzzer to alarm, and to show various operation states.
10	FEEDBACK	I	Feedback terminal	To feed 'silver' signal back to the push-pull output driver circuit's input
11	LED	O	Output signal	It is an open drain output, can drive LED directly. The LED can tell the detector's various operation states.
12	OSC	I	Oscillator's input	Connected to external R and C, which determine the internal oscillator's frequency.
13	R1		External R and C connecting terminal	Connected to external R and C, which determine the output pulse period of IRED.
15	LOW-SUPPLY	I	Low voltage detecting input	It connected to external resistor divider between VDD and LED to get a low supply alarm threshold voltage
16	TEST	I	Test terminal	This pin is normally low by an internal pull-down device. When it is set high, the IC enters into a simulated-smoke condition. When floating, this pin comes back to VSS (low) by pull-down device.

6. Function of this IC:

6.1. The variable gain photoelectric amplifier is directly connected to IR detector (photodiode). The amplifier's gain is determined by external capacitors C1 and C2. During standby, the amplifier's gain is at minimum. Under smoke condition, the amplifier's gain is at medium. Entering into test condition, the amplifier's gain is at maximum. Additionally, under standby state, if the special supervisory circuit is activated to check the chamber's sensitivity, the amplifier's gain is also at its maximum.

6.2. Using VSS as its reference, the I/O pin can be used to connect up to 40 units together. When I/O pin is used as an input, its on-chip pull-down resistor can prevent noise from entering into the unit. Under smoke status, the unit activates I/O driver to send a signal to its interconnected units to activate remote alarm.

6.3. Display method: LED (connected to LED pin) flashing combined with alarm sound, indicates a LOCAL SMOKE condition. Only pulsating alarm sound without LED flashing indicates a REMOTE SMOKE condition.

7. Specifications:

7.1. Absolute maximum ratings(VSS as reference)

Symbol	Parameter	Limits	Units
VDD	Supply voltage	-0.5 ~ +12	
VIN DC input voltage	C1, C2, Detect	-0.25 ~ Vdd+0.25	V
	OSC, low-supply trip	-0.25 ~ Vdd+0.25	
	I/O	-0.25 ~ Vdd+0.25	
	Feedback	-15 ~ +15	
	Test	-1.0 ~ Vdd+0.25	
IIN	DC input current	±10	mA
IOUT	DC output current	±25	mA
IDD	Supply current	+25/-150	mA
PD	Power dissipation in still air, 5Sec	1200	mW
	Continuous	350	
TSTG	Storage temperature	-55 ~ 125	°C

7.2 DC Electrical characteristics(Ta=25°C,VSS as reference, unless otherwise indicated)

Symbol	Parameters	Test condition	VDD	Min.	Max.	Unit
VDD	Power supply voltage range		--	6.0	12	V
VTH	Supply threshold voltage, Low supply alarm voltage	Low supply trip voltage VIN = VDD/3		6.5	7.8	V
IDD	Average supply current	Standby, (See sample figure)	12	--	8	uA
iDD	Supply peak current	Strobe on, IRED off (See sample figure)	12	--	2.0	mA
VIL	Low level input voltage, I/O Feedback Test		9.0		1.5	V
			9.0		2.7	
			9.0		7.0	
VIH	High level input voltage I/O Feedback Test		9.0	3.2		V
			9.0	6.3		
			9.0	8.5		
IIN	Input current OSC, Detect Low supply trip Feedback	VIN = VSS or VDD	12		±100	nA
		VIN = VSS or VDD	12		±100	
		VIN = VSS or VDD	12		±100	
IIL	Low level input current TEST	VIN = VSS	12		-1	uA
IIH	Pull-down current Test I/O	VIN = VDD				uA
		No local smoke, VIN = VDD	9.0	0.5	10	
		No local smoke, VIN = VDD	9.0	25	100	
		No local smoke, VIN = 17V	12	--	140	

VOL	Low level output voltage, LED Silver, Brass		IOUT = 10mA IOUT = 16mA	6.5 6.5		0.6 1.0	V
VOH	High level output voltage Silver, Brass		IOUT = -16mA	6.5	5.5	-	V
VOUT	Output voltage (See pin description)	Strobe	Inactive, IOUT = -1uA Active, IOUT = 100uA to 500uA (load regulation)	- 9.0	VDD-0.1 VDD-4.4	- Vdd-5.6	V
		IRED	Inactive, IOUT = -1uA Active, IOUT = 6uA (load regulation)	- 9.0	- 2.25	0.1 3.75	
IOH	High-level output current, I/O		Local smoke, VOUT = 4.5V	6.5	-4	--	mA
			Local smoke, VOUT = VSS (short-circuit current)	12	--	-16	
IOZ	Output off-state leak current, LED		VOUT = VSS or VDD	12	-	±1	uA
VIC	Common-mode voltage range C1, C2, Detect		Local smoke, Pushbutton test or chamber sensitivity test	--	VDD -4	VDD -2	V
VREF	Internal reference voltage of smoke comparator		Local smoke, pushbutton test or chamber sensitivity test	--	VDD-3.08	VDD-3.92	V

7.3 AC ELECTRICAL CHARACTERISTICS

(T_A = 25°C, V_{DD} = 9.0 V, Component Values: R1 = 100.0 K, C3 = 1500.0 pF, R2 = 7.5 MΩ)

Symbol	Parameters	Test condition	Clocks	Min*	Typ**	Max*	Unit
1/f _{osc}	Oscillator Period	Free-Running Sawtooth Measured at Pin 12	1	7.0	7.9	8.6	ms
t _{LED}	LED Pulse Period	No Local Smoke, and No Remote Smoke	4096	28.8	32.4	35.2	s
		Remote Smoke, but No Local Smoke	-	Extinguished			
		Local Smoke or Pushbutton Test	64	0.45	0.5	0.55	
t _{w(LED)} , t _{w(stb)}	LED Pulse Width and Strobe Pulse Width		1	7.0	-	8.6	ms
t _{IRED}	IRED Pulse Period	Smoke Test	1024	7.2	8.1	8.8	s
		Chamber Sensitivity Test, without Local Smoke	4096	28.8	32.4	35.2	
		Pushbutton Test	128	0.9	1.0	1.1	
t _{w(IRED)}	IRED Pulse		Tf*	94		116	us

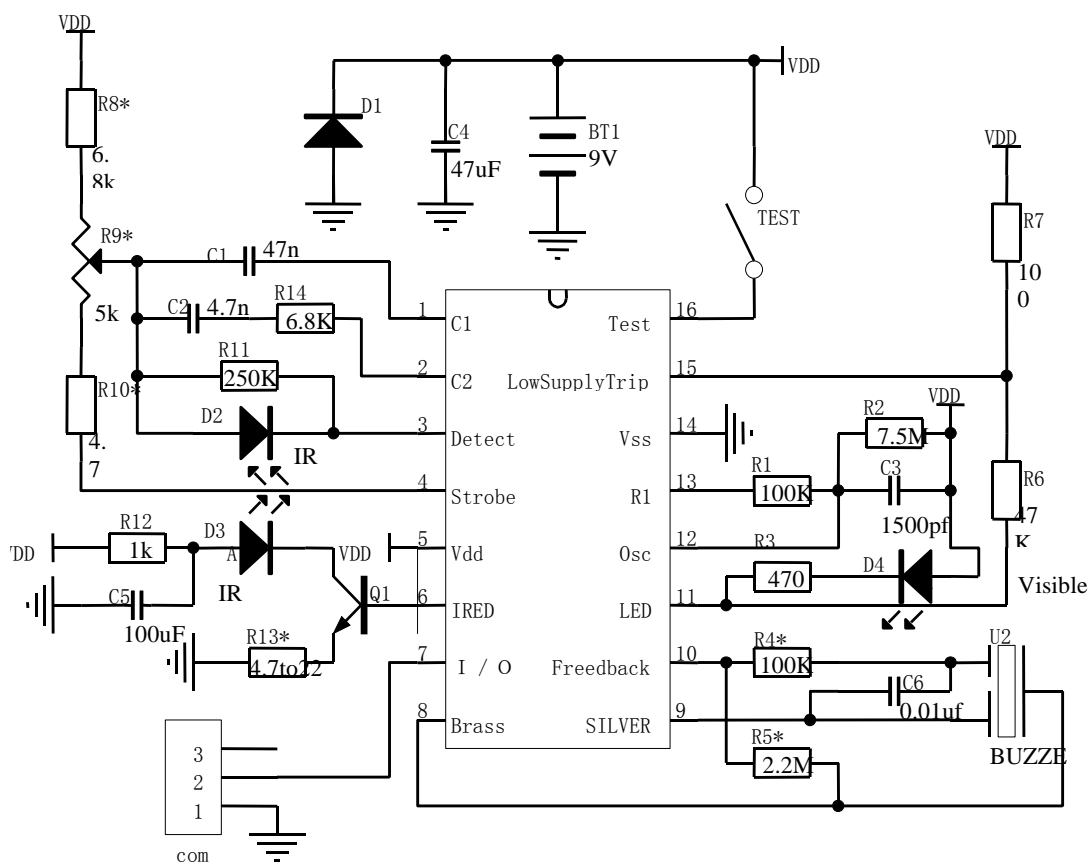
	Width						
t_r	IREC Rise Time		-	-		30	us
t_f	IREC Fail Time		-	-		200	us
t_{on}	Silver and Brass Temporal Modulation Pulse	Low Supply or Degraded Chamber Sensitivity	64	0.45	0.5	0.55	s
t_{off}				0.45	0.5	0.55	
t_{offd}				192	1.35	1.52	
t_{CH}	Silver and Brass Chirp Pulse Period		4096	28.8	32.4	35.2	s
t_{wCH}	Silver and Brass Chirp Pulse Width		1	7.0	7.9	8.6	ms
t_{RR}	Rising Edge on I/O to Smoke Alarm Response Time	Remote Smoke, No Local Smoke	-	-	2!	-	ms
t_{stb}	Strobe Out Pulse Period	Smoke Test	1024	7.2	8.1	8.8	s
		Chamber Sensitivity Test, without Local Smoke	4096	28.8	32.4	35.2	
		Low Supply Test, Without Local Smoke	4096	28.8	32.4	35.2	
		Pushbutton Test	-	-	1	-	

*Oscillator period $T (= T_r + T_f)$ is determined by the external components R_1 , R_2 , and C_3 where
 $T_r = (0.6931) R_2 * C_3$ and $T_f = (0.6931) R_1 * C_3$.

The other timing characteristics are some multiple of the oscillator timing as shown in the table.

**Typicals are not guaranteed.

Time is typical - depends on what point in cycle signal is applied.

8. Application sample figure

9. Calibration:

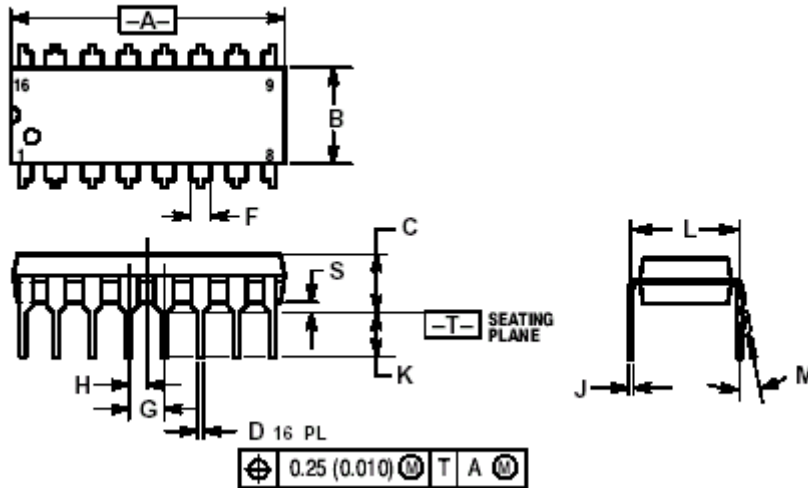
To enter calibration mode, pin16 (TEST) must be below VSS, pulling more than 100uA continuously out of the pin for at least one OSC cycle. To exit this mode, the TEST pin is floated at least one OSC cycle.

Table. Configuration of pins in the calibration mode

Description	PIN	Comments
I/O	7	Forcing this pin = VDD, places photo amp's output on pin2 when pin15= VDD, or on pin1 when pin15= VSS.
Low-supply	15	Low: normal gain of photo amplifier on pin1. High: supervisory gain on pin2.
Feedback	10	When pin15=low, driving it high enables gain with a hysteresis in the photo amp.
OSC	12	It equals to internal clock.
Silver	9	This pin becomes smoke comparator's output. Positive pulses indicate that smoke has been detected. A static low level indicates no smoke.
Brass	8	This pin becomes the smoke integrator's output. Static high level means two consecutive smoke detections. Static low level means two no-detections.

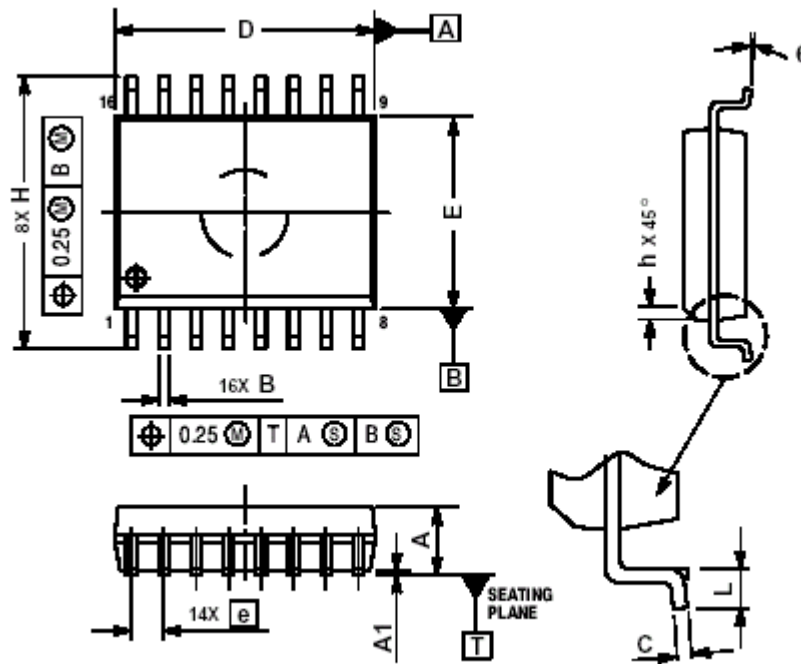
10. Package

BL59A12



DIM	INCHES		MILLIMETERS	
	MIN	MAX	MIN	MAX
A	0.740	0.770	18.80	19.55
B	0.250	0.270	6.35	6.85
C	0.145	0.175	3.69	4.44
D	0.015	0.021	0.39	0.53
F	0.040	0.70	1.02	1.77
G	0.100 BSC		2.54 BSC	
H	0.050 BSC		1.27 BSC	
J	0.008	0.015	0.21	0.38
K	0.110	0.130	2.80	3.30
L	0.295	0.305	7.50	7.74
M	0°	10°	0°	10°
S	0.020	0.040	0.51	1.01

BL59S12



MILLIMETERS		
DIM	MIN	MAX
A	2.35	2.65
A1	0.10	0.25
B	0.35	0.49
C	0.23	0.32
D	10.15	10.45
E	7.40	7.60
e	1.27 BSC	
H	10.05	10.55
h	0.25	0.75
L	0.50	0.90
θ	0°	7°