



Micro Commercial Components  
20736 Marilla Street Chatsworth  
CA 91311  
Phone: (818) 701-4933  
Fax: (818) 701-4939

# 2SC2371

## NPN Silicon Power Transistors

### Features

- With TO-126 package
- Video applications

### Maximum Ratings

Symbol	Rating	Rating	Unit
$V_{CE0}$	Collector-Emitter Voltage	300	V
$V_{CBO}$	Collector-Base Voltage	300	V
$V_{EBO}$	Emitter-Base Voltage	7.0	V
$I_C$	Collector Current	0.1	A
$P_C$	Collector power dissipation	10	W
$T_J$	Junction Temperature	-55 to +150	$^{\circ}C$
$T_{STG}$	Storage Temperature	-55 to +150	$^{\circ}C$

### Electrical Characteristics @ 25°C Unless Otherwise Specified

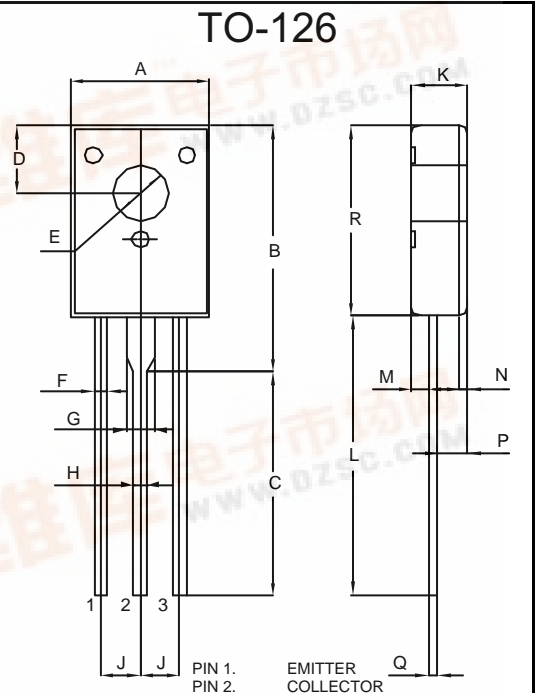
Symbol	Parameter	Min	Max	Units
--------	-----------	-----	-----	-------

#### OFF CHARACTERISTICS

$V_{(BR)CEO}$	Collector-Emitter Breakdown Voltage ( $I_C=1.0mA$ , $I_B=0$ )	300	---	Vdc
$I_{CBO}$	Collector-Base Cutoff Current ( $V_{CB}=200Vdc$ , $I_E=0$ )	---	0.1	$\mu A$
$I_{EBO}$	Emitter-Base Cutoff Current ( $V_{EB}=7.0Vdc$ , $I_C=0$ )	---	0.1	$mA$

#### ON CHARACTERISTICS

$h_{FE}$	Forward Current Transfer ratio ( $I_C=10mA$ , $V_{CE}=10Vdc$ )	40	250	---
$V_{CE(sat)}$	Collector-Emitter Saturation Voltage ( $I_C=30mA$ , $I_B=3.0mA$ )	---	1.5	Vdc



DIM	INCHES		MM		NOTE
	MIN	MAX	MIN	MAX	
A	0.30	0.33	7.70	8.30	
B		0.56		14.20	
C	0.50	0.53	12.76	13.36	
D	0.15	0.16	3.80	4.0	
E	0.12	0.13	3.10	3.30	
F	0.025	0.033	0.65	0.85	
G	0.06	0.07	1.50	1.70	
H	0.025	0.033	0.65	0.85	
J	0.08	0.10	2.08	2.48	
K	0.12	0.14	3.05	3.45	
L	0.63	0.64	15.90	16.30	
M		0.04		1.0	
N		0.02		0.5	
P	0.06	0.08	1.55	1.95	
Q	0.018	0.023	0.45	0.60	
R	0.43	0.44	10.80	11.20	

