

*Olympia*

**SPARE PARTS' CATALOG AND PRICE LIST FOR  
STANDARD TYPEWRITERS MODEL SG1**

EDITION JAN. 1, 1961



**Available with**

10" 12" 13" 15" 18" 24" 35"

**interchangeable carriages**

JANUARY 1961 EDITION

I N T R O D U C T I O N

This new edition incorporates all changes made on the OLYMPIA STANDARD TYPEWRITER MODEL SG-1 since the last catalog was issued.

IMPORTANT: In order to receive fast and accurate service give full part number as shown in this catalog including diagonals, dashes, and periods since many parts are differentiated only by these marks. Always compare part numbers on illustrations with part numbers in description. Parts depending on spacing are shown on illustrations for pica (10 pitch). Part numbers for other spacings (11, 12, 14, and 17 pitch) are different and can be found in the description below the pica part number. Numbers for the same part may also be different depending on the serial number of the machine. Please note that part numbers are different for those parts which depend on the length of the carriage. These different part numbers can be found on the illustrations for the various carriage lengths. Parts which are the same for all carriage lengths are shown on pages 24 to 30

Explanation of Part Numbers:

The components of each part number have a specific meaning. Thus the first two digits indicate

08/.....parts for carriages, all sizes, Model SG-1  
07/.....parts for base, Model SG-1  
06/.....parts for portable typewriter, Model SM  
05/.....parts for lightweight portable, Models SF, and SF-S

The digits following the diagonal line indicate the basic part.

The digits following the dash indicate spacing. Thus

001 indicates pica 10 pitch, 2.6 mm spacing  
035 indicates elite 11 pitch, 2.3 mm spacing  
045 indicates diamond 14 pitch, 1.8 mm spacing  
055 indicates elite 12 pitch, 2.11 mm spacing  
065 indicates manuscript 17 pitch, 1.5 mm spacing

The digit after the period indicates whether the part consists of one or more parts. Thus

.1 indicates 1 part  
.2 indicates 2 or more parts

The last two digits following the second diagonal line indicate a change of the same part mostly depending on the serial number of the machine.

Example: Part Number 08/2003-035.2/03

08/ indicates that this is a part for an SG-1 carriage  
08/2003 indicates that this is a basic part (in this case, margin stop rack)  
08/2003-035 indicates that this is an elite 11 pitch part  
08/2003-035.2 indicates that this part consists of two parts  
08/2003-035.2/03 indicates that this part belongs to a machine with a serial number higher than 28 000

Standard Parts:

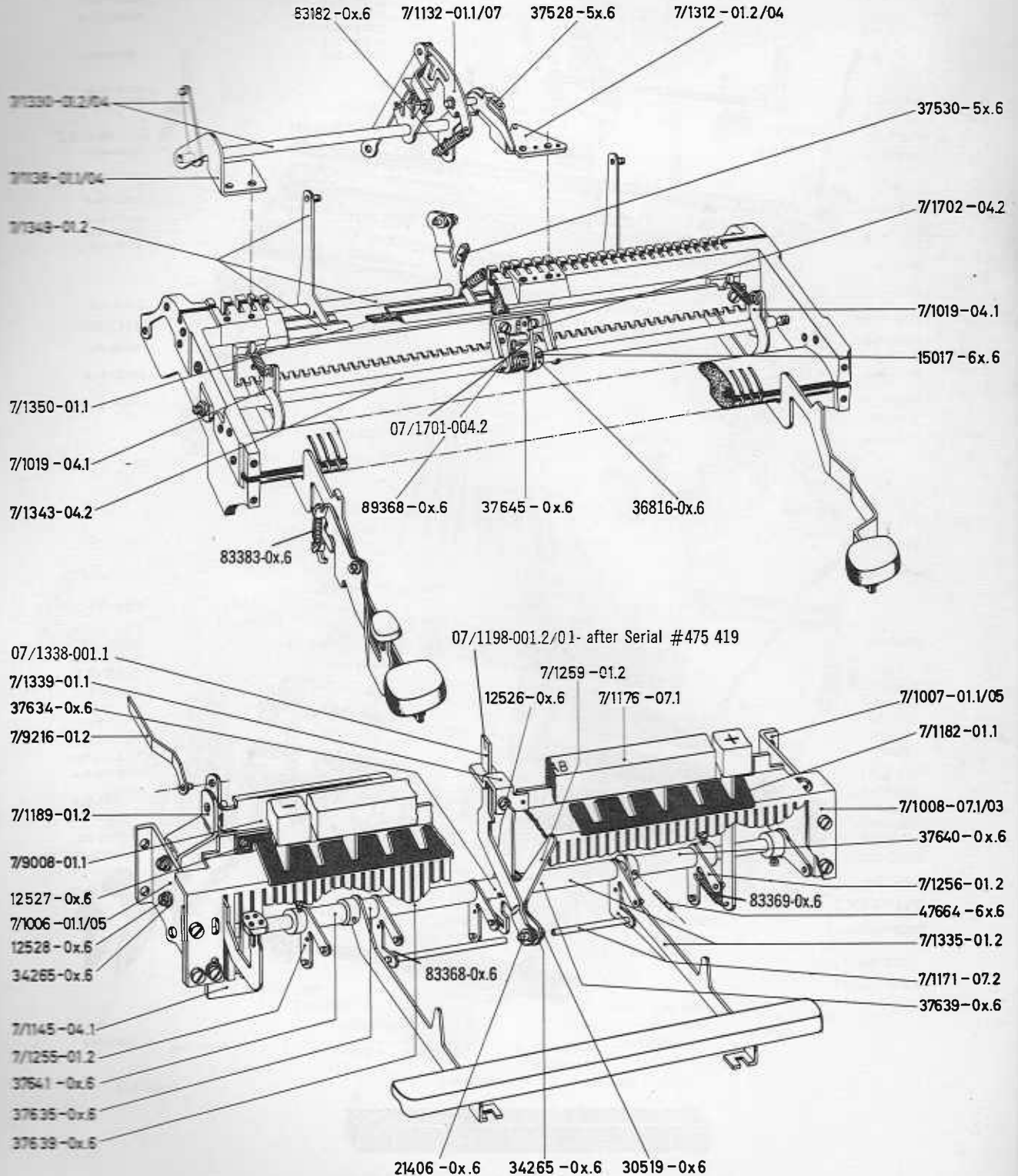
For the so-called "Standard Parts" such as screws, nuts, springs, washers, pins, etc. the suffixes are  
...0x.6, ...5x.6, ...6x.6 ...etc.



*Olympia*  
STANDARD SGI

BASE

Key-set bar tabulator Double-sided shift release



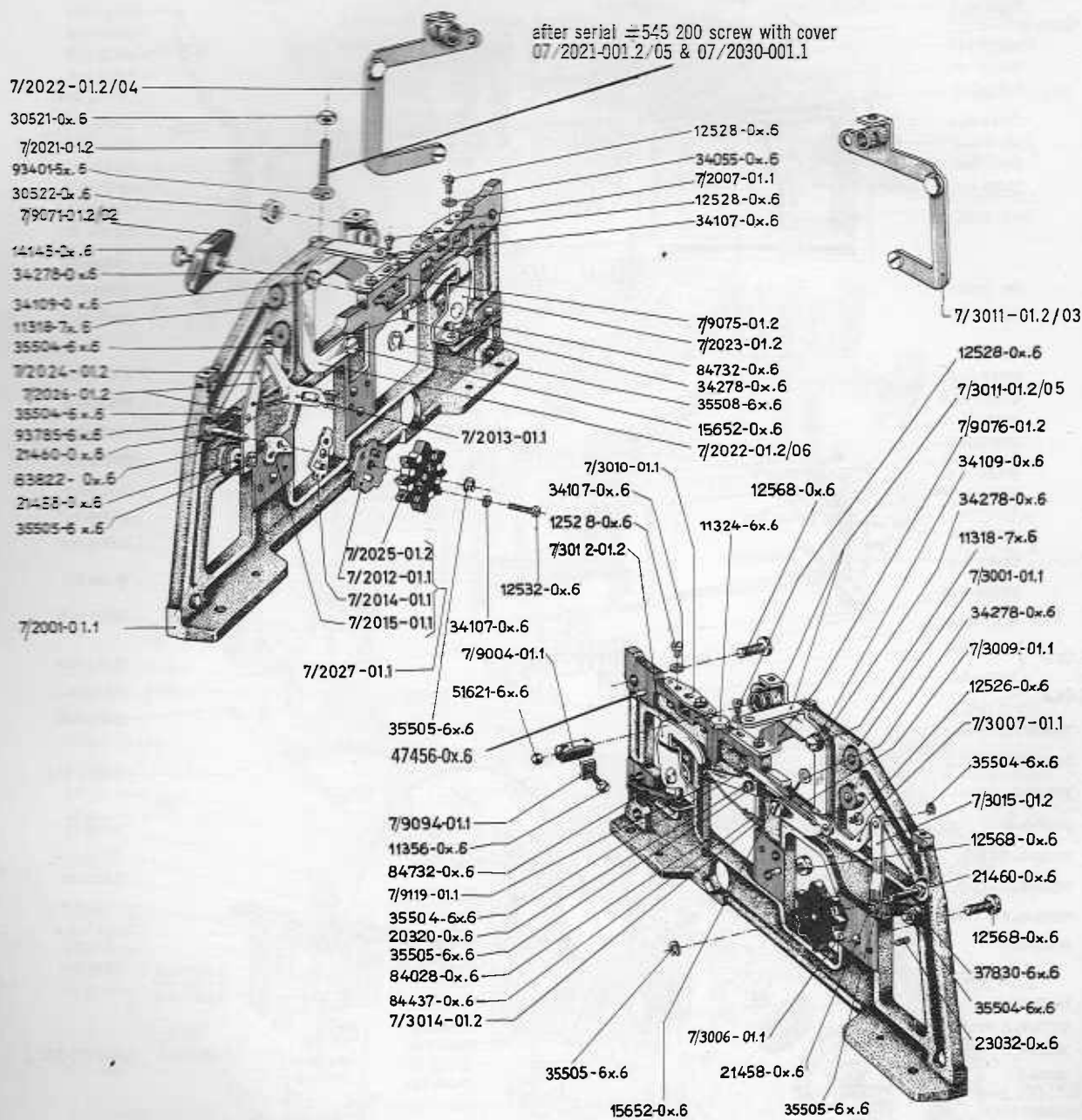
Check part number on drawings with description for spacing and possible changes, depending on serial number

# Olympia

## STANDARD SGI

BASE

Side plate, left and right



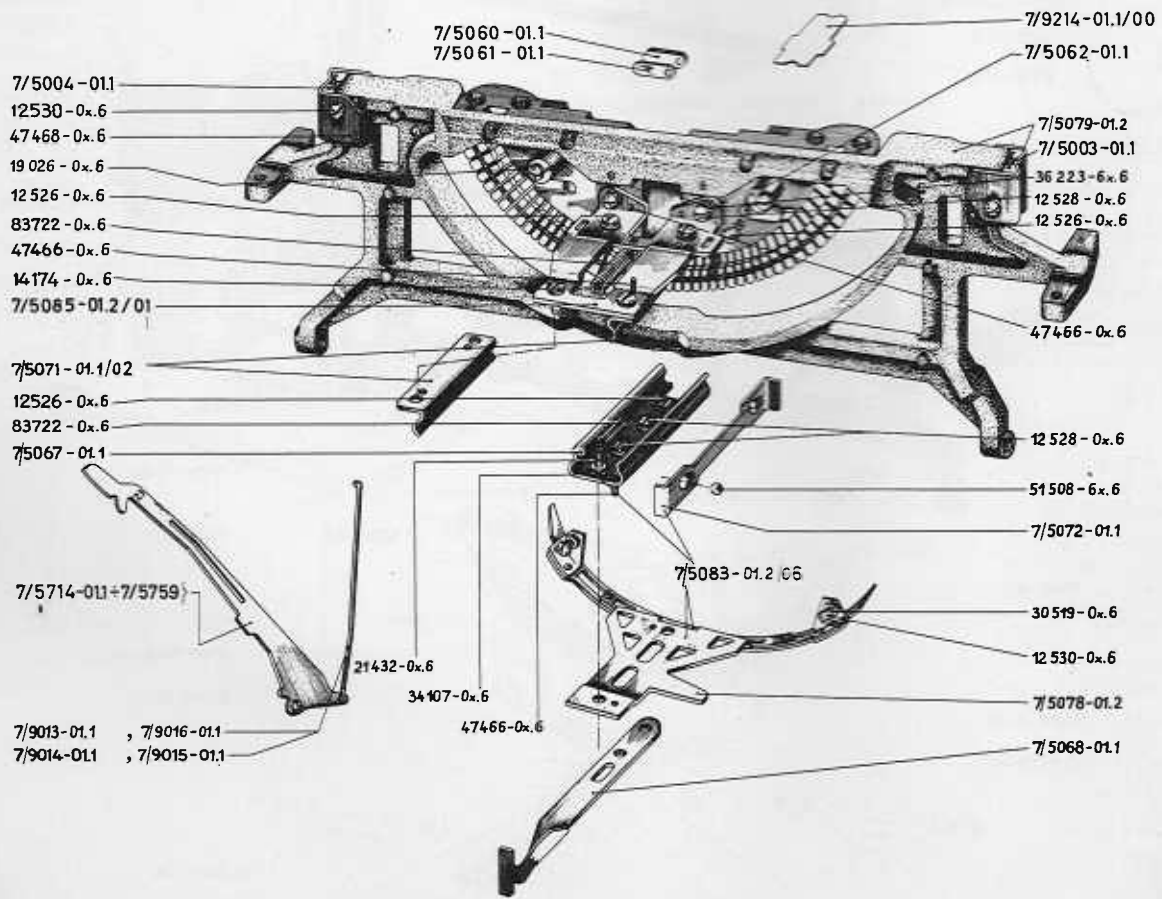
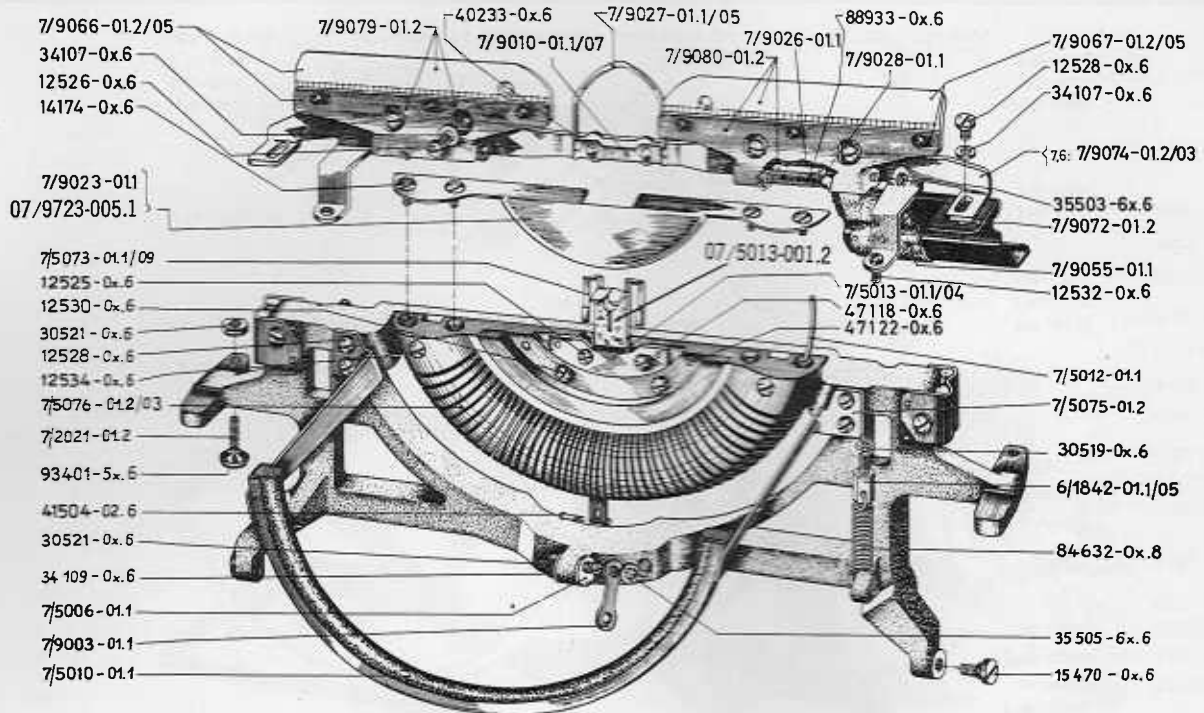


# Olympia

## STANDARD SGI

BASE

Segment frame



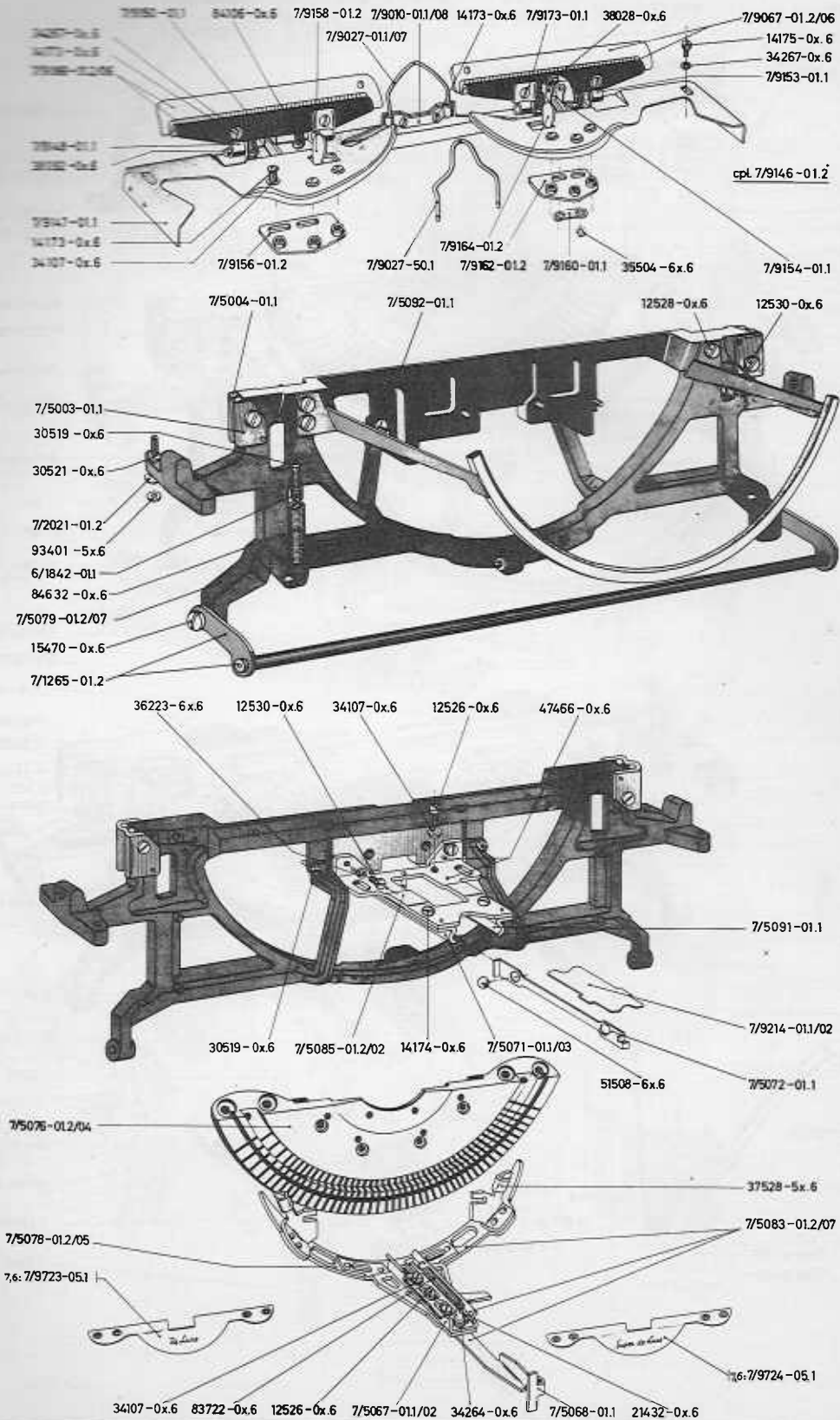
Check part number on drawings with description for spacing and possible changes, depending on serial number

*Olympia*  
STANDARD SGI

BASE

Segment bracket

2nd style



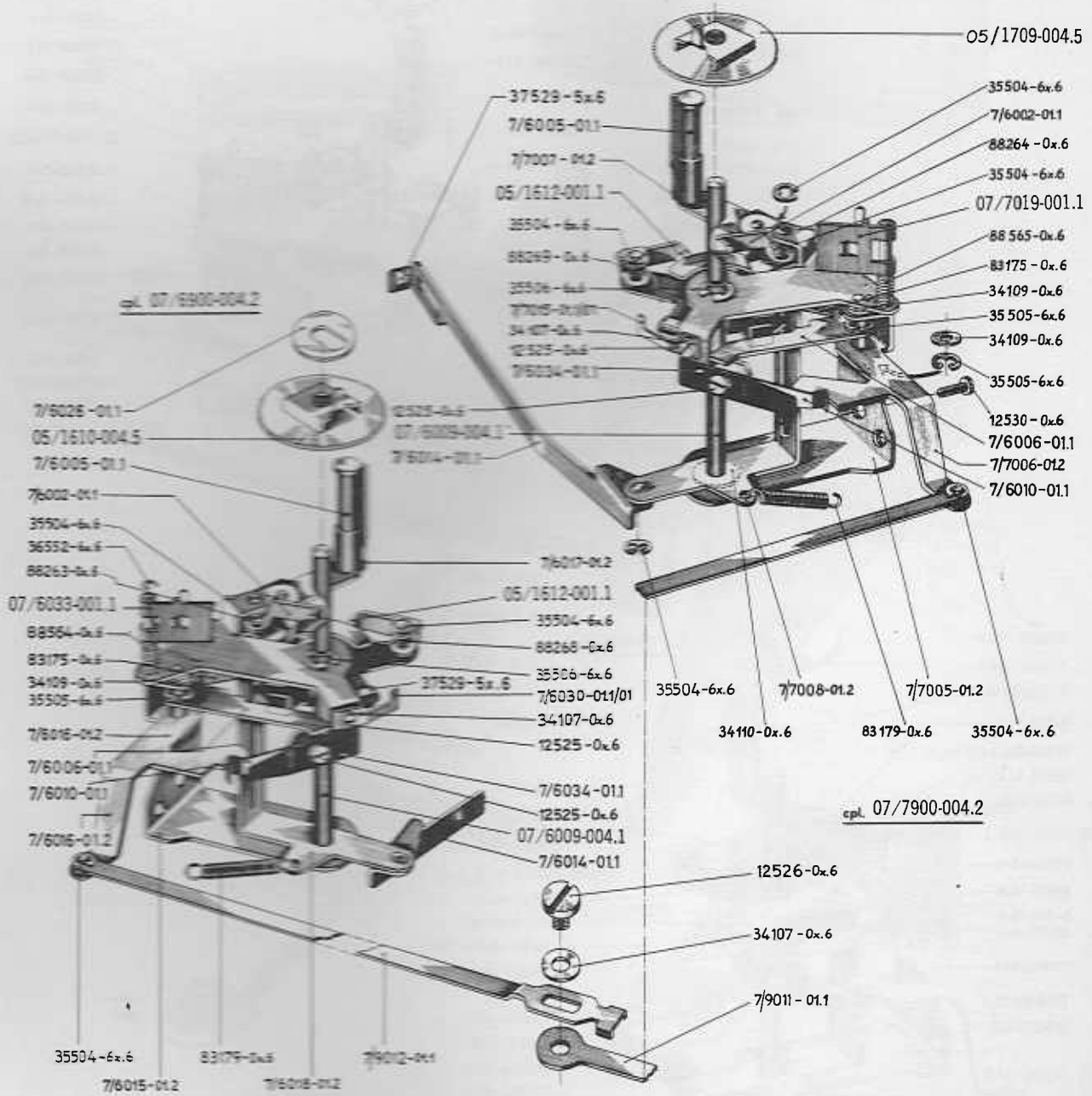
Check part number on drawings with description for spacing and possible changes, depending on serial number

# Olympia

## STANDARD SGI

BASE

Ribbon feed mechanism

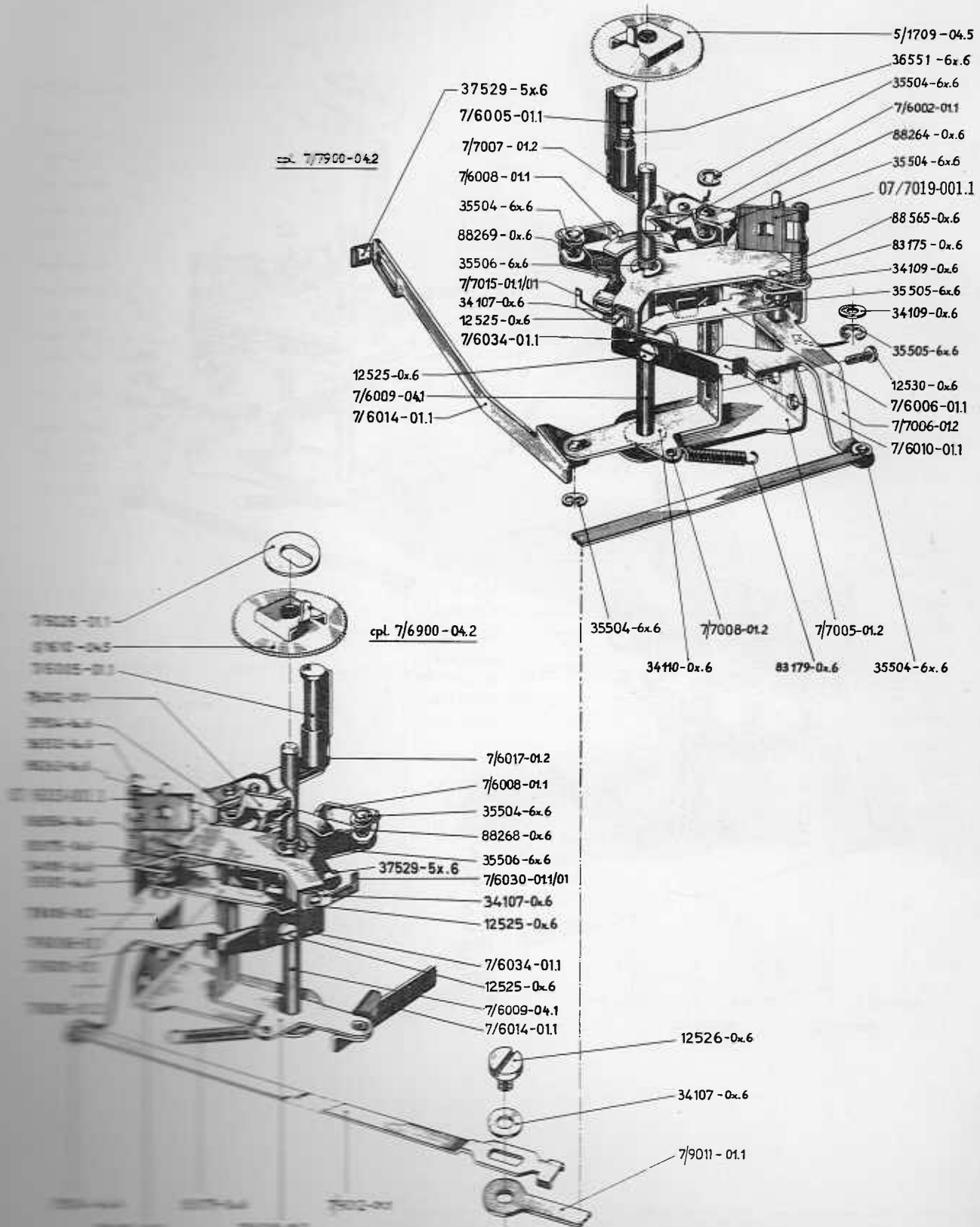


Check part number on drawings with description for spacing and possible changes, depending on serial number

*Olympia*  
STANDARD SGI

BASE

Ribbon-feed mechanism 2nd style



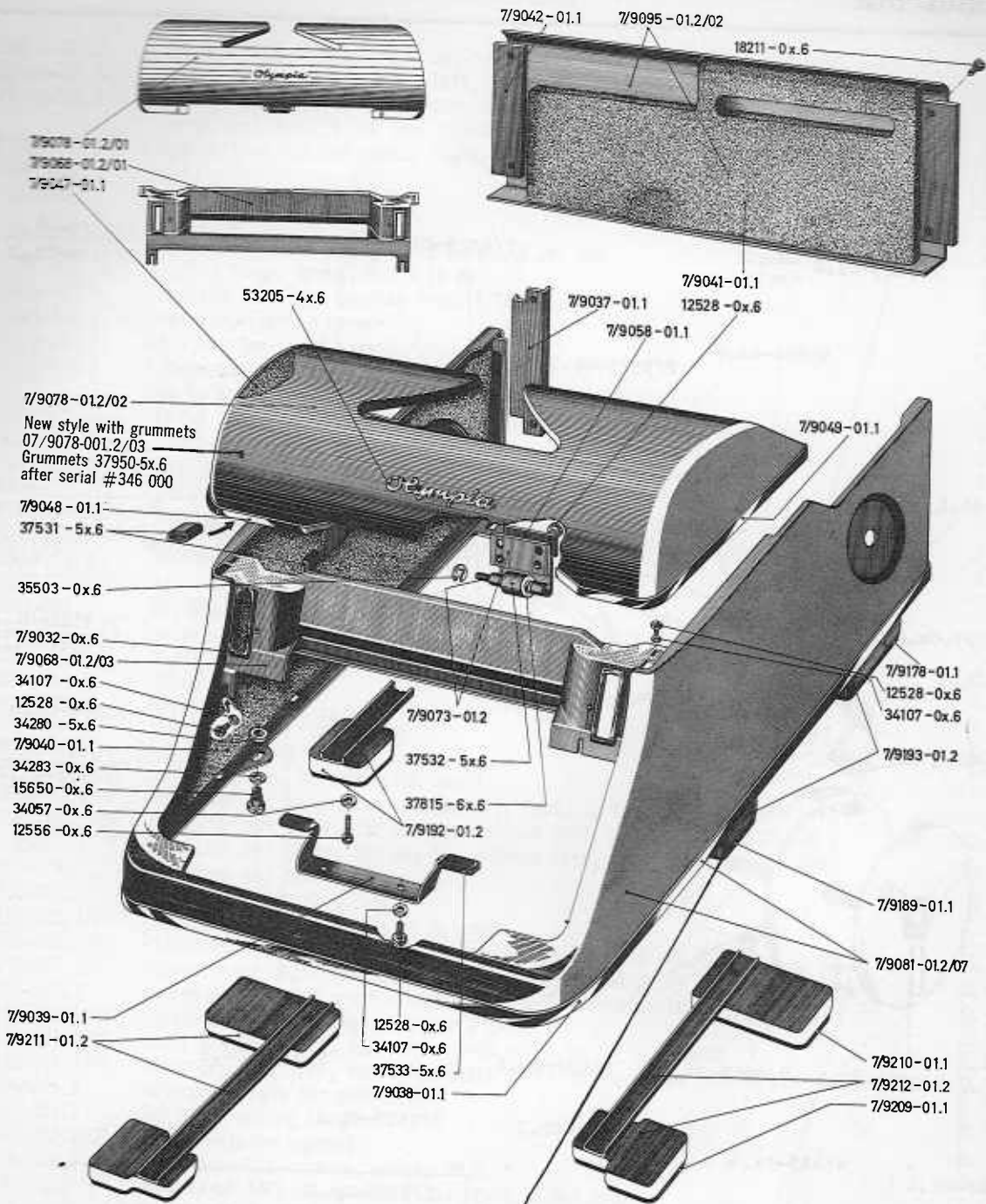
Refer to parts list or drawings with description for spacing and possible changes, depending on serial number

# Olympia

## STANDARD SGI

BASE

Cover plates



New style feet for 9½", 12", 13", 15" & 18"  
machines for front and rear the same parts  
metal plate 07/9177-001.1; rubber foot  
07/9178-001.1/07 after serial #545 000

Check part number on drawings with description for spacing and possible changes, depending on serial number

# Olympia STANDARD PARTS

PART NO.	DESCRIPTION	PRICE
01/2641-001.1	Silencer for segment shift spring	0.08
05/1610-004.5	Ribbon feed ratchet wheel, left, after serial # 238 500	0.36
05/1612-001.1	Ribbon feed pawl left Or right, after serial # 238 500 up to serial # 238 500 use 07/6008-001.1	0.24
05/1709-004.5	Ribbon feed ratchet wheel, right, after serial # 238 500	0.36
06/1095-001.1	Bell	0.12
06/1143-001.1	Key top spring container	0.01
06/1221-001.2	Space bar	0.80
06/1374-001.1	Plate for rubber foot, up to serial # 147 500	0.12
06/1842-001.1/05	Spring hanger screw, M 3 x 10 mm	0.07
07/1001-001.1	Key and sub lever bearing frame ( Casting)	9.60
07/1003-001.1	Key lever spring hanger	0.16
07/1004-001.1	Bracket for shift axel	0.16
07/1005-001.2	Space bar axel after serial # 475 419 up to serial 475 419 use part # 07/1335-001.2	2.92
07/1006-001.1/05	Front side plate, left	0.36
07/1007-001.1/05	Front side plate, right	0.36
07/1008-007.1/02	Key lever comb for set tabulator, up to serial # 103 500	1.60
07/1008-007.1/03	Key lever comb for set tabulator, after serial # 103 500	1.60
07/1008-001.1/05	Key lever comb for decimal tabulator, up to serial # 103 500	1.60
07/1008-001.1/06	Key lever comb for decimal tabulator, after serial # 103 500	1.60
07/1009-001.1	Key lever pad rail	0.48
07/1010-001.1	Key lever pad (rubber)	0.36
07/1011-001.1	Key and sub lever fulcrum wire	0.36
07/1015-001.1	Shift key spring container	0.01
07/1017-001.1	Shift lock lever	0.24
07/1018-001.1	Shift lock latch	0.16
07/1019-004.1	Shift connecting link	0.08
07/1071-001.1	Key lever lock flat spring	0.02
07/1072-001.1	Space bar shaft	0.44
07/1077-001.1/01	Spring hanger, for space bar shaft	1.32
07/1078-001.1/04	Tabulator set lever, for key top with foot, up to serial # 28 900	0.12
07/1078-001.1/06	Tabulator set lever, for key top without foot, after serial # 28 900	0.12
07/1078-001.1/13	Tabulator set lever, for key top without foot, after serial # 450 000	0.12
07/1079-001.1	Tabulator key stop rail	0.12
07/1130-001.1	Sub lever connecting link	0.08
07/1132-001.1/01	Ribbon color shift arm (slot 3.2 mm)	0.36
07/1132-001.1/03	Ribbon color shift arm (slot 3.6 mm) up to serial # 244 100	0.36
07/1132-001.1/07	Ribbon color shift arm (slot 3.6 mm) after serial # 244 100	0.36
07/1132-007.1	Ribbon color shift arm for bulletin & script type style	0.36
07/1134-001.1/02	Ribbon lift connecting arm (hole $\emptyset$ 3 mm)	0.16
07/1138-001.1/03	Shaft bracket, left, for color shift up to serial # 214 000	0.16
07/1138-001.1/04	Shaft bracket, left, for color shift after serial # 214 000	0.16
07/1145-004.1	Adjusting plate for shift lock	0.20
07/1146-001.1	Sub lever spring hanger	0.32
07/1149-001.1/07	Margin release bracket	0.56
07/1154-004.2	Key top margin release, green, "M.R. "	0.25
07/1155-001.2	Key top Shift lock, green, (flat style, older type)	0.25
07/1155-004.2	Key top Shift lock, green, " S.L. " new style	0.25
07/1156-001.2	Key top Back space	0.25
07/1157-001.1/06	Key top for tabulator without shaft, after serial # 28 900 (-)	0.25
07/1157-001.2	Key top for tabulator with shaft, up to serial # 28 900 (-)	0.25
07/1157-001.1/07	Key top for tabulator after serial # approximately 425 000 (-)	0.25
07/1158-001.2	Key top for tabulator with shaft, up to serial # 28 900 (1)	0.25
07/1158-001.1/06	Key top for tabulator without shaft, after serial # 28 900 (1)	0.25
07/1158-001.1/07	Key top for tabulator after serial # approximately 425 000 (1)	0.25
07/1159-001.2	Key top for tabulator with shaft, up to serial # 28 900 (10)	0.25

# Olympia STANDARD PARTS

PART NO.	DESCRIPTION	PRICE
07/1154-001.1/06	Key top for tabulator without shaft, after serial # 28 900 (10)	0.25
07/1154-001.1/07	Key top for tabulator after serial # 400 000 (10)	0.25
07/1156-001.2	Key top for tabulator (100) with shaft up to serial # 28 900	0.25
07/1156-001.1/06	Key top for tabulator (100) without shaft after serial # 28 900	0.25
07/1156-001.1/07	Key top for tabulator (100) without shaft after serial # 425 000	0.25
07/1151-001.2	Key top for tabulator (1000) with shaft up to serial # 28 900	0.25
07/1151-001.1/06	Key top for tabulator (1000) without shaft after serial # 28 900	0.25
07/1151-001.1/07	Key top for tabulator (1000) without shaft after serial # 425 000	0.25
07/1162-001.2	Key top for tabulator (10 000) with shaft up to serial # 28 900	0.25
07/1162-001.1/06	Key top for tabulator (10 000) without shaft after serial # 28 900	0.25
07/1162-001.1/07	Key top for tabulator (10 000) without shaft after serial # 425 000	0.25
07/1163-001.2	Key top for tabulator (100 000) with shaft up to serial # 28 900	0.25
07/1163-001.1/06	Key top for tabulator (100 000) without shaft after serial # 28 900	0.25
07/1163-001.1/07	Key top for tabulator (100 000) without shaft after serial # 425 000	0.25
07/1164-001.2	Key top for tabulator (1 Mill) with shaft up to serial # 28 900	0.25
07/1164-001.1/06	Key top for tabulator (1 Mill) without shaft after serial # 28 900	0.25
07/1164-001.1/07	Key top for tabulator (1 Mill) without shaft after serial # 425 000	0.25
07/1165-001.2	Key top for tabulator (10 Mill) with shaft up to serial # 28 900	0.25
07/1165-001.1/06	Key top for tabulator (10 Mill) without shaft after serial # 28 900	0.25
07/1165-001.1/07	Key top for tabulator (10 Mill) without shaft after serial # 425 000	0.25
07/1166-001.2	Key top for tabulator ( + ) with shaft up to serial # 28 900	0.25
07/1166-001.1/06	Key top for tabulator ( + ) without shaft after serial # 28 900	0.25
07/1166-001.1/07	Key top for tabulator ( + ) without shaft after serial # 425 000	0.25
07/1170-001.1	Worm screw with point	0.16
07/1171-007.2/00	Connecting link for set tabulator up to serial # 475 419	0.64
07/1171-007.2/01	Connecting link for set tabulator after serial # 475 419	0.64
07/1176-007.1/02	Tabulator set bar, up to approximately serial # 425 000	1.00
07/1176-007.1/03	Tabulator set bar, after approximately serial # 425 000	1.00
07/1177-001.2	Tabulator keytop ( . ) up to serial # 28 900 (with shaft)	0.25
07/1177-001.1/01	Tabulator keytop ( . ) after serial # 28 900	0.25
07/1177-001.1/02	Tabulator keytop ( . ) after serial # 425 000	0.25
07/1178-001.2	Shift keytop right	0.25
07/1179-004.1/00	Tabulator keytop (CLEAR) after serial # 28 900	0.25
07/1179-004.1/01	Tabulator keytop (CLEAR) after serial # 425 000	0.25
07/1180-004.1/00	Tabulator keytop (SET) after serial # 28 900	0.25
07/1180-004.1/01	Tabulator keytop (SET) after serial # 425 000	0.25
07/1182-001.1	Tabulator cover	0.96
07/1183-003.1/00	Tabulator keytop for BRAILLE machines (o) after serial # 28 900	0.25
07/1183-003.1/01	Tabulator keytop for BRAILLE machines (o) after serial # 425 000	0.25
07/1184-003.1/00	Tabulator keytop for BRAILLE machines (oo) after serial # 28 900	0.25
07/1184-003.1/01	Tabulator keytop for BRAILLE machines (oo) after serial # 425 000	0.25
07/1185-003.1/00	Tabulator keytop for BRAILLE machines (ooo) after serial # 28 900	0.25
07/1185-003.1/01	Tabulator keytop for BRAILLE machines (ooo) after serial # 425 000	0.25
07/1186-004.1/02	Tabulator keytop ( 1 M) up to serial # 425 000	0.25
07/1186-004.1/03	Tabulator keytop ( 1 M) after serial # 425 000	0.25
07/1187-004.1/02	Tabulator keytop (10 M) up to serial # 425 000	0.25
07/1187-004.1/03	Tabulator keytop (10 M) after serial # 425 000	0.25
07/1188-004.1/02	Tabulator keytop (100 M) up to serial # 425 000	0.25
07/1188-004.1/03	Tabulator keytop (100 M) after serial # 425 000	0.25
07/1189-001.2	Line lock bearing plate	0.24
07/1194-017.1	Tabulator key top blank for Decimal Tabulator up to serial # 425 000	0.25
07/1194-017.1/01	Tabulator key top blank for Decimal Tabulator after serial # 425 000	0.25
07/1194-017.1/02	Tabulator key top ( , ) for Decimal Tabulator up to serial # 425 000	0.25
07/1198-001.2/00	Lock pawl with bracket for space bar up to serial # 475 419	
	before serial # 475 419 use part # 07/1338-001.1	0.48
07/1198-001.2/01	Same as above after serial # 475 419	0.48
07/1201-007.2	Key lever comb for set Tabulator complete	3.20

# Olympia STANDARD PARTS

PART NO.	DESCRIPTION	PRICE
07/1202-001.2	Line lock release lever	0.40
07/1204-001.2	Shift key lever left	0.80
07/1205-001.2	Shift key top left	0.25
07/1206-001.2	Back space lever	0.48
07/1207-001.2	Key top double space	0.25
07/1208-001.2	Shift key lever right	0.72
07/1209-001.2 through	Key lever from # 1 to # 46	0.40
07/1254-001.2		
07/1255-001.2/00	Bell crank lever, left, up to serial # 475 419	0.16
07/1255-001.2/01	Bell crank lever, left, after serial # 475 419	0.16
07/1256-001.2	Bell crank lever, right	0.16
07/1257-001.2	Space bar lever, left	0.40
07/1258-001.2	Space bar lever, right	0.40
07/1259-001.2/00	Space bar crank lever, up to serial # 53 500	0.36
07/1259-001.2/03	Space bar crank lever, after serial # 53 500	0.36
07/1261-001.2	Spring arm for space bar	0.32
07/1265-001.2	Shift key shaft and bracket	1.32
07/1266-001.2 through	Sub lever from # 1 to # 46	0.32
07/1311-001.2		
07/1312-001.2/02	Ribbon color shift bracket, up to serial # 214 000	0.36
07/1312-001.2/04	Ribbon color shift bracket, after serial # 214 000	0.36
07/1313-001.2	Ribbon color shift arm	0.16
07/1318-001.2	Escapment shift rod	1.28
07/1322-004.2	Shift lever with shift lock, complete, left	1.76
07/1323-001.2	Double space lever	0.68
07/1324-004.2	Shift lever complete, right	0.96
07/1329-007.2	Ribbon color shift arm with ribbon connecting arm for bulletin and script	0.72
07/1330-001.2/03	Ribbon shift shaft with arm, up to serial # 214 000	0.80
07/1330-001.2/04	Ribbon shift shaft with arm, after serial # 214 000	0.80
07/1335-001.2	Space bar shift shaft complete (set Tabulator) up to serial # 475 419 after use part # 07/1005-001.2	5.68
07/1337-001.2	Key lever stop bar with cushion	0.84
07/1338-001.1	Lock pawl for space bar, up to serial # 475 419, after use part # 07/1198-001.2/01	0.08
07/1339-001.1	Guide for lock pawl	0.08
07/1343-004.2	Shift key shaft (not complete) for double sided shift release	2.08
07/1346-004.2	Connecting arm, right, use with part # 07/1019-001.1	0.40
07/1349-001.2	Universal shaft, after serial # 241 000	2.24
07/1350-001.1	Silencer for Universal shaft, after serial # 241 000	0.04
07/1701-001.2	Shift key shaft & center bearing for single shift release	1.60
07/1701-004.2	Shift key shaft & center bearing for double sided shift release	1.60
07/1702-004.2	Connecting arm, center	0.24
07/2001-001.1/15	Side plate, left	6.00
07/2001-001.1/20	Side plate, left, new style	6.00
07/2007-001.1/05	Carriage base plate, 3 mm, left, up to serial # 485 000	0.24
07/2007-001.1/06	Carriage base plate, 4 mm, left, after serial # 485 000	0.24
07/2012-001.1/00	Ribbon color shift eccentric plate, up to serial # 244 100	0.08
07/2012-001.1/01	Ribbon color shift eccentric plate, after serial # 244 100	0.08
07/2013-001.1	Connecting link for color shift ribbon	0.08
07/2014-001.1/02	Adjusting plate for color shift, blue, up to serial # 244 100	0.12
07/2014-001.1/03	Adjusting plate for color shift, blue, after serial # 244 100	0.12
07/2015-001.1	Adjusting plate for color shift, red	0.12
07/2021-001.2	Adjusting screw (Motion) 25 mm, up to serial # 545 000	0.44
07/2021-001.2/05	Adjusting screw (Motion) 25 mm, after serial # 545 000	0.44
07/2022-001.2/04	Segment guide bracket, left, use with 07/2030-001.1, up to serial # 114 750	0.96

# Olympia STANDARD PARTS

PART NO.	DESCRIPTION	PRICE
07/2022-001.2/06	Same as above, after serial # 114 750	1.12
07/2023-001.2	Carriage lock left	0.64
07/2024-001.2	Ribbon color shift lever	0.32
07/2025-001.2	Ribbon color thumb wheel	0.80
07/2025-003.2	Ribbon color thumb wheel for BRAILLE MACHINE	0.80
07/2026-001.2	Ribbon color shift lever with roller	0.40
07/2027-001.2/08	Thumb wheel with adjusting plate, up to serial # 244 100	1.20
07/2027-001.2/09	Thumb wheel with adjusting plate, after serial # 244 100	1.20
07/2030-001.1	Cap for motion adjustment screw plastic washer, after serial # 545 200	0.08
07/3001-001.1	Side plate, right (casting)	6.00
07/3006-001.1	Thumb wheel touch control	0.56
07/3007-001.1	Connecting bracket for touch control, up to serial # 326 300 after use part # 07/3017-001.1	0.08
07/3008-001.1	Tension lever for touch control	0.24
07/3009-001.1	Pull rod for touch control	0.12
07/3010-001.1/04	Carriage base plate, right, up to serial # 485 000 (0.4 mm)	0.24
07/3010-001.1/05	Carriage base plate, right, after serial # 485 000 (0.5 mm)	0.24
07/3011-001.2/03	Segment guide bracket, right, up to serial # 114 750	0.96
07/3011-001.2/05	Segment guide bracket, right, after serial # 114 750	1.12
07/3012-001.2	Carriage lock, right	0.64
07/3013-001.2	Bell crank lever for touch control	0.32
07/3014-001.2	Tension lever for touch control spring	0.24
07/3015-001.2/01	Bell crank lever with roller, up to serial # 326 300	0.40
07/3015-001.2/02	Bell crank lever with roller, after serial # 326 300	0.40
07/3017-001.1	Connecting wire for touch control, after serial # 326 300	0.20
07/4001-001.1/07	Back assembly frame (casting) up to serial # 297 000	6.00
07/4001-001.1/10	Back assembly frame (casting) after serial # 297 000	6.00
07/4002-001.1	Escapment housing	4.96
07/4003-001.1	Tabulator blade guide, Pica, 10 pitch	0.80
07/4003-035.1	Tabulator blade guide, Elite, 11 pitch	0.80
07/4003-045.1/00	Tabulator blade guide, DIAMOND, 14 pitch (old style)	0.80
07/4003-045.1/01	Tabulator blade guide, DIAMOND, 14 pitch (new style)	0.80
07/4003-055.1	Tabulator blade guide, Elite, 12 pitch	0.80
07/4003-065.1	Tabulator blade guide, Diamond, 17 pitch	0.80
07/4005-001.1	Tabulator release bearing bracket	0.16
07/4006-001.1	Tabulator release shaft	0.08
07/4008-001.1	Line lock pressure arm	0.32
07/4009-001.1	Line lock bell crank	0.32
07/4010-001.1/01	Stop plate for back spacer, up to serial # 297 000	0.08
07/4010-001.1/02	Stop plate for back spacer, after serial # 297 000	0.08
07/4013-001.1	Connecting wire for carriage return shift	0.08
07/4015-001.1	Shift bracket for tabulator	0.28
07/4018-001.1	Tabulator return spring (flat, heavy)	0.02
07/4023-001.1/12	Silent carriage return disk (use with # 93422-5x6/02) (old style)	0.20
07/4023-001.1/14	Silent carriage return disk new style (used without part # 93422-5x6/02)	0.20
07/4026-001.1	Spacing spring for loose escapment dog	0.01
07/4028-001.1/05	Rigid escapment dog (old style)	0.52
07/4028-001.1/06	Rigid escapment dog (new style) (wide)	0.52
07/4031-001.1	Loose escapment dog after 51 200	0.68
07/4035-001.1	pressure lever connecting wire	0.08
07/4036-001.1/03	Tabulator brake pressure lever up to serial # 241 000	0.12
07/4036-001.1/04	Tabulator brake pressure lever after serial # 241 000	0.12
07/4038-001.1	Tabulator brake drum	0.16
07/4039-001.1	Tabulator brake shoe holder	0.12
07/4041-001.1	Tabulator brake drum bracket	0.36
07/4042-001.2/03	Tabulator brake pinion up to serial # 28 000	0.36

# Olympia STANDARD PARTS

PART NO.	DESCRIPTION	PRICE
07/4042-001.2/04	Tabulator brake pinion after serial # 28 000	0.36
07/4045-001.1	Tabulator brake shaft	0.08
07/4046-001.1/02	Back space dog up to serial # 297 000	0.32
07/4046-001.1/03	Back space dog after serial # 297 000	0.32
07/4047-001.1/00	Back space spring holder	0.04
07/4048-001.1	Tabulator blade lever housing	0.60
07/4049-001.1	Tabulator clear blade lever pica, 10 pitch	0.32
07/4049-035.1	Tabulator clear blade lever elite 11 pitch & 12 pitch	0.32
07/4049-045.1	Tabulator clear blade lever, 14 pitch, Diamond	0.32
07/4050-001.1	Tabulator blade lever, pica 10 pitch	0.32
07/4050-035.1	Tabulator blade lever, elite 11 pitch & 12 pitch	0.32
07/4050-045.1/02	Tabulator blade lever for set tabulator diamond, 14 pitch, up to serial # 28 000	0.32
07/4050-045.1/04	Tabulator blade lever, diamond, 14 pitch, after serial # 28 000	0.32
07/4050-065.1	Tabulator blade lever, for punctuation tabulator diamond, 17 pitch	0.32
07/4051-001.1	Tabulator blade lever, 11 pitch, pica	0.32
07/4051-035.1	Tabulator blade lever, elite, 11 & 12 pitch	0.32
07/4051-045.1	Tabulator blade lever, diamond, 14 pitch	0.32
07/4051-065.1	Tabulator blade lever, diamond 17 pitch	0.32
07/4052-001.1	Tabulator blade lever, pica, 10 pitch	0.32
07/4052-035.1	Tabulator blade lever, elite, 11 pitch	0.32
07/4052-014.1	Tabulator blade lever, elite 87, 12 pitch	0.32
07/4052-045.1	Tabulator blade lever, diamond, 14 pitch	0.32
07/4052-065.1	Tabulator blade lever, diamond, 17 pitch	0.32
07/4053-001.1	Tabulator blade lever, pica, 10 pitch	0.32
07/4053-035.1	Tabulator blade lever, 11 & 12 pitch elite,	0.32
07/4053-045.1	Tabulator blade lever, diamond, 14 pitch	0.32
07/4053-065.1	Tabulator blade lever, diamond, 17 pitch	0.32
07/4054-001.1	Tabulator blade lever, pica, 10 pitch	0.32
07/4054-035.1	Tabulator blade lever, elite 11 & 12 pitch	0.32
07/4054-045.1	Tabulator blade lever, diamond, 14 pitch	0.32
07/4054-065.1	Tabulator blade lever, diamond, 17 pitch	0.32
07/4055-001.1	Tabulator blade lever, pica, 10 pitch	0.32
07/4055-035.1	Tabulator blade lever, elite, 11 pitch	0.32
07/4055-045.1	Tabulator blade lever, diamond, 14 pitch	0.32
07/4055-014.1	Tabulator blade lever, elite, 12 pitch	0.32
07/4055-065.1	Tabulator blade lever, diamond, 17 pitch	0.32
07/4056-001.1	Tabulator blade lever, pica, 10 pitch	0.32
07/4056-035.1	Tabulator blade lever, elite, 11 pitch	0.32
07/4056-045.1	Tabulator blade lever, diamond, 14 pitch	0.32
07/4056-014.1	Tabulator blade lever, elite, 12 pitch	0.32
07/4056-065.1	Tabulator blade lever, diamond, 17 pitch	0.32
07/4057-001.1	Tabulator blade lever, pica and elite, 10 & 11 pitch	0.32
07/4057-035.1	Tabulator blade lever, elite, 11 & 12 pitch	0.32
07/4057-045.1	Tabulator blade lever, diamond, 14 pitch	0.32
07/4057-065.1	Tabulator blade lever, diamond, 17 pitch	0.32
07/4058-001.1	Tabulator set blade lever, pica & elite, 10 & 12 pitch	0.32
07/4058-035.1	Tabulator set blade lever, elite, 11 pitch	0.32
07/4058-045.1/03	Tabulator set blade lever, diamond, 14 pitch, I. style	0.32
07/4058-045.1/04	Tabulator set blade lever, for set tabulator, diamond, 14 pitch	0.32
07/4058-045.1/05	Tabulator set blade lever, diamond, 14 pitch	0.32
07/4059-001.1	Tabulator guide comb	0.12
07/4060-001.1	Tabulator lever spring hanger	0.08
07/4061-001.2	Single and double space limit lever	0.32
07/4064-001.2/01	Line lock bell crank (up to serial # 297 000)	0.32
07/4064-001.2/02	Line lock bell crank (after serial # 297 000)	0.32

Carriage 10"  
Carriage 12"  
Carriage 13"  
Carriage 15"  
Carriage 18"  
Carriage 24"  
Carriage 35"  
Carriage Description

*Olympia* STANDARD PARTS

PART NO.	DESCRIPTION	PRICE
07/4067-001.2/00	Back spacer bell crank bracket up to serial # 297 000	0.32
07/4067-001.2/01	Back spacer bell crank bracket after serial # 297 000	0.32
07/4068-001.2	Back spacer bell crank	0.24
07/4069-001.2	Tabulator connecting link	0.16
07/4070-001.2	Tabulator lift lever with roller	0.56
07/4071-001.2	Escapment wheel with pinion, pica, 10 pitch, after serial # 28 000	6.00
07/4071-035.1	Escapment wheel with pinion, elite, 11 pitch, after serial # 28 000	6.00
07/4071-045.2	Escapment wheel with pinion, diamond, 14 pitch,	6.00
07/4071-055.2	Escapment wheel with pinion, elite, 12 pitch,	6.00
07/4071-065.2	Escapment wheel with pinion, diamond, 17 pitch	6.00
07/4072-001.2	Escapment rocker	1.83
07/4073-001.2	Double spacer bracket, pica, 10 pitch, elite, 11 & 12 pitch	0.40
07/4073-045.2	Double spacer bracket, diamond, 14 pitch	0.40
07/4074-001.2	Space bar bracket	0.32
07/4075-001.2	Tabulator brake shoe	0.24
07/4076-001.2	Tabulator brake lift fork	0.48
07/4078-001.2	Tabulator blade lever housing complete for Decimal Tabulator, pica, 10 pitch	6.00
07/4078-035.2	Tabulator blade lever housing complete for Decimal Tabulator, elite, 11 pitch	6.00
07/4078-055.2	Tabulator blade lever housing complete, Decimal Tabulator, elite, 12 pitch	6.00
07/4082-001.2/06	Escapment wheel, pica, 10 pitch, up to serial # 28 000	6.40
07/4082-001.2/08	Escapment wheel, pica, 10 pitch, after serial # 28 000	6.40
07/4082-035.2/03	Escapment wheel, elite, 11 pitch, up to serial # 28 000	6.40
07/4082-035.2/05	Escapment wheel, elite, 11 pitch, after serial # 28 000	6.40
07/4082-045.2	Escapment wheel, diamond, 14 pitch	6.40
07/4082-055.2	Escapment wheel, elite, 12 pitch	6.40
07/4082-065.2	Escapment wheel, diamond, 17 pitch	6.40
07/4083-001.2	Escapment rocker assembly complete, old style	4.08
07/4083-001.2/14	Escapment rocker assembly complete, new style (wide)	4.08
07/4085-001.2	Tabulator brake assembly complete, pica, 10 pitch, elite 11 & 12 pitch	1.84
07/4085-045.2	Tabulator brake assembly complete, diamond, 14 pitch	1.84
07/4085-065.2	Tabulator brake assembly complete, diamond, 17 pitch	1.84
07/4088-001.2	Escapment housing complete, pica, 10 pitch	22.40
07/4088-035.2	Escapment housing complete, elite, 11 pitch	22.40
07/4088-045.2	Escapment housing complete, diamond, 14 pitch	22.40
07/4088-055.2	Escapment housing complete, elite, 12 pitch	22.40
07/4088-065.2	Escapment housing complete, diamond, 17 pitch	22.40
07/4089-001.1/05	Tension screw for tabulator brake, M 3 mm	0.08
07/4089-001.1/06	Tension screw for tabulator brake, M 4 mm	0.08
07/4090-001.1	Adjustment screw M 2.6 mm for loose dog spacing adjustment	0.06
07/4091-001.1	Adjustment nut for loose dog spacing adjustment	0.06
07/4093-001.1	Tabulator brake lining	0.01
07/4098-001.1	Rigid escapment dog spring plate	0.04
07/4101-001.1	Escapment rocker pivot screw	0.16
07/4102-001.1	Worm screw M3 X 32	0.08
07/4103-001.1	Escapment wheel pivot set screw	0.16
07/4106-001.2	Tabulator blade lever housing complete for set Tabulator, pica, 10 pitch	4.00
07/4106-035.2	Tabulator blade lever housing complete for set Tabulator, elite, 11 pitch	4.00
07/4106-045.2	Tabulator blade lever housing complete for set Tabulator, diamond, 14 pitch	4.00
07/4106-055.2	Tabulator blade lever housing complete for set Tabulator, elite, 12 pitch	4.00
07/4106-065.2	Tabulator blade lever housing complete for set Tabulator, diamond, 17 pitch	4.00
07/4108-001.1	Loose escapment dog spring after 33 3000	0.06
07/4109-001.2	Loose escapment dog arm (with pin)	0.20
07/4110-001.2	Line lock actuator arm	0.32
07/4118-001.2	Space bar bracket	0.32
07/4120-001.1	Adjusting plate	0.32
07/4125-001.1	Flat head binding screw	0.08
07/4126-001.1	Segment bearing plate	0.28

# Olympia STANDARD PARTS

PART NO.	DESCRIPTION	PRICE
07/5004-001.1	Segment bearing plate cushion	0.06
07/5006-001.1	Eccentric segment shift bolt	0.32
07/5010-001.1	Type rest cushion	0.32
07/5012-001.1	Type bar fulcrum wire	0.32
07/5013-001.1/03	Type guide up to serial # 33 500	2.00
07/5013-001.1/04	Type guide after serial # 33 500 up to serial # 308 000, replaced by part # 07/5094-001.2	2.00
07/5013-004.1	Type guide for Bulletin # 28 & script # 75	2.00
07/5060-001.1	Spacing spring for universal bar 0.2 mm up to serial # 255 000	0.01
07/5061-001.1	Spacing spring for universal bar (0.8 mm) up to serial # 255 000	0.03
07/5062-001.1	Eccentric roll up to serial # 255 000	0.16
07/5067-001.1/01	Universal guide, up to serial # 255 000	0.80
07/5067-001.1/02	Universal guide after serial # 255 000	0.80
07/5068-001.1	Eccentric bushing	0.20
07/5071-001.1/02	Universal bar bearing rail, up to serial # 255 000	0.64
07/5071-001.1/03	Universal bar bearing rail left, after serial # 255 000	0.64
07/5072-001.1	Ball bearing separator without ball bearings	0.08
07/5073-001.1/09	Ribbon vibrator, after serial # 40 000	0.60
07/5075-001.2	Type rest bracket	0.88
07/5076-001.2/03	Segment, up to serial # 255 014	7.20
07/5076-001.2/04	Segment, after serial # 255 014 (for straight type bar)	7.20
07/5076-001.2/05	Segment, after serial # 375 000 (for curved type bar)	7.20
07/5078-001.2/04	Universal bar, up to serial # 255 000	2.64
07/5078-001.2/05	Universal bar, after serial # 255 000	2.64
07/5079-001.2/06	Segment frame (casting) up to serial # 255 000	8.40
07/5079-001.2/07	Segment frame (casting) after serial # 255 000	8.40
07/5083-001.2/06	Universal bar with bearing guide complete, up to serial # 255 000	6.62
07/5083-001.2/08	Universal bar with bearing guide complete, after serial # 255 000	6.62
07/5085-001.2/01	Bearing guide, up to serial # 255 000	0.96
07/5085-001.2/02	Bearing guide, after serial # 255 000	0.96
07/5091-001.1	Universal bar bearing rail, right, after serial # 255 000	0.64
07/5092-001.1	Eccentric screw, after serial # 255 000	0.14
07/5094-001.2	Type guide with rivet, after serial # 308 000	2.16
07/5373-001.1	Ribbon vibrator for carbon and regular ribbon	0.64
07/5702-001.2/03	Segment with type bars and type complete (specify keyboard and type style desired) up to serial # 255 000	36.80
07/5702-024.2/03	Segment with type bars and type complete used for bulletin # 28 and script # 75, up to serial # 255 000	36.80
07/5702-001.2/04	Segment with type bars and type complete (specify keyboard and type style desired) after serial # 255 000	36.80
07/5702-024.2/04	Segment with type bars and type complete used for bulletin # 28 and script # 75 after serial # 255 000	36.80
07/5702-001.2/05	Segment with type bars and type complete (specify keyboard and type style desired) after serial # 375 000 approximately	36.80
07/5714-001.1/07 through	Type bars # 1 to # 46 (old style) up to approximately serial # 375 000 single @	0.36
07/5759-001.1/07 through	complete set	16.56
07/5714-001.1/08 through	Type bars # 1 to # 46 (new style) after approximately serial # 375 000 single @	0.36
07/5759-001.1/08 through	complete set	16.56
07/6002-001.1	Ribbon wheel detent pawl, left or right up to serial # 238 500	0.24
07/6005-001.1	Ribbon guide roller, left or right	0.12
07/6006-001.1	Ribbon reverse lock, left or right	0.04
07/6008-001.1	Ribbon feed pawl, left or right, up to serial # 238 500 (after serial # 238 000 use part # 05/1612-001.1)	0.24
07/6009-04.1	Ribbon spool shaft	0.07

# Olympia STANDARD PARTS

PART NO.	DESCRIPTION	PRICE
07/6010-001.1	Ribbon reverse lock spring, left or right	0.03
07/6013-001.1	Ribbon ratchet brake spring	0.08
07/6014-001.1	Ribbon feed connecting link	0.12
07/6015-001.2	Ribbon transport bracket, left	0.88
07/6016-001.2	Ribbon reverse arm, left	0.56
07/6017-001.2	Ribbon reverse engaging arm with guide roll left, complete	0.48
07/6018-001.2	Ribbon feed pawl bracket, left	0.40
05/1601-004.2	Ribbon feed ratchet wheel, left after serial # 238 500	0.36
07/6025-001.1	Leather washer for ribbon spool	0.01
07/6030-001.1/00	Ribbon reverse lock, left	0.04
07/6030-001.1/01	Ribbon reverse lock, left (wide)	0.04
07/6032-001.5	Ribbon brake assembly complete, left	0.28
07/6033-001.1	Ribbon brake arm, left, use for all styles	0.12
07/6034-001.1	Supporting plate for ribbon reverse lock spring	0.08
07/6900-004.2	Ribbon transport assembly complete, left	7.84
07/7005-001.2	Ribbon transport bracket, right	0.88
07/7006-001.2	Ribbon reverse arm, right	0.56
07/7007-001.2	Ribbon reverse engaging arm with guide roller, right	0.48
07/7008-001.2	Ribbon feed pawl arm, right	0.40
07/7015-001.1/00	Ribbon reverse lock, right	0.04
07/7015-001.1/01	Ribbon reverse lock, right, wide	0.04
07/7017-001.5	Ribbon brake assembly, right, complete	0.28
07/7019-001.1	Ribbon brake arm, right for all styles	0.12
07/7900-004.2	Ribbon transport assembly complete, right	7.84
05/1709-004.2	Ribbon feed ratchet wheel, right, after serial # 238 500	0.36
07/9001-001.1	Line lock release connecting arm	0.28
07/9002-001.1	Back spacer connecting arm	0.16
07/9003-001.1	Segment shift connecting link	0.12
07/9004-001.1	Segment ball race	0.40
07/9005-001.1	Spacing shaft	0.52
07/9007-001.1	Color shift connecting arm	0.16
07/9008-001.1	Line lock bar, after serial # 222 000	0.46
07/9009-001.1	Line lock bar connecting link, up to serial # 222 000, after use part # 07/9216-001.2	0.24
07/9010-001.1/07	Wire holder bracket, up to serial # 114 750	0.04
07/9010-001.1/08	Wire holder bracket, after serial # 114 750	0.04
07/9011-001.1	Ribbon reverse connecting link, right	0.20
07/9012-001.1	Ribbon reverse connecting link, left	0.20
07/9013-001.1/02	Type bar connecting wire, for bars # 1 to # 22	0.12
07/9013-001.1/03	Type bar connecting wire, for bars # 1 to # 22 (up to serial # 375 000)	0.12
07/9013-001.1/08	Type bar connecting wire, for bars # 1 to # 22 (after serial # 375 000)	0.12
07/9014-001.1/03	Type bar connecting wire, for bar # 23 (old style)	0.12
07/9014-001.1/04	Type bar connecting wire, for bar # 23 (new style)	0.12
07/9015-001.1/03	Type bar connecting wire, for bar # 24 (old style)	0.12
07/9015-001.1/04	Type bar connecting wire, for bar # 24 (new style)	0.12
07/9016-001.1/02	Type bar connecting wire, for bars # 25 to # 46, (old style)	0.12
07/9016-001.1/03	Type bar connecting wire, for bars # 25 to # 46, (new style)	0.12
07/9017-001.1	Space bar connecting link	0.28
07/9018-001.1	Tabulator connecting link # 1	0.24
07/9019-001.1	Tabulator connecting link # 2	0.24
07/9020-001.1	Tabulator connecting link # 3	0.24
07/9021-001.1	Tabulator connecting link # 4	0.24
07/9022-001.1	Tabulator connecting link # 5	0.24
07/9023-001.1	Segment cover plate (without engraving)	1.20
07/9025-001.1	Alignment scale hinge (up to serial # 114 750)	0.16
07/9027-001.1/05	Post card holder (up to serial # 114 750)	0.20

# Olympia STANDARD PARTS

PART NO.	DESCRIPTION	PRICE
07/9027-001.1/07	Post card holder (after serial # 114 750)	0.20
07/9027-050.1	Post card holder for special card work (after serial # 114 750)	0.23
07/9027-003.1	Post card holder for BRAILLE machines	0.23
07/9028-001.1	Alignment scale hinge shaft (up to serial # 114 750)	0.06
07/9032-001.1	Chrome frame for color selector and touch control	0.20
07/9037-001.1	Back plate bracket	0.20
07/9038-001.1	Cover chrome strip	3.60
07/9039-001.1	Space bar stop bracket	0.20
07/9040-001.1	Cover frame lining	0.72
07/9041-001.1	Back plate lining	0.80
07/9042-001.1	Strip for back plate bracket	0.06
07/9047-001.1	Top cover plate lining	0.72
07/9048-001.1	Top cover chrome strip, left	1.00
07/9049-001.1	Top cover chrome strip, right	1.00
07/9055-001.1	Aligning scale felt	0.06
07/9058-001.1	Screw plate	0.02
07/9065-001.2	Line lock bar up to serial # 222 000, after serial # 222 000 replaced by part # 07/9008-001.1	0.56
07/9066-001.2/06	Aligning scale, left, pica, 10 pitch, after serial # 114 750, before use part # 07/9079-001.2	0.72
07/9066-035.2/04	Aligning scale, left, elite, 11 pitch, after serial # 114 750, before use part # 07/9079-035.2	0.72
07/9066-045.2	Aligning scale, left, diamond, 14 pitch, after serial # 114 750, before use part # 07/9079-045.2	0.72
07/9066-055.2	Aligning scale, left, elite, 12 pitch, after serial # 114 750, before use part # 07/9079-055.2	0.72
07/9066-065.2	Aligning scale, left, diamond, 17 pitch, after serial # 114 750	0.72
07/9067-001.2/06	Aligning scale, right, pica, 10 pitch, after serial # 114 750, before use part # 07/9080-001.2	0.72
07/9067-035.2/04	Aligning scale, right, elite, 11 pitch, after serial # 114 750, before use part # 07/9080-035.2	0.72
07/9067-045.2	Aligning scale, right, diamond, 14 pitch, after serial # 114 750, before use part # 07/9080-045.2	0.72
07/9067-055.2	Aligning scale, right, elite, 12 pitch, after serial # 114 750, before use part # 07/9080-055.2	0.72
07/9067-065.2	Aligning scale, right, diamond, 17 pitch, after serial # 114 750	0.72
07/9068-001.2/02	Front cover plate with 2 attachment points, up to serial # 346 000	2.20
07/9068-001.2/03	Front cover plate without tabulator cover	2.20
07/9068-001.2/04	Front cover plate with 2 attachment points for rubber grummets, after serial # 346 000	2.20
07/9068-045.2	Front cover plate for punctuation Tabulator, DF up to serial # 346 000	2.40
07/9068-045.2/01	Front cover plate for punctuation Tabulator, DF after serial # 346 000	2.40
07/9071-001.2/02	Plastic knob, carriage lock	0.24
07/9072-001.2	Dust pan	0.88
07/9073-001.2	Cover plate bracket, up to serial # 346 000	0.44
07/9074-001.2/03	Aligning scale bracket, up to serial # 114 750	1.36
07/9075-001.2	Carriage space bracket, left	0.20
07/9076-001.2	Carriage space bracket, right	0.20
07/9078-001.2/02	Front cover plate with 2 attachment points up to serial # 346 000	8.80
07/9078-001.2/03	Front cover plate with 2 grummets, after serial # 346 000	8.80
07/9079-001.2	Aligning scale complete, left, old style, pica, 10 pitch, up to serial # 114 750	1.04
07/9079-035.2	Aligning scale, left, complete, old style, elite, 11 pitch, up to serial # 114 750	1.04
07/9079-045.2	Aligning scale, left, complete, old style, diamond, 14 pitch, up to serial # 114 750	1.04
07/9080-001.2	Aligning scale, right, complete, old style, pica, 10 pitch	1.04

Carriage  
10"  
Carriage  
12"  
Carriage  
13"  
Carriage  
15"  
Carriage  
18"  
Carriage  
24"  
Carriage  
35"  
Carriage  
Description

# *Olympia* STANDARD PARTS

PART NO.	DESCRIPTION	PRICE
07/9080-005.2	Aligning scale, right, complete, old style, elite, 11 pitch	1.04
07/9080-045.2	Aligning scale, right, complete, old style, diamond, 14 pitch	1.04
07/9080-001.2/07	Lower frame with lining, without back plate	13.60
07/9080-001.2/08	Lower frame with lining, without back plate, without distance cushion bracket	13.60
07/9080-001.1	9 $\frac{1}{2}$ " machine dust cover	1.40
07/9080-001.1	12" machine dust cover	1.50
07/9080-001.1	Back plate bracket washer	0.02
07/9080-001.2/02	Back plate with lining	2.20
07/9080-001.1	13" machine dust cover	1.50
07/9080-001.1	15" machine dust cover	1.72
07/9080-001.1	18" machine dust cover	1.93
07/9013-001.1	Rubber foot for base (old style) up to serial # 147 000	0.40
07/9017-001.2	Line lock release	0.37
07/9019-001.1	Connecting wire for touch control	0.12
07/9022-001.1	Connecting lever for set tabulator	0.24
07/9024-001.1	Universal bar support	0.08
07/9031-001.1	Rubber buffer	0.12
07/9030-001.1	Bracket for aligning scale, old style, up to serial # 114 750	0.02
07/9034-001.1	Postcard holder for special card work, up to serial # 114 750	0.24
07/9041-001.1	Metal foot plate for rubber base foot, up to serial # 147 000	0.04
07/9046-001.2	Cover plate with aligning scale complete, pica, 10 pitch, after serial # 114 750	15.60
07/9046-035.2	Cover plate with aligning scale, complete, elite, 11 pitch, after serial # 114 750	15.60
07/9046-045.2	Cover plate with aligning scale, complete, diamond, 14 pitch, after serial # 114 750	15.60
07/9046-055.2	Cover plate with aligning scale, complete, elite, 12 pitch, after serial # 114 750	15.60
07/9046-065.2	Same as above, diamond, 17 pitch, after serial # 114 750	15.60
07/9047-001.1	Cover plate for adjustable alignments scales, without scales after serial # 114 750	7.36
07/9048-001.2	Hinge, complete with lever, for aligning scale, left	0.96
07/9049-001.1	Hinge, without lever, left	0.52
07/9050-001.1	Connecting lever for hinge, left	0.12
07/9051-001.2	Hinge, complete with lever, for aligning scale, right	0.96
07/9053-001.1	Hinge, without lever, right	0.52
07/9054-001.1	Connecting lever for hinge, right	0.12
07/9056-001.2	Guiding plate, left	0.96
07/9058-001.2	Adjusting lever, left	0.36
07/9060-001.1	Flat spring for adjusting lever	0.02
07/9062-001.2	Guiding plate, right	0.96
07/9064-001.2	Adjusting lever, right	0.36
07/9070-001.1	Ribbon deflector	0.12
07/9077-001.1	Foot plate for rubber feet, after serial # 545 000 (front & rear same)	0.40
07/9078-001.1/02a	Rubber foot rear, up to serial # 545 000	0.80
07/9079-001.1/07	Rubber foot, after serial # 545 000 (front & rear same)	0.80
07/9080-001.1	Cleaning kit in plastic bag	0.55
07/9080-001.1	Rubber foot, front, up to serial # 545 000	0.64
07/9080-001.2	Machine foot assembly, left, complete, for 9 $\frac{1}{2}$ "; 12"; 13"; 15" or 18" carriages, after serial # 147 500 up to 545 000	3.60
07/9080-001.2	Machine foot assembly, right, complete, same as above	3.60
07/9080-001.1	Rubber foot, front, for extra wide assembly	1.20
07/9080-001.1	Rubber foot, rear, for extra wide assembly	1.52
07/9080-001.2	Extra wide feet assembly for 24" & 35" carriages, left, after serial # 122 375	4.16
07/9080-001.2	Same as above, right	4.16
07/9080-001.1/00	Dust cover plate for universal guide, up to serial # 255 000	0.16

# Olympia STANDARD PARTS

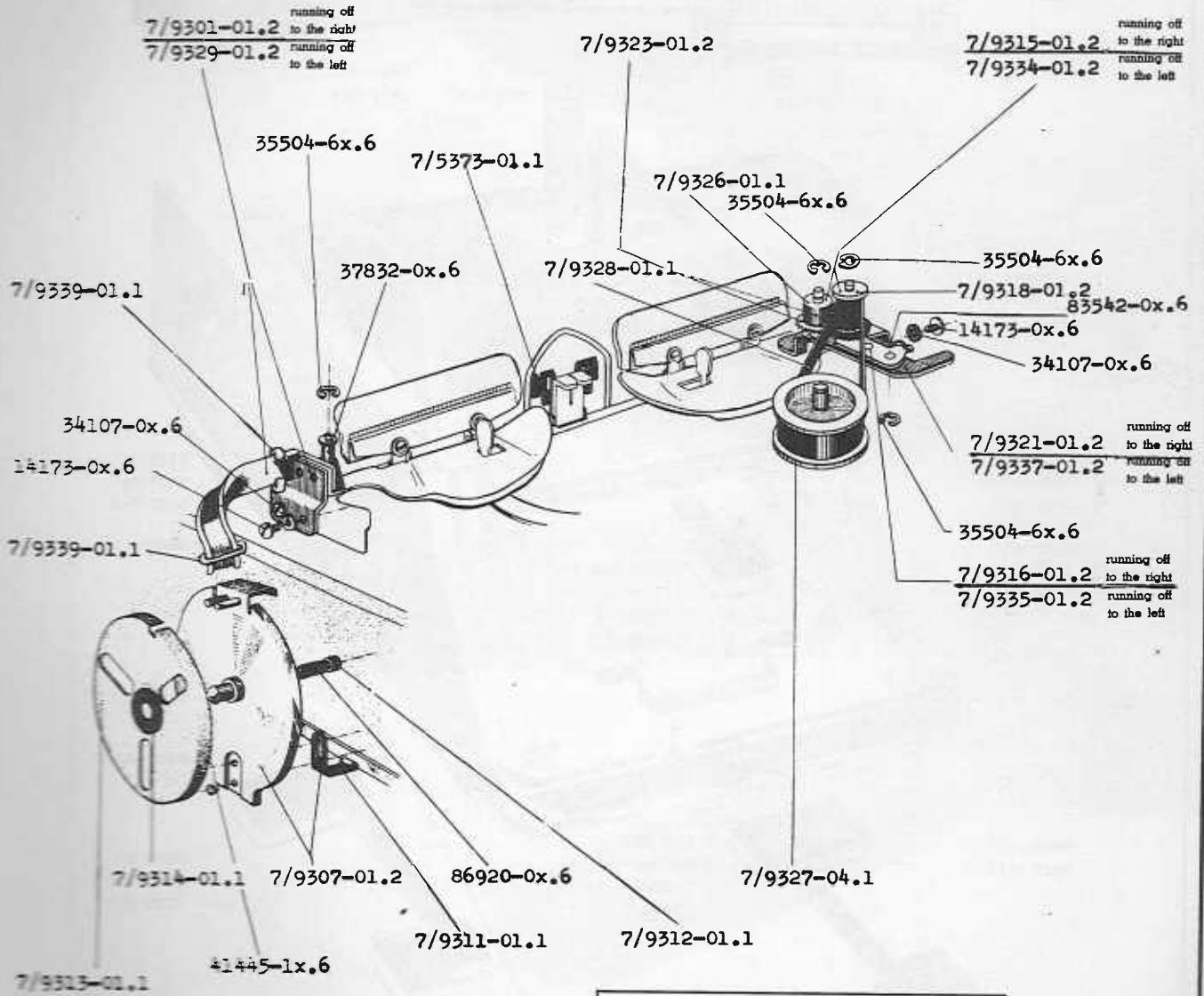
PART NO.	DESCRIPTION	PRICE
07/9214-001.1/02	Dust cover plate for universal guide, after serial # 255 000	0.16
07/9216-001.2	Line lock bar connecting link, after serial # 222 000	0.28
07/9300-004.2	Carbon ribbon attachment <u>running off to the right</u>	18.00 net
07/9301-001.2	Carbon ribbon guide, left	3.20
07/9307-001.2	Carbon ribbon housing back plate with spring	4.00
07/9311-001.1	Flat spring for carbon ribbon housing	0.12
07/9312-001.1	Rubber cushion for carbon ribbon housing	0.08
07/9313-001.1	Carbon ribbon housing cover	2.24
07/9314-001.1	Ratchet ring for carbon ribbon housing	0.24
07/9315-001.2	Ratchet transport wheel assembly, <u>running to the right</u>	5.40
07/9316-001.2	Mounting angle, right, for Transport assembly	1.20
07/9318-001.2	Carbon ribbon transport roll	1.40
07/9321-001.2	Guide rail, right for transport assembly	1.20
07/9323-001.2	Carbon ribbon transport ratchet wheel	0.80
07/9326-001.1	Rubber cover (7.5 mm roll)	0.12
07/9327-004.1	Transport wheel	1.60
07/9328-001.1	Rubber band for ribbon transport	0.08
07/9329-001.2	Carbon ribbon guide, right	3.20
07/9334-001.2	Ratchet transport wheel assembly, <u>running off to the left</u>	5.40
07/9335-001.2	Mounting angle, left, for transport assembly	1.20
07/9337-001.2	Guide rail, left, for transport assembly	1.20
07/9339-001.1	Clip for carbon ribbon guide (use two for assembly)	0.08
07/9340-004.2	Carbon ribbon attachment complete, <u>running from right to left</u>	18.00 net
07/9401-001.2	Shift lock bracket	1.80
07/9403-001.1	Shift lock pawl	1.20
07/9404-001.1	Shift lock lever	0.36
07/9405-001.1	Limit screw for shift lock	0.40
07/9406-001.1	Nut for limit screw for shift lock	0.03
07/9702-001.2	Aligning scale bracket, up to serial # 114 750	1.60
07/9723-005.1/01	Segment cover plate (chrome) engraved: De Luxe 7.6 up to serial # 375 000	1.28
07/9723-005.1/02	Segment cover plate (chrome) engraved: De Luxe 7.6 after serial # 375 000	1.28
07/9724-005.1/00	Segment cover plate (chrome) engraved: Super De Luxe 7.6 up to serial # 375 000	1.28
07/9724-005.1/01	Segment cover plate (chrome) engraved: Super De Luxe 7.6 after serial # 375 000	1.28

Carriage  
10"  
Carriage  
12"  
Carriage  
13"  
Carriage  
15"  
Carriage  
18"  
Carriage  
24"  
Carriage  
35"  
Carriage  
Description

Standard Part

**Olympia**  
STANDARD SGI

Carbon Ribbon Attachment



7/9300-04.2	CRA cpl. set (running off to the right)
7/9340-04.2	CRA cpl. set (running off to the left)

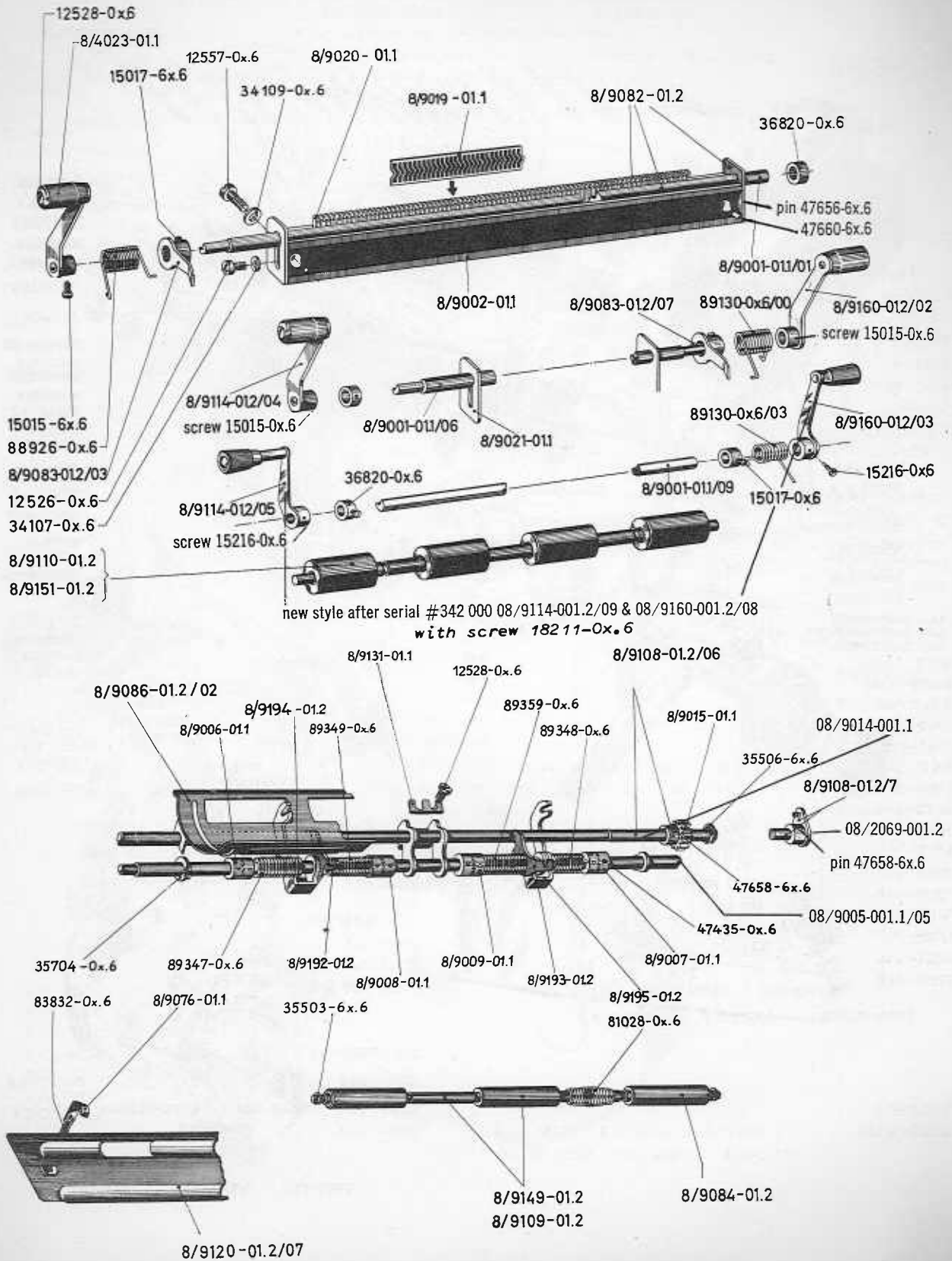


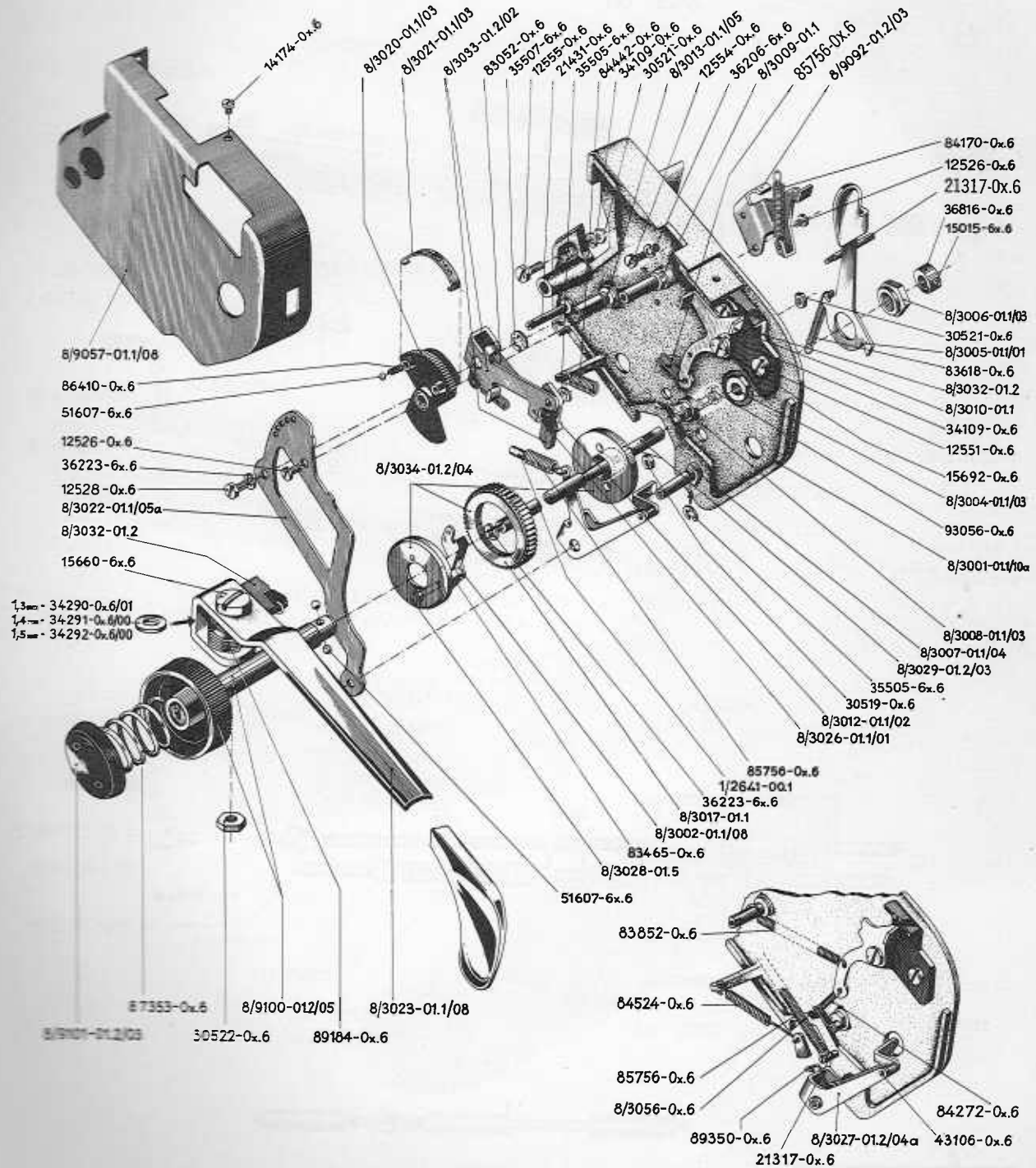
# Olympia

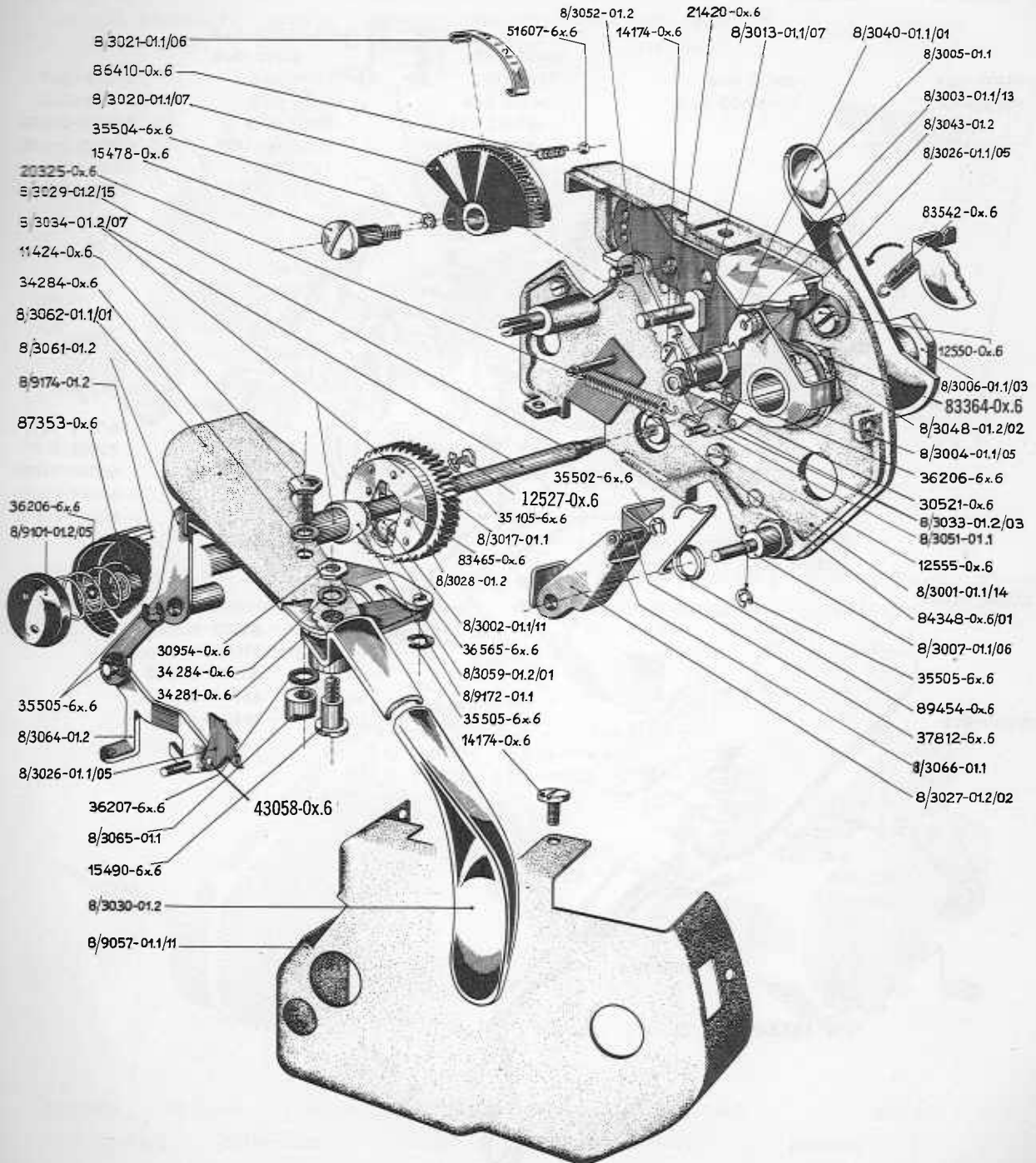
STANDARD SGI

## CARRIAGE

## Paper feed







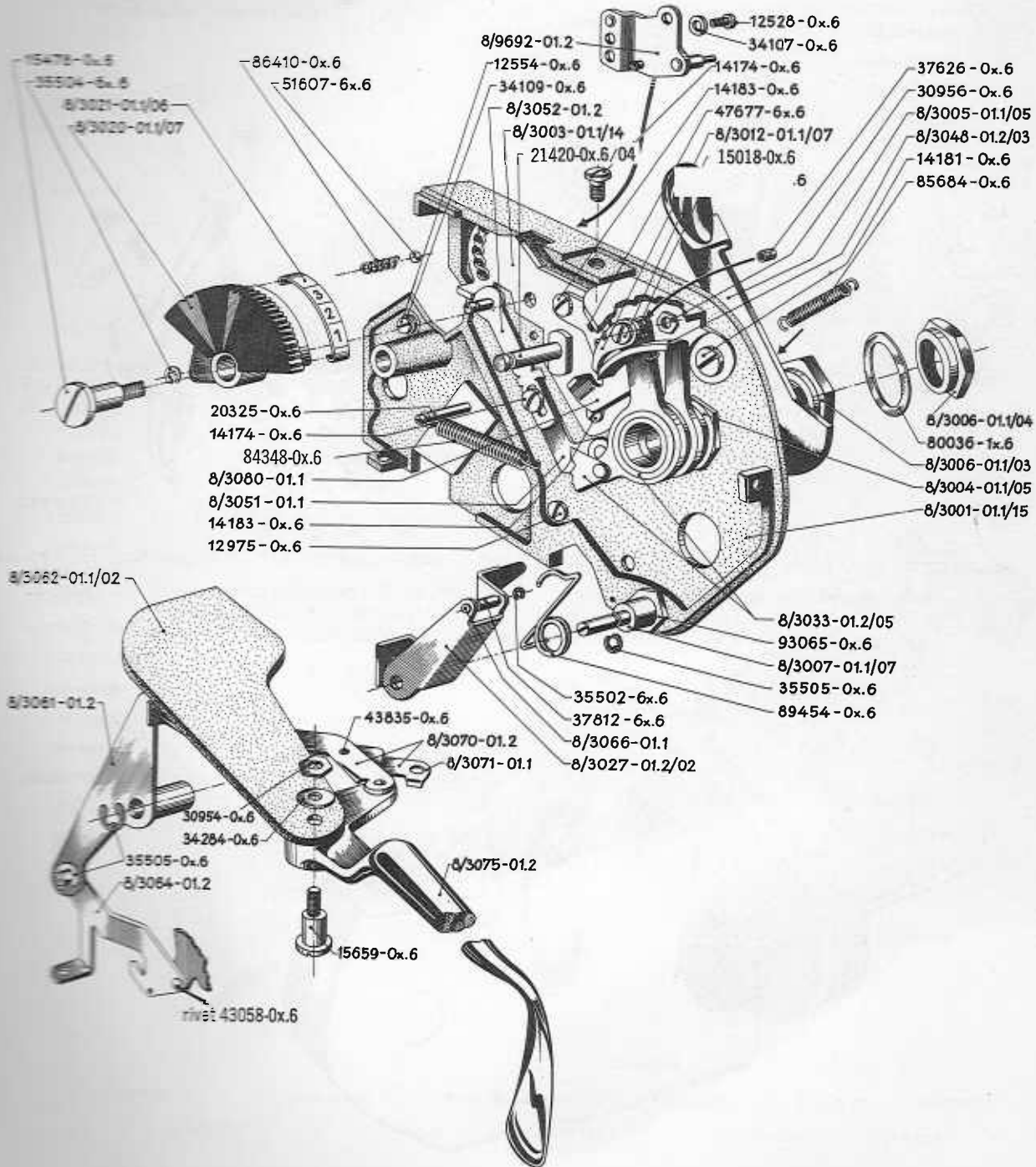
*Olympia*  
STANDARD

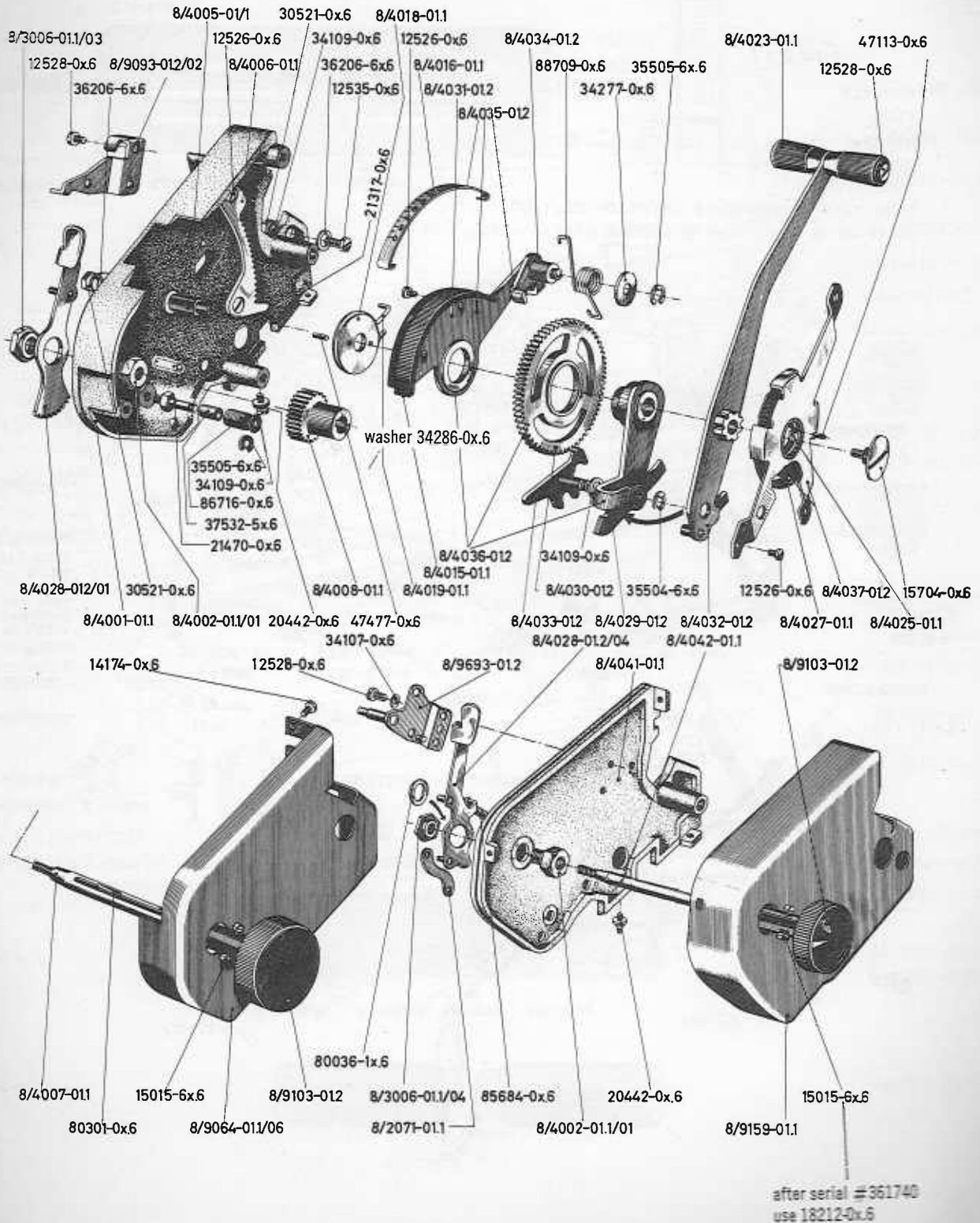
CARRIAGE

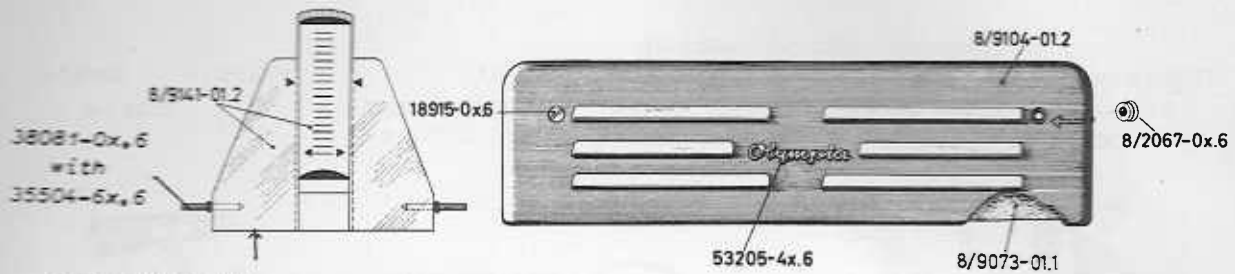
Carriage end, left

3rd style line spacing

(Approx. Serial Nos. 178000 and up)

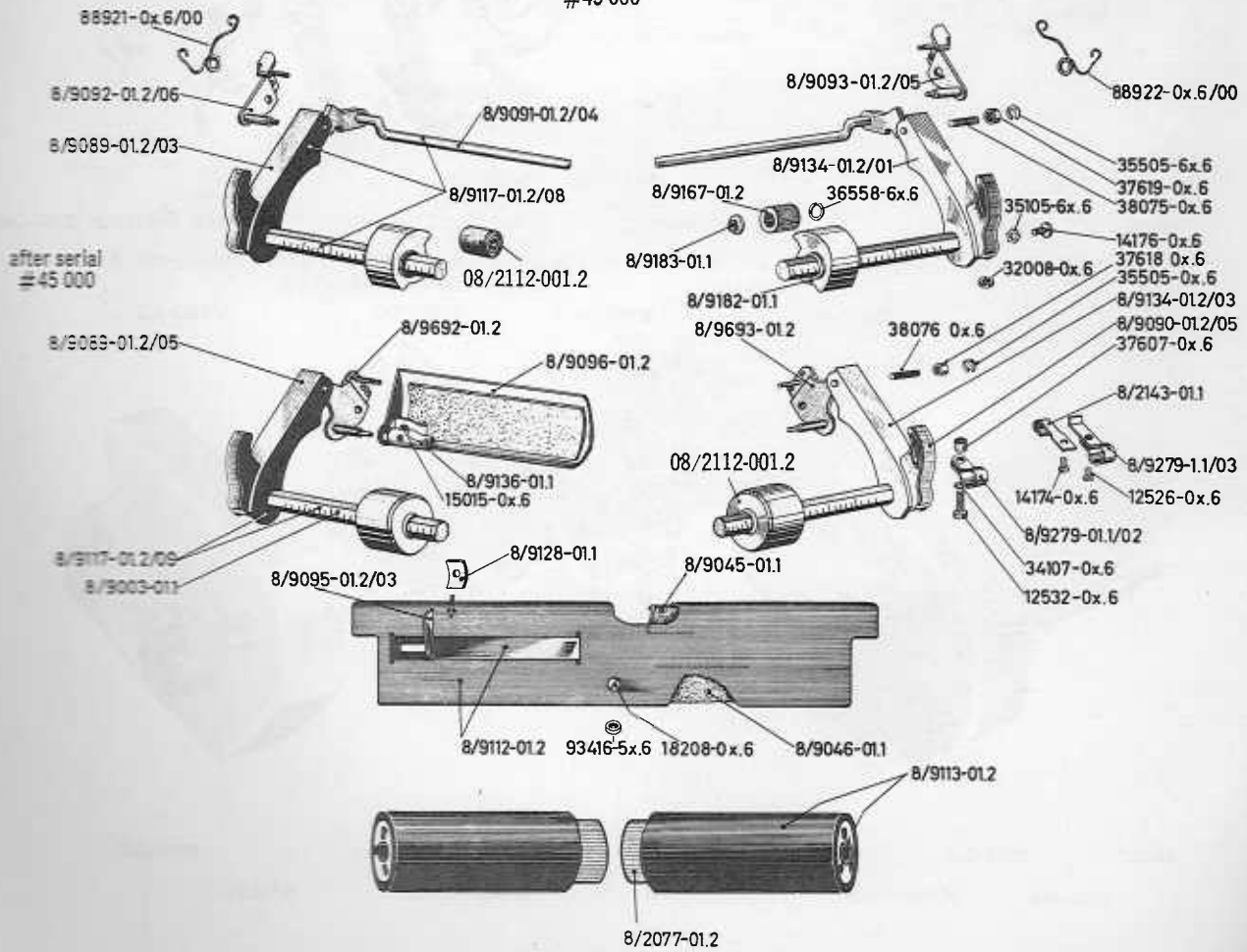


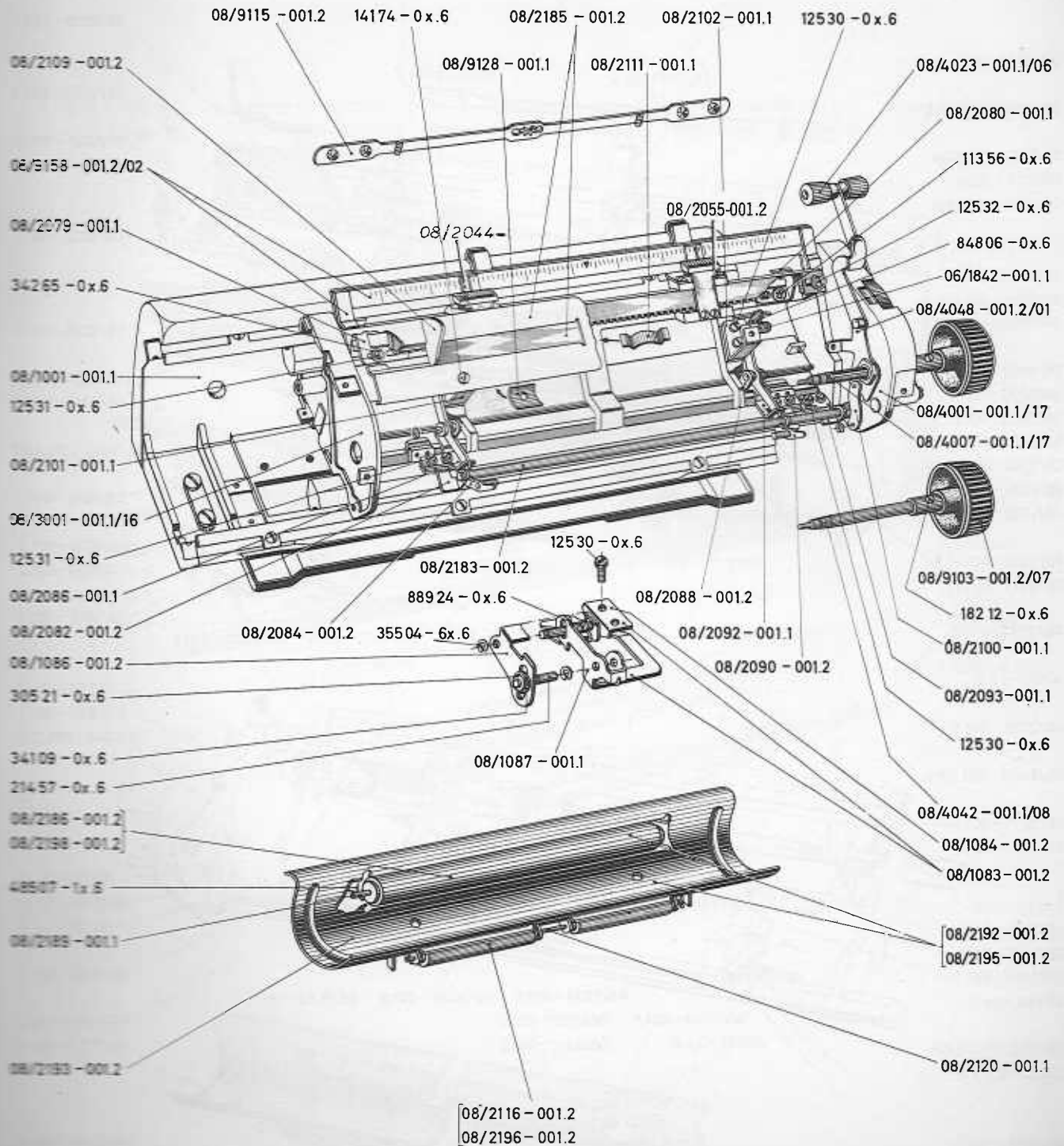




long ruler, new style 08/2135-001.1/00  
bulletin & bold pica & script 08/2135-099.2/00

up to serial  
#45 000



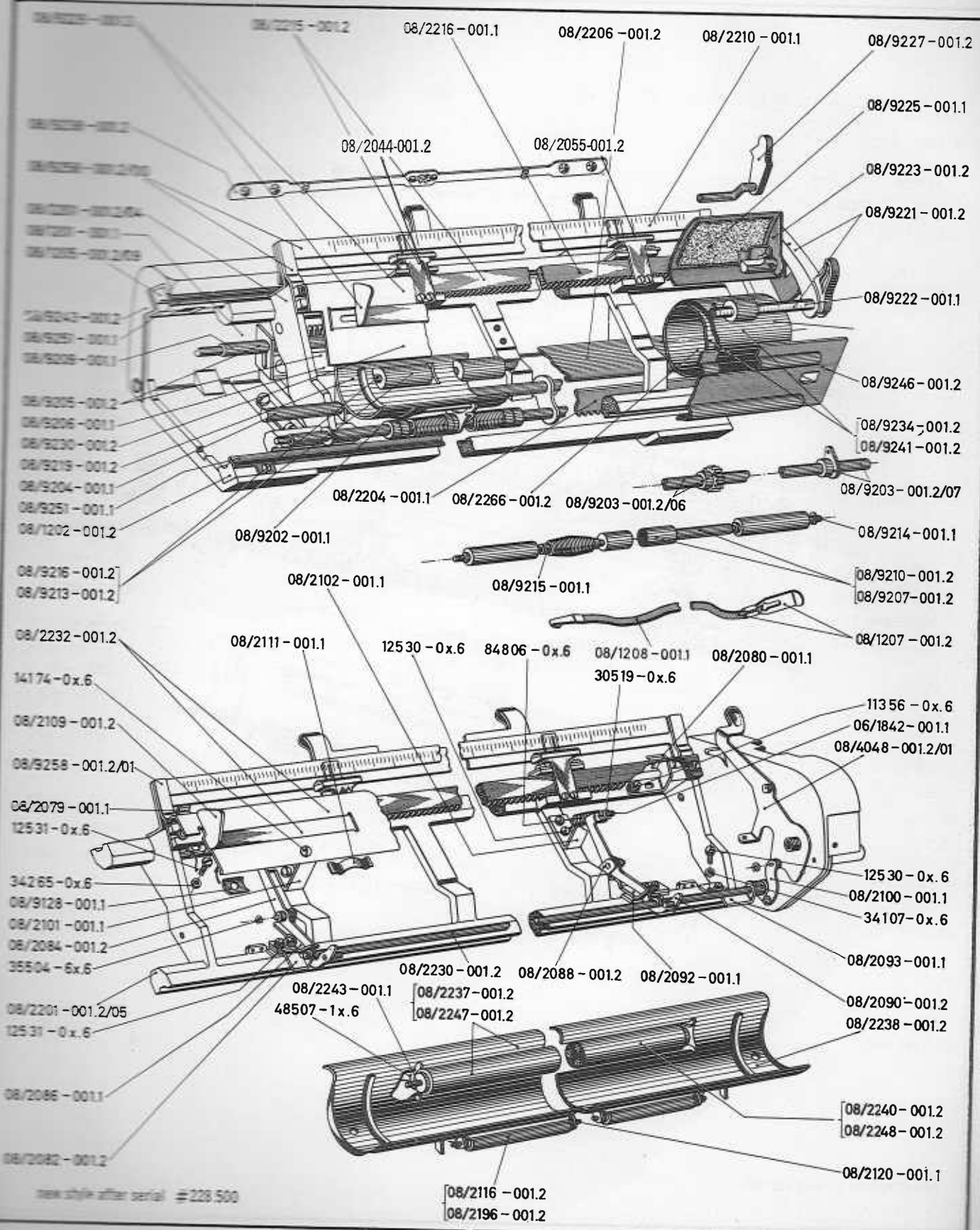


new style after serial #323 000

Olympia  
STANDARD

12" carriage

1. + 2. design

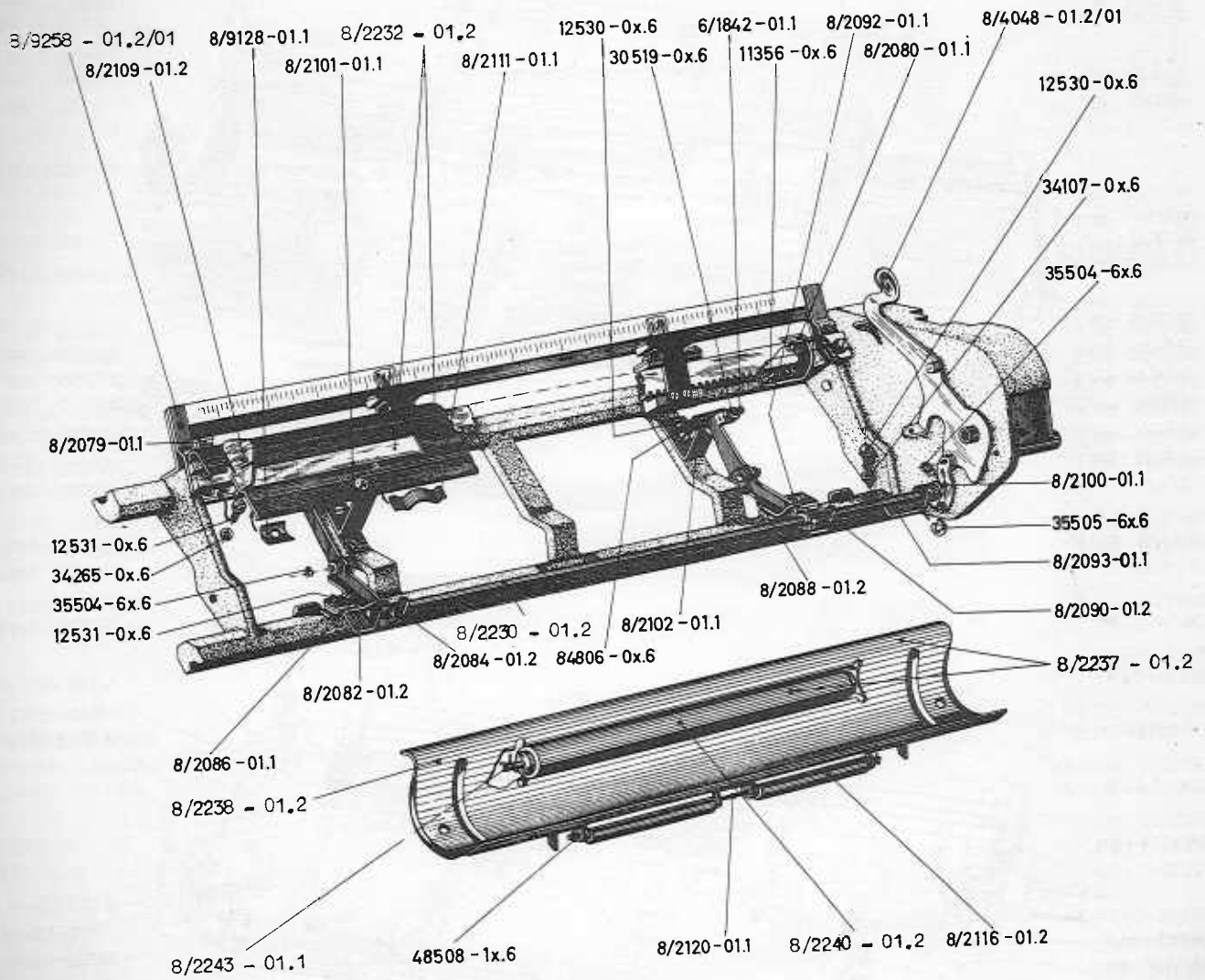


new style after serial #225,500

Check part number on drawings with description for spacing and possible changes, depending on serial number

*Olympia*  
STANDARD

12" CARRIAGE  
2nd style paper feed (after Serial No. 7-228500)



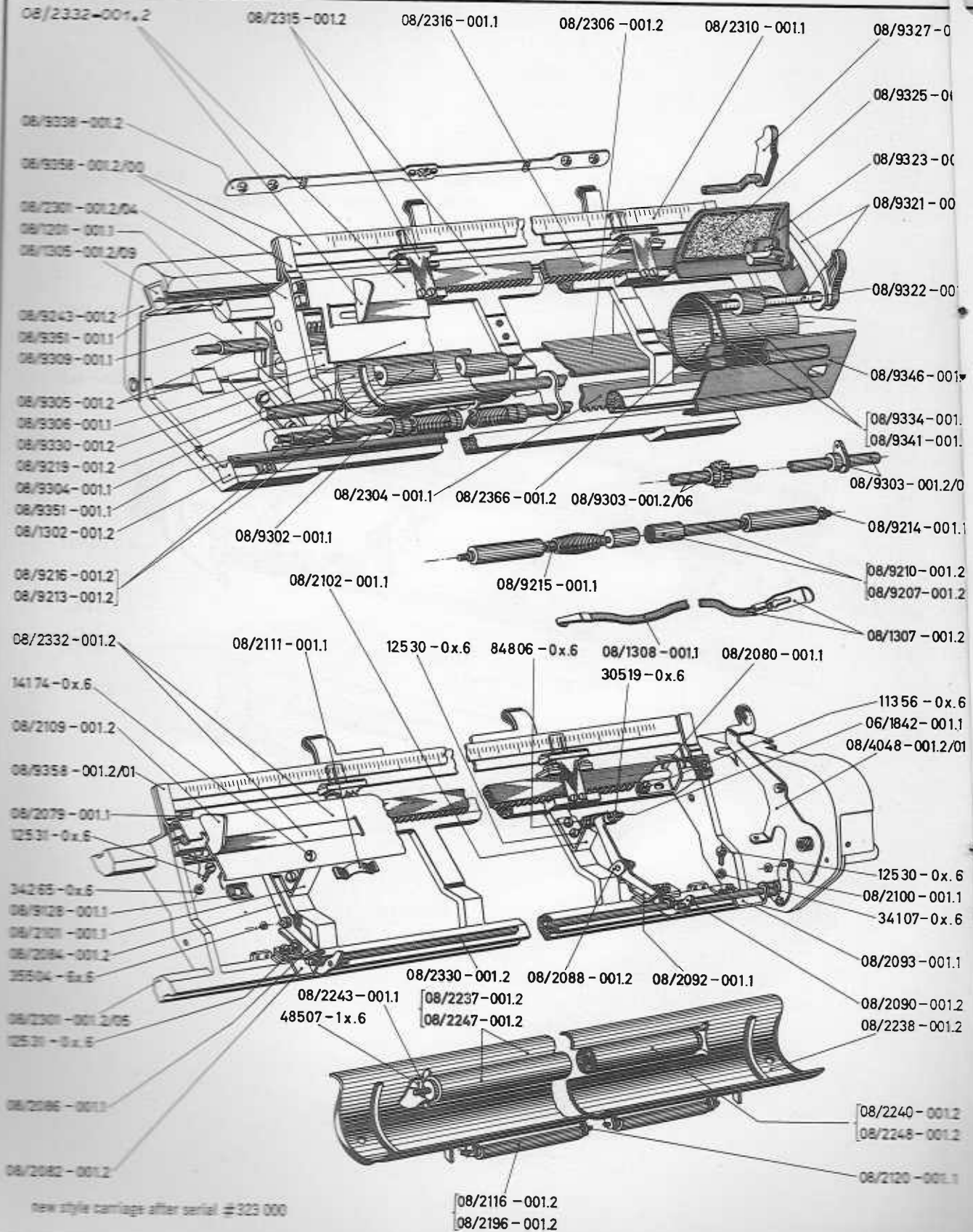
Check part number on drawings with description for spacing and possible changes, depending on serial number

Carriage  
Carriage  
Carriage  
Carriage  
Carriage  
Carriage  
Carriage  
Description

# Olympia

STANDARD

## 13" carriage



new style carriage after serial #323 000

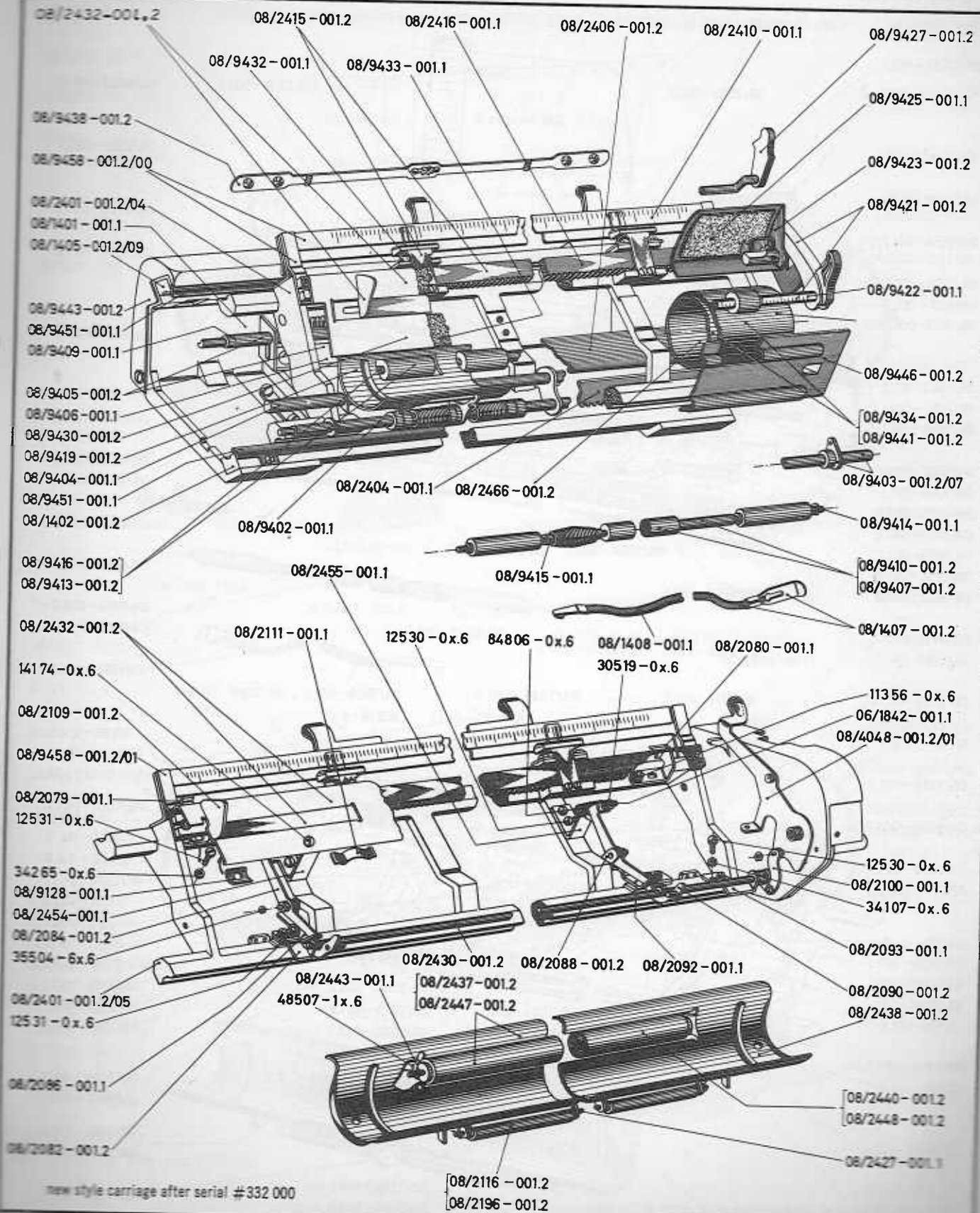
Check part number on drawings with description for spacing and possible changes, depending on serial number

# Olympia

## STANDARD

### 15" CARRIAGE

Only parts shown which differ according to carriage size.



new style carriage after serial #332 000

Check part number on drawings with description for spacing and possible changes, depending on serial number.

Carriage

Carriage

Carriage

Carriage

Carriage

Carriage Description

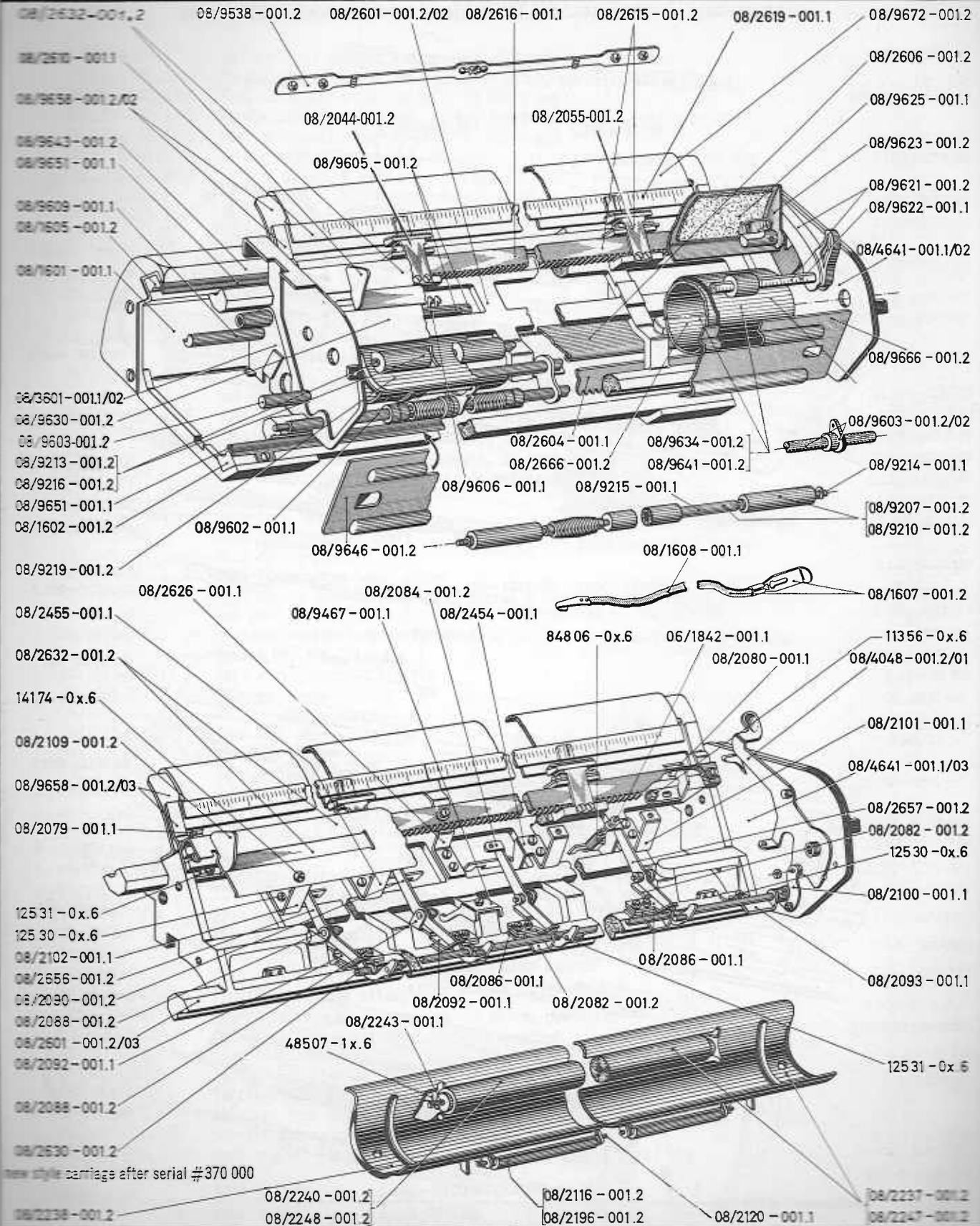


# Olympia

STANDARD

## 24" CARRIAGE

Only parts shown which differ according to carriage size.



18"  
Carriage

24"  
Carriage

35"  
Carriage

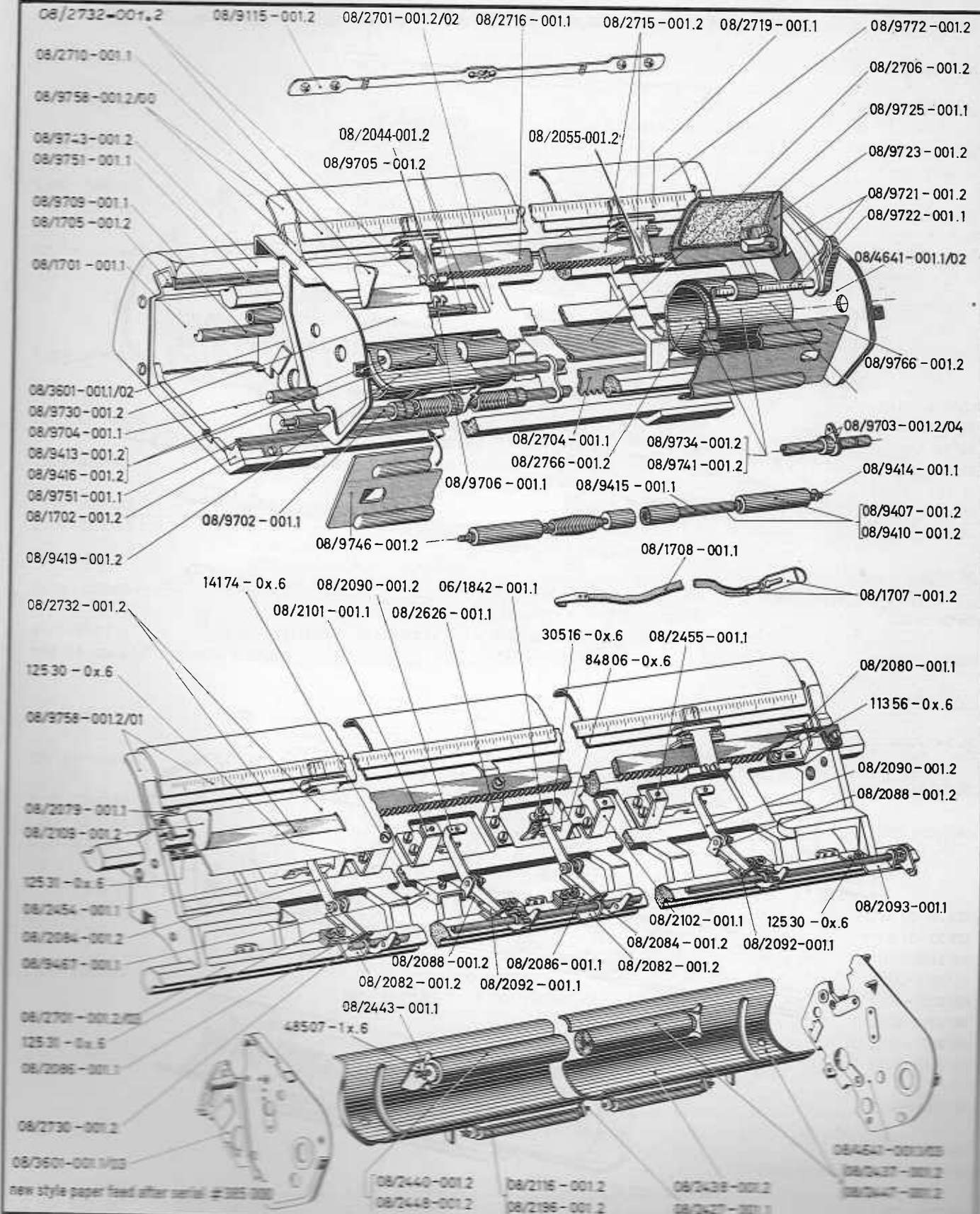
Carriage  
Description

Check part number on drawings with description for spacing and possible changes, depending on serial number

# Olympia

## STANDARD SGI

35" CARRIAGE  
 Only parts shown which differ  
 according to carriage size.



# Olympia STANDARD PARTS

PART NO.	DESCRIPTION	PRICE
08/1001-001.1	9½" carriage support and bearing rail carrier	18.00
08/1003-001.1/06	Margin stop block, 4 mmø, pica, 10 pitch, up to serial # 83 000	0.88
08/1003-001.1/09	Same as above, after serial # 83 000 5 mmø	0.88
08/1003-035.1/03	Margin stop block, 4 mmø, elite, 11 pitch, up to serial # 83 000	0.88
08/1003-035.1/06	Same as above, after serial # 83 000 5 mmø	0.88
08/1003-045.1/00	Margin stop block, 4 mmø, diamond, 14 pitch, up to serial # 83 000	0.88
08/1003-045.1/03	Same as above, 5 mmø, after serial # 83 000	0.88
08/1003-055.1	Margin stop block, 5 mm ø, elite, 12 pitch	0.88
08/1003-065.1	Margin stop block, 5 mm ø, diamond, 17 pitch	0.88
08/1004-001.1/07	Carriage lock lever for 12" and 13" carriage, up to serial # 298 000, after serial # 298 000 use part # 08/1087-001.1/04	0.28
08/1010-001.1	Bell trip pawl bracket	0.20
08/1011-001.1	Bell trip pawl	0.24
08/1012-001.1/03	Line lock bell crank arm, 1.style, pica, 10 pitch	0.36
08/1012-001.1/05	Line lock bell crank arm, 2.style, pica, 10 pitch (Obsolete) use 08/1075-001.2 instead	0.36
08/1012-035.1/04	Line lock bell crank arm, 1.style, elite, 11 & 12 pitch, (Obsolete) use 08/1075-065.2 instead	0.36
08/1012-035.1/06	Same as above, 2. style (Obsolete) use 08/1075-065.2 instead	0.36
08/1012-065.1	Line lock bell crank arm, diamond, 17 pitch	0.36
08/1013-001.1/01	Line lock release slide, 1. style, up to serial # 83 000	0.20
08/1013-001.1/02	Line lock release slide, 2. style, after serial # 83 000	0.20
08/1016-001.1	Line lock release lever	0.28
08/1017-001.1	Line lock release shaft	0.16
08/1018-001.1	Line lock pressure shaft	0.08
08/1022-001.1	Main spring shaft	0.52
08/1024-001.1	Main spring drum cover plate	0.28
08/1025-001.1	Main spring detent pawl, up to serial # 140 000, after serial # 140 000 use part # 08/1625-001.1	0.24
08/1026-001.1	Main spring ratchet, up to serial # 140 000, after serial # 140 000 use part # 08/1626-001.1	0.12
08/1027-001.1	Main spring tension bracket	0.12
08/1029-001.1	Draw band hook	0.08
08/1030-001.1	Draw band drum hanger	0.08
08/1032-001.1	Line lock connecting wire	0.08
08/1037-001.2	9½" lower carriage rail	7.68
08/1038-001.2/09	9½" upper carriage rail, up to serial # 83 000	7.40
08/1038-001.2/10	9½" upper carriage rail, after serial # 83 000	7.40
08/1039-001.2/04	Back assembly plate, up to serial # 83 000	1.36
08/1039-001.2/07	Back assembly plate, after serial # 83 000	1.36
08/1040-001.2	Bell hammer	0.36
08/1041-001.2/01	Line lock release shaft, 4 mm ø, up to serial # 83 000	0.48
08/1041-001.2/03	Line lock release shaft, N, 5 mmø, after serial # 83 000	0.48
08/1042-001.2	Main spring drum wall and front plate	0.64
08/1043-001.2	9½" draw band complete	0.44
08/1051-001.2/06	Guide bolt plate	0.72
08/1057-001.1/01	Main spring shaft screw	0.32
08/1066-001.1	Line lock release slide, part 2, after serial # 83 000	0.08
08/1075-001.2	Line lock bell crank arm, pica 10 pitch, new style	0.36
08/1075-045.2	Line lock bell crank arm, diamond, 14 pitch	0.36
08/1075-055.2	Line lock bell crank arm, elite, 12 pitch	0.36
08/1075-065.2	Line lock bell crank arm, diamond, 17 pitch, new style	0.36
08/1083-001.2	Carriage lock for 12" & 13" carriage, after serial # 293 000	2.00
08/1084-001.2	Carriage lock guide bracket for 12" & 13" carriage, after serial # 293 000	0.46
08/1084-001.2/02	Same as above, after serial # 298 000	0.46
08/1086-001.1	Lock bracket for 12" & 13" carriage, after serial # 293 000	0.46

Prices Subject to Change Without Notice

# Olympia STANDARD PARTS

PART NO.	DESCRIPTION	PRICE
08/1087-001.1	Carriage lock lever for 12" & 13" carriage, after serial # 293 000	0.54
08/1087-001.1/04	Same as above, after serial # 298 000	0.54
08/1113-001.2	Line lock bell crank arm, pica, 10 pitch	0.36
08/1113-035.2	Line lock bell crank arm, elite, 11 pitch	0.36
08/1201-001.1	12" & 13" carriage support and bearing rail up to serial # 293 000	20.00
08/1201-050.1	Same as above, after serial # 293 000	20.00
08/1202-001.2	12" lower carriage rail	8.80
08/1205-001.2/08	12" upper carriage rail, up to serial # 83 000	7.84
08/1205-001.2/09	Same as above, after serial # 83 000	7.84
08/1207-001.2	12" carriage draw band complete	0.48
08/1302-001.2	13" lower carriage rail	8.32
08/1305-001.2/03	13" upper carriage rail, up to serial # 83 000	8.08
08/1305-001.2/04	Same as above, after serial # 83 000	8.08
08/1307-001.2	13" carriage draw band (complete)	0.48
08/1354-050.2	Carriage lock complete for all size carriages	1.75
08/1401-001.1	15" carriage support and bearing rail, up to serial # 293 000	30.40
08/1401-050.1	Same as above after serial # 293 000	30.40
08/1402-001.2	15" lower carriage rail	11.20
08/1405-001.2/03	15" upper carriage rail, up to serial # 83 000	11.04
08/1405-001.2/04	Same as above, after serial # 83 000	11.04
08/1407-001.2	15" carriage draw band complete	0.52
08/1501-001.1	18" carriage support and bearing rail carrier up to serial # 293 000	34.40
08/1501-050.1	Same as above, after serial # 293 000	34.40
08/1502-001.2	18" lower carriage rail	13.44
08/1505-001.2/02	18" upper carriage rail, up to serial # 83 000	13.32
08/1505-001.2/03	Same as above, after serial # 83 000	13.32
08/1507-001.2	18" carriage draw band complete	0.56
08/1601-001.1	24" carriage support & bearing rail carrier, up to serial # 293 000	65.60
08/1601-050.1	24" carriage support & bearing rail carrier, after serial # 293 000	65.60
08/1602-001.2	24" lower carriage rail	18.32
08/1605-001.2	24" upper carriage rail	18.32
08/1607-001.2	24" carriage draw band complete	0.60
08/1625-001.1	Main spring detent pawl, after serial # 140 000	0.32
08/1626-001.1	Main spring ratchet, after serial # 140 000	0.16
08/1667-001.2	Main spring space bracket, after serial # 140 000	1.04
08/1671-001.2	Carriage lock bracket	0.64
08/1701-001.1	35" carriage support & bearing rail carrier	108.00
08/1701-050.1	35" carriage support & bearing rail carrier, new style	108.00
08/1702-001.2	35" lower carriage rail	22.80
08/1705-001.2	35" upper carriage rail	22.40
08/1707-001.2	35" carriage draw band complete	0.72
08/2002-001.1	Margin stop guide bracket left	1.52
08/2003-001.1	9½" margin stop rack, pica, 10 pitch	1.52
08/2003-035.1	9½" margin stop rack, elite, 11 pitch	1.52
08/2003-045.1	9½" margin stop rack, diamond, 14 pitch	1.52
08/2003-055.1	9½" margin stop rack, elite, 12 pitch	1.52
08/2003-065.1	9½" margin stop rack, diamond, 17 pitch	1.52
08/2004-001.1/02	Margin stop guide bracket, right (old style)	1.28
08/2004-001.1/05	Same as above, right (new style)	1.28
08/2006-001.1	9½" carriage rack, pica, 10 pitch	1.92
08/2006-035.1	Same as above, elite, 11 pitch	1.92
08/2006-045.1	9½" carriage rack, diamond, 14 pitch	1.92
08/2006-055.1	9½" carriage rack, elite, 12 pitch	1.92
08/2006-065.1	9½" carriage rack, diamond, 17 pitch	1.92
08/2007-001.1	Center support bracket	0.16
08/2013-001.1	9½" margin stop scale, pica, 10 pitch	0.88

# Olympia STANDARD PARTS

PART NO.	DESCRIPTION	PRICE
08/2013-035.1	9½" margin stop scale, elite, 11 pitch	0.88
08/2013-045.1	9½" margin stop scale, diamond, 14 pitch	0.88
08/2013-055.1	9½" margin stop scale, elite, 12 pitch	0.88
08/2013-065.1	9½" margin stop scale, diamond, 17 pitch	0.88
08/2013-003.1	9½" margin stop scale, pica, BRAILLE machine	0.88
08/2013-038.1	9½" margin stop scale, elite, 11 pitch, BRAILLE machine	0.88
08/2025-001.1	Margin stop lock, pica, 10 pitch	0.36
08/2025-035.1	Margin stop lock, elite, 11 pitch	0.36
08/2025-045.1	Margin stop lock, diamond, 14 pitch	0.36
08/2025-055.1	Margin stop lock, elite, 12 pitch	0.36
08/2025-065.1	Margin stop lock, diamond, 17 pitch	0.36
08/2026-001.1	Margin stop pointer, left, for pica 10 pitch and elite 11 pitch	0.16
08/2026-045.1	Margin stop pointer, left & right, for 12, 14 & 17 pitch	0.16
08/2027-001.1	Margin stop pointer, right, for pica 10 pitch and elite 11 pitch	0.16
08/2030-001.1/05	Margin stop bracket, right, 22.5 mm wide, pica 10 pitch	0.12
08/2030-001.1/06	Same as above, 24 mm wide	0.12
08/2030-035.1	Margin stop bracket, right, 24 mm wide, elite 11 pitch	0.12
08/2030-045.1/00	Margin stop bracket, right, 22.5 mm wide, diamond, 14 pitch, elite 12 pitch	0.12
08/2030-045.1/01	Same as above, 24 mm wide	0.12
08/2030-065.1	Margin stop bracket, right, 24 mm wide, diamond, 17 pitch	0.12
08/2038-001.2/09	9½" carriage cradle frame, up to serial # 228 500	17.60
08/2038-001.2/10	9½" carriage cradle frame, after serial # 228 500	17.60
08/2042-001.2/04	Paper support, wide, for 18" carriage, 10, 11 & 12 pitch, up to serial # 467 000	3.12
08/2042--045.2	Same as above, for diamond, 14 pitch, up to serial # 467 000	3.12
08/2042-050.2	Paper support, wide, plastic, after serial # 467 000	3.12
08/2044-001.2	Margin stop plunger, right	0.64
08/2047-001.2	9½" carriage release rail	2.12
08/2050-001.2/06	Margin stop complete, pica, 10 pitch, <u>1. style</u>	3.60
08/2050-001.2/07	Margin stop complete, left, pica 10 pitch, <u>2. style</u>	3.60
08/2050-035.2	Margin stop complete, left, elite 11 pitch	3.60
08/2050-045.2/00	Margin stop complete, left, diamond, 14 pitch, <u>1. style</u>	3.60
08/2050-045.2/01	Margin stop complete, left, diamond, 14 pitch, <u>2. style</u>	3.60
08/2050-055.2	Margin stop complete, left, elite, 12 pitch	3.60
08/2050-065.2	Margin stop complete, left, diamond, 17 pitch	3.60
08/2051-001.2	Margin stop complete, right, pica 10 pitch	3.12
08/2051-035.2	Margin stop complete, right, elite 11 pitch	3.12
08/2051-045.2	Margin stop complete, right, diamond, 14 pitch	3.12
08/2051-055.2	Margin stop complete, elite, 12 pitch, right	3.12
08/2051-065.1	Margin stop complete, right, diamond, 17 pitch	3.12
08/2052-001.2	9½" margin rack and stops, complete, pica 10 pitch	8.56
08/2052-035.2	9½" margin rack and stops, complete, elite, 11 pitch	8.56
08/2052-045.2	9½" margin rack and stops, complete, diamond 14 pitch	8.56
08/2052-055.2	9½" margin rack and stops, complete, elite, 12 pitch	8.56
08/2052-065.2	9½" margin rack and stops, complete, diamond 17 pitch	8.56
08/2055-001.2	margin stop plunger, left	0.64
08/2063-003.1	Margin stop indicator for BRAILLE machine	0.16
08/2067-001.2	Disc for carriage back plate, complete with rubber washer	0.16
08/2069-001.2	Lever for paper release shaft	0.32
08/2071-001.1	Connection link for paper release, up to serial # 228 500, after serial # 228 500 use part # 08/2100-001.1	0.04
08/2077-001.2	9½" platen core without rubber	5.48
08/2078-001.1	Paper support for continual forms	0.56
08/2079-001.1	Margin stop bracket, left, after serial # 172 000 for 12" carriage, after serial # 219 000 for 13" carriage, after serial # 223 000 for 15" carriage	0.12
08/2080-001.1	Margin stop bracket, right, after serial # 172 000 for 12" carriage, after serial # 219 000 for 13" carriage, after serial # 223 000 for 15" carriage	0.12

Prices Subject to Change Without Notice

# Olympia STANDARD PARTS

PART NO.	DESCRIPTION	PRICE
08/2062-001.2	Bearing bracket, left, for paper feed, after serial # 228 500	0.28
08/2064-001.2	Rest arm for paper pan, left, after serial # 228 500	0.48
08/2066-001.1	Guide for rest arm, left, after serial # 228 500	0.32
08/2068-001.2	Bearing bracket, left, for paper feed, after serial # 228 500	0.28
08/2090-001.2	Rest arm for paper pan, right, after serial # 228 500	0.48
08/2092-001.1	Guide for rest arm, after serial # 228 500	0.32
08/2095-001.1	Bracket for paper release shaft, after serial # 228 500	0.16
08/2100-001.1	Connecting link for paper release, after serial # 228 500	0.04
08/2101-001.1	Support bracket for paper table, left, after serial # 228 500	0.24
08/2102-001.1	Support bracket for paper table, right, after serial # 228 500	0.24
08/2109-001.2	Paper guide, after serial # 228 500	1.60
08/2111-001.1	Flat spring for paper guide, after serial # 228 500	0.08
08/2112-001.2	Paper bail roll, thick (rubber)	0.48
08/2116-001.2	Front feed rolls, rubber, after serial # 228 500	0.96
08/2120-001.1	Front feed roll shaft, for 10, 12, 13, 18 & 24" carriages	0.28
08/2135-001.2/00	Legal size paper support (long slider) for 10, 11 & 12 pitch	1.85
08/2135-045.2/00	Legal size paper support (long slider) for 14 pitch	1.85
08/2135-099.2/00	Legal size paper support (long slider) for Bulletin type, bold pica, script	1.85
08/2143-001.1	Locking plate	0.06
08/2174-001.1	Support for carriage rack	0.48
08/2183-001.2	9½" paper release shaft, after serial # 228 500	1.52
08/2185-001.2	9½" paper table with guide, complete, after serial # 228 500	3.28
08/2186-001.2	9½" rear feed rolls, after serial # 228 500	2.40
08/2189-001.1	9½" shaft for rear feed roll, after serial # 228 500	0.28
08/2192-001.2	9½" paper pan complete with feed rolls, after serial # 228 500	7.20
08/2193-001.2	9½" paper pan without feed rolls, after serial # 228 500	1.60
08/2195-001.2	9½" paper pan complete with stencil feed rolls, after serial # 228 500	7.20
08/2196-001.2	9½" front feed rolls, stencil, after serial # 228 500	0.96
08/2198-001.2	9½" rear feed rolls, stencil, after serial # 228 500	2.40
08/2201-001.2	12" carriage cradle frame, up to serial # 228 500	19.84
08/2201-001.2/05	12" carriage cradle frame, after serial # 228 500	19.84
08/2204-001.1	12" carriage rack, pica, 10 pitch	2.08
08/2204-035.1	12" carriage rack, elite, 11 pitch	2.08
08/2204-045.1	12" carriage rack, diamond, 14 pitch	2.08
08/2204-055.1	12" carriage rack, elite, 12 pitch	2.08
08/2204-065.1	12" carriage rack, diamond, 17 pitch	2.08
08/2206-001.2	12" carriage release rail	2.24
08/2210-001.1	12" margin stop scale, pica, 10 pitch	0.96
08/2210-035.1	12" margin stop scale, elite, 11 pitch	0.96
08/2210-045.1	12" margin stop scale, diamond, 14 pitch	0.96
08/2210-055.1	12" margin stop scale, elite, 12 pitch	0.96
08/2210-065.1	12" margin stop scale, diamond, 17 pitch	0.96
08/2210-003.1	12" margin stop scale, pica, 10 pitch for BRAILLE machine	0.96
08/2210-038.1	12" margin stop scale, elite, 11 pitch for BRAILLE machine	0.96
08/2215-001.2	12" margin rack with stops complete, pica 10 pitch	8.64
08/2215-035.2	12" margin rack with stops complete, elite, 11 pitch	8.64
08/2215-045.2	12" margin rack with stops complete, diamond, 14 pitch	8.64
08/2215-055.2	12" margin rack with stops complete, elite, 12 pitch	8.64
08/2215-065.2	12" margin rack with stops complete, diamond, 17 pitch	8.64
08/2216-001.1	12" margin stop rack, pica, 10 pitch	1.60
08/2216-035.1	12" margin stop rack, elite, 11 pitch	1.60
08/2216-045.1	12" margin stop rack, diamond, 14 pitch	1.60
08/2216-055.1	12" margin stop rack, elite, 12 pitch	1.60
08/2216-065.1	12" margin stop rack, diamond, 17 pitch	1.60
08/2230-001.2	12" paper release shaft, after serial # 228 500, new style	1.60
08/2232-001.2	12" paper table complete with guide	3.52

# Olympia STANDARD PARTS

PART NO.	DESCRIPTION	PRICE
08/2237-001.2	12" paper pan with front & rear feed rolls (rubber) after serial # 228 500	8.16
08/2238-001.2	12" paper pan, new style, after serial # 228 500	2.30
08/2240-001.2	Feed roll rear, reg rubber, for 12" and 2 for 24" carriage, after serial # 228 500	2.80
08/2243-001.1	12" feed roll shaft (2 for 24")	0.40
08/2248-001.2	Feed roll rear, oil resistant, for 12" and 2 for 24", after serial # 228 500	2.80
08/2266-001.2	12" platen core, without rubber	6.40
08/2301-001.2	13" carriage cradle frame	21.28
08/2301-001.2/03	13" carriage cradle frame, up to serial # 323 000	21.28
08/2301-001.2/04	13" carriage cradle frame, after serial # 323 000	21.28
08/2304-001.1	13" carriage rack, pica, 10 pitch	2.16
08/2304-035.1	13" carriage rack, elite, 11 pitch	2.16
08/2304-045.1	13" carriage rack, diamond, 14 pitch	2.16
08/2304-055.1	13" carriage rack, elite, 12 pitch	2.16
08/2304-065.1	13" carriage rack, diamond, 17 pitch	2.16
08/2306-001.2	13" carriage release rail	2.36
08/2310-001.1	13" margin stop scale, pica, 10 pitch	1.00
08/2310-035.1	13" margin stop scale, elite, 11 pitch	1.00
08/2310-045.1	13" margin stop scale, diamond, 14 pitch	1.00
08/2310-055.1	13" margin stop scale, elite, 12 pitch	1.00
08/2310-065.1	13" margin stop scale, diamond, 17 pitch	1.00
08/2310-003.1	13" margin stop scale, pica, 10 pitch for BRAILLE machine	1.00
08/2310-038.1	13" margin stop scale, elite, 11 pitch for BRAILLE machine	1.00
08/2315-001.2	13" margin rack with stops, complete, pica, 10 pitch	8.80
08/2315-035.2	13" margin rack with stops, complete, elite, 11 pitch	8.80
08/2315-045.1	13" margin rack with stops, complete, diamond, 14 pitch	8.80
08/2315-055.1	13" margin rack with stops, complete, elite, 12 pitch	8.80
08/2315-065.1	13" margin stop rack with stops, complete, micro diamond, 17 pitch	8.80
08/2316-001.1	13" margin stop rack, pica, 10 pitch	1.68
08/2316-035.1	13" margin stop rack, elite, 11 pitch	1.68
08/2316-045.1	13" margin stop rack, diamond, 14 pitch	1.68
08/2316-055.1	13" margin stop rack, elite, 12 pitch	1.68
08/2316-065.1	13" margin stop rack, diamond, 17 pitch	1.68
08/2330-001.2	13" paper release shaft	1.60
08/2332-001.2	13" paper table with guide complete	3.60
08/2366-001.2	13" platen core without rubber	6.32
08/2401-001.2	15" carriage cradle frame	28.80
08/2401-001.2/03	15" carriage cradle frame, up to serial # 332 000	28.80
08/2401-001.2/04	15" carriage cradle frame, after serial # 332 000	28.80
08/2404-001.1	15" carriage rack, pica, 10 pitch	2.40
08/2404-035.1	15" carriage rack, elite, 11 pitch	2.40
08/2404-045.1	15" carriage rack, diamond, 14 pitch	2.40
08/2404-055.1	15" carriage rack, elite, 12 pitch	2.40
08/2404-065.1	15" carriage rack, diamond, 17 pitch	2.40
08/2406-001.2	15" carriage release rail	2.60
08/2410-001.1	15" margin stop scale, pica, 10 pitch, 2.6 mm spacing	1.04
08/2410-035.1	15" margin stop scale, elite, 11 pitch	1.04
08/2410-045.1	15" margin stop scale, diamond, 14 pitch	1.04
08/2410-055.1	15" margin stop scale, elite, 12 pitch	1.04
08/2410-065.1	15" margin stop scale, diamond, 17 pitch	1.04
08/2410-003.1	15" margin stop scale, pica, 10 pitch for BRAILLE machine	1.04
08/2410-038.1	15" margin stop scale, elite, 11 pitch for BRAILLE machine	1.04
08/2415-001.2	15" margin rack with stops complete, pica, 10 pitch	8.96
08/2415-035.2	15" margin rack with stops complete, elite, 11 pitch	8.96
08/2415-045.2	15" margin rack with stops complete, diamond, 14 pitch	8.96
08/2415-055.2	15" margin rack with stops complete, elite, 12 pitch	8.96
08/2415-065.2	15" margin rack with stops complete, diamond, 17 pitch	8.96
08/2416-001.1	15" margin stop rack, pica, 10 pitch	1.88

# Olympia STANDARD PARTS

PART NO.	DESCRIPTION	PRICE
08/2416-035.1	15" margin stop rack, elite, 11 pitch	1.88
08/2416-045.1	15" margin stop rack, diamond, 14 pitch	1.88
08/2416-055.1	15" margin stop rack, elite, 12 pitch	1.88
08/2416-065.1	15" margin stop rack, diamond, 17 pitch	1.88
08/2427-001.1	15" feed roll shaft front, new style, after serial # 332 000	0.36
08/2430-001.2	15" paper release shaft	1.92
08/2432-001.2	15" paper table with guide, complete	3.92
08/2437-001.2	15" paper pan with front & rear feed rolls complete, new style	10.56
08/2438-001.2	15" paper pan, new style	2.52
08/2440-001.2	Feed roll rear, reg. rubber for 15", 2 for 35" carriage, new style	3.50
08/2443-001.1	Feed roll shaft, rear, for 15", 2 for 35" carriage, new style	0.38
08/2448-001.2	Feed roll, rear, oil resistant, for 15", 2 for 35" carriage, new style	3.50
08/2454-001.1	Paper table support bracket, left	0.24
08/2455-001.1	Paper table support bracket, right	0.24
08/2466-001.2	15" platen core without rubber	6.80
08/2501-001.2	18" carriage cradle frame	29.92
08/2501-001.2/03	18" carriage cradle frame, up to serial # 359 000	29.92
08/2501-001.2/04	18" carriage cradle frame, after serial # 359 000	29.92
08/2504-001.1	18" carriage rack, pica, 10 pitch	2.80
08/2504-035.1	18" carriage rack, elite, 11 pitch	2.80
08/2504-045.1	18" carriage rack, diamond, 14 pitch	2.80
08/2504-055.1	18" carriage rack, elite, 12 pitch	2.80
08/2504-065.1	18" carriage rack, diamond, 17 pitch	2.80
08/2506-001.2	18" carriage release rail	2.76
08/2510-001.1	18" margin stop scale, <u>part I</u> , pica 10 pitch	0.88
08/2510-035.1	18" margin stop scale, <u>part I</u> , elite 11 pitch	0.88
08/2510-045.1	18" margin stop scale, <u>part I</u> , diamond, 14 pitch	0.88
08/2510-055.1	18" margin stop scale, <u>part I</u> , elite, 12 pitch	0.88
08/2510-065.1	18" margin stop scale, <u>part I</u> , diamond, 17 pitch	0.88
08/2515-001.2	18" margin rack with stops, complete, pica 10 pitch	9.36
08/2515-035.1	18" margin rack with stops, complete, elite, 11 pitch	9.36
08/2515-045.1	18" margin rack with stops, complete, diamond, 14 pitch	9.36
08/2515-055.1	18" margin rack with stops, complete, elite, 12 pitch	9.36
08/2515-065.1	18" margin rack with stops, complete, diamond, 17 pitch	9.36
08/2516-001.1	18" margin stop rack, pica 10 pitch	2.32
08/2516-035.1	18" margin stop rack, elite, 11 pitch	2.32
08/2516-045.1	18" margin stop rack, diamond, 14 pitch	2.32
08/2516-055.1	18" margin stop rack, elite, 12 pitch	2.32
08/2516-065.1	18" margin stop rack, diamond, 17 pitch	2.32
08/2519-001.1	18" margin stop scale, <u>part II</u> , pica, 10 pitch	0.88
08/2519-035.1	18" margin stop scale, <u>part II</u> , elite, 11 pitch	0.88
08/2519-045.1	18" margin stop scale, <u>part II</u> , diamond, 14 pitch	0.88
08/2519-055.1	18" margin stop scale, <u>part II</u> , elite, 12 pitch	0.88
08/2519-065.1	18" margin stop scale, <u>part II</u> , diamond, 17 pitch	0.88
08/2530-001.2	18" paper release shaft	2.48
08/2532-001.2	18" paper table with guide, complete	4.24
08/2566-001.2	18" platen core without rubber	7.48
08/2601-001.2	24" carriage cradle frame	76.00
08/2601-001.2/02	24" carriage cradle frame, up to serial # 370 000	76.00
08/2601-001.2/03	24" carriage cradle frame, after serial # 370 000	76.00
08/2604-001.1	24" carriage rack, pica 10 pitch	3.60
08/2604-035.1	24" carriage rack, elite, 11 pitch	3.60
08/2604-045.1	24" carriage rack, diamond, 14 pitch	3.60
08/2604-055.1	24" carriage rack, elite, 12 pitch	3.60
08/2604-065.1	24" carriage rack, diamond, 17 pitch	3.60
08/2606-001.2	24" carriage release rail	3.68

# Olympia STANDARD PARTS

PART NO.	DESCRIPTION	PRICE
08/2610-001.1	24" margin stop scale, <u>part I</u> , pica, 10 pitch	1.16
08/2610-035.1	24" margin stop scale, <u>part I</u> , elite, 11 pitch	1.16
08/2610-045.1	24" margin stop scale, <u>part I</u> , diamond, 14 pitch	1.16
08/2610-055.1	24" margin stop scale, <u>part I</u> , elite, 12 pitch	1.16
08/2610-065.1	24" margin stop scale, <u>part I</u> , diamond, 17 pitch	1.16
08/2615-001.2	24" margin rack with stops, complete, pica, 10 pitch	10.16
08/2615-035.2	24" margin rack with stops, complete, elite, 11 pitch	10.16
08/2615-045.2	24" margin rack with stops, complete, diamond, 14 pitch	10.16
08/2615-055.2	24" margin rack with stops, complete, elite, 12 pitch	10.16
08/2615-065.2	24" margin rack with stops, complete, diamond, 17 pitch	10.16
08/2616-001.1	24" margin stop rack, pica, 10 pitch	3.08
08/2616-035.1	24" margin stop rack, elite, 11 pitch	3.08
08/2616-045.1	24" margin stop rack, diamond, 14 pitch	3.08
08/2616-055.1	24" margin stop rack, elite, 12 pitch	3.08
08/2616-065.1	24" margin stop rack, diamond, 17 pitch	3.08
08/2619-001.1	24" margin stop scale, <u>part II</u> , pica, 10 pitch	1.16
08/2619-035.1	24" margin stop scale, <u>part II</u> , elite, 11 pitch	1.16
08/2619-045.1	24" margin stop scale, <u>part II</u> , diamond, 14 pitch	1.16
08/2619-055.1	24" margin stop scale, <u>part II</u> , elite, 12 pitch	1.16
08/2619-065.1	24" margin stop scale, <u>part II</u> , diamond, 17 pitch	1.16
08/2626-001.1	Support for margin rack, 24"	0.12
08/2630-001.2	24" paper release shaft	3.44
08/2632-001.2	24" paper table with guide, complete	5.84
08/2656-001.2	Rest arm for paper pan, left, 24" carriage	0.48
08/2657-001.2	Rest arm for paper pan, right, 24" carriage	0.48
08/2666-001.2	24" platen core, without rubber	10.00
08/2701-001.2	35" carriage cradle frame	108.00
08/2701-001.2/02	35" carriage cradle frame, up to serial # 370 000	108.00
08/2701-001.2/03	35" carriage cradle frame, after serial # 370 000	108.00
08/2704-001.1	35" carriage rack, pica, 10 pitch	5.36
08/2704-035.1	35" carriage rack, elite, 11 pitch	5.36
08/2704-045.1	35" carriage rack, diamond, 14 pitch	5.36
08/2704-055.1	35" carriage rack, elite, 12 pitch	5.36
08/2704-065.1	35" carriage rack, diamond, 17 pitch	5.36
08/2706-001.2	35" carriage release rail	4.40
08/2710-001.1	35" margin stop scale, <u>part I</u> , pica, 10 pitch	1.60
08/2710-035.1	35" margin stop scale, <u>part I</u> , elite, 11 pitch	1.60
08/2710-045.1	35" margin stop scale, <u>part I</u> , diamond, 14 pitch	1.60
08/2710-055.1	35" margin stop scale, <u>part I</u> , elite, 12 pitch	1.60
08/2710-065.1	35" margin stop scale, <u>part I</u> , diamond, 17 pitch	1.60
08/2715-001.2	35" margin rack with stops, complete, pica, 10 pitch	12.48
08/2715-035.2	35" margin rack with stops, complete, elite, 11 pitch	12.48
08/2715-045.2	35" margin rack with stops, complete, diamond, 14 pitch	12.48
08/2715-055.2	35" margin rack with stops, complete, elite, 12 pitch	12.48
08/2715-065.2	35" margin rack with stops, complete, diamond, 17 pitch	12.48
08/2716-001.1	35" margin stop rack, pica, 10 pitch	4.48
08/2716-035.1	35" margin stop rack, elite, 11 pitch	4.48
08/2716-045.1	35" margin stop rack, diamond, 14 pitch	4.48
08/2716-055.1	35" margin stop rack, elite, 12 pitch	4.48
08/2716-065.1	35" margin stop rack, diamond, 17 pitch	4.48
08/2719-001.1	35" margin stop scale, <u>part II</u> , pica, 10 pitch	1.60
08/2719-035.1	35" margin stop scale, <u>part II</u> , elite, 11 pitch	1.60
08/2719-045.1	35" margin stop scale, <u>part II</u> , diamond, 14 pitch	1.60
08/2719-055.1	35" margin stop scale, <u>part II</u> , elite, 12 pitch	1.60
08/2719-065.1	35" margin stop scale, <u>part II</u> , diamond, 17 pitch	1.60
08/2730-001.2	35" paper release shaft	4.40

Prices Subject to Change Without Notice

# Olympia STANDARD PARTS

PART NO.	DESCRIPTION	PRICE
08/2752-001.2	35" paper table with guide, complete	7.20
08/2766-001.2	35" platen core without rubber	14.00
08/3001-001.1/10a	Carriage end, left, for 9 1/2" to 18", up to serial # 45 000	4.00
08/3001-001.1/14	Carriage end, left, for 9 1/2" to 18", after serial # 45 000, up to serial # 228 500	4.00
08/3001-001.1/16	Carriage end, left, for 9 1/2" to 18", after serial # 228 500	4.00
08/3002-001.1/08	Variable clutch pawl (ball bearing) up to serial # 46 000	0.64
08/3002-001.1/11	Variable clutch pawl (step cone) after serial # 46 000	0.64
08/3003-001.1/13	Line space bearing bracket, up to serial # 178 000	1.68
08/3003-001.1/14	Line space bearing bracket, after serial # 178 000, up to serial # 216 000	1.68
08/3003-001.1/16	Line space bearing bracket, after serial # 216 000, up to serial # 415 867, after serial # 415 867 use part # 08/3082-001.2	1.68
08/3004-001.1/03	Platen shaft bearing bushing, up to serial # 45 000	0.53
08/3004-001.1/05	Platen shaft bearing bushing, after serial # 45 000	0.60
08/3005-001.1/01	Ratchet release lever, up to serial # 45 000	1.72
08/3005-001.1/05	Ratchet release lever, after serial # 45 000	1.72
08/3006-001.1/03	Platen shaft bearing nut (1.6 mm) up to serial # 45 000	0.28
08/3006-001.1/04	Platen shaft bearing nut (2.0 mm) after serial # 45 000	0.28
08/3007-001.1/04	Ratchet release shaft screw, up to serial # 45 000	0.28
08/3007-001.1/06	Ratchet release shaft screw, after serial # 45 000, up to serial # 198 000	0.28
08/3007-001.1/07	Ratchet release shaft screw, after serial # 198 000, up to serial # 228 000	0.28
08/3007-001.1/10	Ratchet release shaft screw, after serial # 228 000	0.28
08/3008-001.1/03	Eccentric screw, up to serial # 45 000	0.32
08/3009-001.1	Line space regulator shaft screw	0.24
08/3010-001.1	Line space bell crank	0.28
08/3012-001.1/02	Line space pawl, up to serial # 45 000	0.44
08/3012-001.1/06	Line space pawl, after serial # 45 000, up to serial # 198 000	0.44
08/3012-001.1/07	Line space pawl, after serial # 198 000, up to serial # 424 000	0.44
08/3012-001.1/08	Line space pawl, after serial # 424 000	0.44
08/3013-001.1/05	Line space arm eccentric shaft screw, up to serial # 45 000	0.80
08/3013-001.1/07	Line space arm eccentric shaft screw, bushing, after serial # 45 000	0.20
08/3017-001.1	Platen ratchet, regular, 66 teeth for 10, 11 & 12 pitch	1.60
08/3017-045.1	Platen ratchet, 76 teeth, for 14 & 17 pitch	1.60
08/3017-001.1/special	One line space ratchet with roll (33 teeth)	5.56
08/3020-001.1/03	Line space regulator, up to serial # 45 000	0.40
08/3020-001.1/07	Line space regulator, after serial # 45 000	0.40
08/3021-001.1/03	Line space indicator scale (1....5) up to serial # 45 000	0.52
08/3021-001.1/03a	Line space indicator scale (1....3) up to serial # 45 000	0.52
08/3021-001.1/06	Line space indicator scale (1....3) after serial # 45 000	0.52
08/3022-001.1/05	Line space regulator detent plate, up to serial # 26 000	0.28
08/3022-001.1/05a	Line space regulator detent plate, after serial # 26 000, up to serial # 45 000	0.28
08/3023-001.1/08	Line space lever chrome, old style, up to serial # 45 000	1.68
08/3026-001.2/01	Line space pawl arm, up to serial # 45 000	0.48
08/3026-001.2/05	Line space pawl arm, after serial # 45 000, up to serial # 198 000, after use part # 08/3033-001.2/05	0.72
08/3027-001.2/00a	Ratchet detent arm, up to serial # 45 000	1.04
08/3027-001.2/02	Ratchet detent arm, after serial # 45 000	1.04
08/3028-001.5	Variable clutch drum for ball bearing, up to serial # 46 000	2.60
08/3028-001.2	Variable clutch drum for cone shaft, after serial # 46 000	2.60
08/3029-001.2/04	Variable shaft (short with cone groove for ball bearing M4, up to serial # 46 000)	6.00
08/3029-001.2/06	Variable shaft, long, with cone groove for ball bearing, up to serial # 46 000	6.00
08/3029-001.2/15	Variable shaft for cone, after serial # 46 000	6.00
08/3030-001.2	Line space lever, chrome, after serial # 46 000, up to serial # 178 000, after use part # 08/3075-001.2/02	3.60
08/3032-001.2	Line space bracket, up to serial # 45 000	1.28
08/3033-001.2/02	Line space pawl arm complete, up to serial # 45 000	2.60
08/3033-001.2/03	Line space pawl arm complete, after serial # 45 000, up to serial # 198 000	2.60

# Olympia STANDARD PARTS

PART NO.	DESCRIPTION	PRICE
08/3033-001.2/05	Line space pawl arm complete, after serial # 198 000, up to serial # 424 000	2.60
08/3033-001.2/07	Line space pawl arm complete, after serial # 424 000	2.60
08/3034-001.2/04	Variable clutch assembly for 10, 11 & 12 pitch (short) up to serial # 46 000	15.40
08/3034-001.2/07	Variable clutch assembly for 10, 11 & 12 pitch, after serial # 46 000	15.40
08/3034-045.2	Variable clutch assembly, 14 pitch, after serial # 46 000	15.40
08/3040-001.1	Bearing shaft screw	0.20
08/3043-001.2	Line space pawl arm, after serial # 45 000	0.84
08/3048-001.2/02	Line space regulator detent plate, after serial # 45 000 for 10, 11 & 12 pitch, up to serial # 198 000	0.68
08/3048-001.2/03	Line space regulator detent plate, after serial # 198 000 for 10, 11 & 12 pitch	0.68
08/3048-045.2/00	Line space regulator detent plate, after serial # 45 000, up to serial # 198 000 for 14 pitch	0.68
08/3048-045.2/01	Line space regulator detent plate, after serial # 198 000 for 14 pitch	0.68
08/3051-001.1	Line space connecting arm, lower part, after serial # 45 000 for 10, 11 & 12 pitch	0.20
08/3051-045.1	Line space connecting arm, lower part, after serial # 45 000	0.20
08/3052-001.1	Line space connecting arm, upper part, after serial # 45 000	0.16
08/3056-001.1	Locking plate, from serial # 18 000 to # 45 000	0.20
08/3057-001.2	Angle lever complete, from serial # 18 000 to # 45 000	0.80
08/3059-001.2/00	Line space connecting rod, after serial # 45 000 up to # 198 000, after # 198 000 use part # 08/3070-001.2	1.60
08/3061-001.2/01	Line space arm, up to serial # 45 000	0.48
08/3061-001.2/02	Line space arm, after serial # 45 000 up to # 239 000	0.48
08/3061-001.2/04	Line space arm, after serial # 239 000	0.48
08/3062-001.1/01	Cover for line space bracket, from serial # 45 000 to # 198 000	0.24
08/3062-001.1/02	Cover for line space bracket, after serial # 198 000	0.24
08/3064-001.2	Line space pawl arm, after serial # 45 000	0.24
08/3065-001.1	Eccentric line space adjustment nut, after serial # 45 000	0.20
08/3066-001.1	Ratchet detent roller shaft	0.08
08/3070-001.2	Line space connecting rod, after serial # 198 000	0.64
08/3071-001.1	Flat spring for connecting rod, after serial # 198 000	0.16
08/3075-001.2/02	Line space lever, chrome, 3 style, after serial # 198 000	3.60
08/3080-001.1	Stop bracket, line space, after serial # 198 000	0.80
08/3082-001.2	Line space bearing bracket, after serial # 415 867	1.68
08/3102-099.2	Line space regulator detent plate, for 56 teeth ratchet (Bulletin & Script)	0.68
08/3103-099.1	Line space limit block (for Bulletin & Script)	0.05
08/3104-099.1	Connecting arm, lower part for 56 teeth ratchet, used for Bulletin & Script	0.20
08/3105-099.1	Line space ratchet, 56 teeth, for Bulletin & Script	1.60
08/3106-099.2	Line space bearing bracket with limit block complete, for Bulletin & Script	1.68
08/3115-099.1	Line space indicator scale (1-2) for Bulletin & Script	0.52
08/3601-001.1	Carriage end left side for 24" & 35" carriage, up to serial # 45 000	4.00
08/3601-001.1/02	Carriage end left side for 24" & 35" carriage, after serial # 45 000, up to # 370 000	4.00
08/3601-001.1/03	Carriage end left side for 24" & 35" carriage, after serial # 370 000	4.00
08/4001-001.1	Carriage end right side for paper injector mechanism for 9½", 12", 13", 15" & 18" carriages, up to serial # 45 000	4.00
08/4001-001.1/16	Carriage end right side for paper injector mechanism for 9½", 12", 13", 15" & 18" carriages, after serial # 45 000, up to # 480 000	4.00
08/4001-001.1/17	Carriage end right side for paper injector mechanism for 9½", 12", 13", 15" & 18" carriages, after serial # 480 000	4.00
08/4002-001.1/01	Platen shaft bearing	0.60
08/4005-001.1	Paper injector assembly shaft	0.28
08/4006-001.1	Paper injector adjusting rack	0.36
08/4007-001.1	Platen shaft, right, for injector mechanism, up to serial # 45 000	2.28
08/4007-001.1/16	Platen shaft, right, for injector mechanism, after serial # 45 000, up to serial # 361 740	2.28
08/4007-001.1/17	Platen shaft, right, for injector mechanism, after serial # 361 740	2.28

# Olympia STANDARD PARTS

PART NO.	DESCRIPTION	PRICE
08/4008-001.1	Injector pinion for 10, 11 & 12 pitch	0.60
08/4008-045.1	Injector pinion for 14 pitch	0.60
08/4015-001.1	Thumb segment for injector mechanism	0.32
08/4015-001.1	Indicator scale for injector mechanism	1.04
08/4018-001.1	Brake disk for injector mechanism	0.40
08/4019-001.1	Brake spring for injector mechanism	0.24
08/4023-001.1/05	Injector handle knob, up to serial # 361 740	0.16
08/4023-001.1/06	Injector handle knob, after serial # 361 740	0.16
08/4025-001.1	Handle return spring hanger for injector mechanism	0.36
08/4026-001.1	Return spring drum for injector mechanism, up to serial # 560 000	0.28
08/4026-001.1/02	Return spring drum for injector mechanism, after serial # 560 000	0.28
08/4027-001.1	Return spring for injector mechanism	0.36
08/4028-001.2/01	Paper release lever, cogged, old style, up to serial # 45 000	1.60
08/4028-001.2/03	Paper release lever, cogged, after serial # 45 000, up to serial # 228 000	1.60
08/4028-001.2/04	Paper release lever, after serial # 228 000, up to serial # 374 000, after # 374 000 use part # 08/4048-001.2/01 (new style paper feed)	1.60
08/4029-001.2	Injector spacing arm	0.72
08/4030-001.2	Injector gear for 10, 11 & 12 pitch	0.88
08/4030-045.2	Injector gear for 14 pitch	0.88
08/4031-001.2	Injector adjusting segment	0.56
08/4032-001.2	Injector handle, up to serial # 361 740	2.40
08/4032-001.2/08	Injector handle, after serial # 361 740	2.40
08/4033-001.2	Injector spacing pawl for 10, 11 & 12 pitch	0.36
08/4033-045.2	Injector spacing pawl for 14 pitch	0.36
08/4034-001.2	Injector adjusting pawl	0.36
08/4035-001.2	Injector segment with indicator & pawl	2.88
08/4036-001.2	Injector spacing mechanism with adjusting segment & gear, complete for 10, 11 & 12 pitch	5.00
08/4036-045.2	Injector spacing mechanism with adjusting segment & gear, complete for 14 pitch	5.00
08/4037-001.2	Return spring drum with spring complete for injector, up to serial # 560 000	1.20
08/4037-001.2/02	Return spring drum with spring complete for injector, after serial # 560 000	1.20
08/4041-001.1/07	Carriage end, right, NOT FOR INJECTOR MECHANISM, for 9½", 12", 13", 15" & 18" carriages, up to serial # 361 740	4.00
08/4041-001.1/08	Carriage end, right, NOT FOR INJECTOR MECHANISM, for 9½", 12", 13", 15" & 18" carriages, after serial # 361 740	4.00
08/4042-001.1/07	Platen shaft, right, NOT FOR INJECTOR MECHANISM, up to serial # 361 740	1.68
08/4042-001.1/08	Platen shaft, right, NOT FOR INJECTOR MECHANISM, after serial # 361 740	1.68
08/4048-001.2	Paper release lever, after serial # 374 000 (new style paper feed) (for old style use part # 08/4028-001.2)	1.60
08/4641-001.1/02	Carriage end right, for 24" & 35" carriages, up to serial # 370 000	4.00
08/4641-001.2/03	Carriage end right, for 24" & 35" carriages, after serial # 370 000	4.00
08/5016-001.1	9½" tabulator rail, steel, (0.8 mm stop slots, use with tabulator stop # 08/9020-001.1/10) pica, 10 pitch	5.04
08/5016-035.1	9½" same as above for elite, 11 pitch	5.04
08/5016-045.1	9½" same as above for diamond, 14 pitch	5.04
08/5016-055.1	9½" same as above for elite, 12 pitch	5.04
08/5026-001.2	9½" noiseless platen (soft)	13.36
08/5027-001.2	9½" noiseless platen (hard)	13.36
08/5207-001.1	12" tabulator rail, steel, pica 10 pitch. 2.6 mm spacing (0.8 mm stop slots, use tabulator stop # 08/9020-001.1/10)	5.92
08/5207-035.1	12" same as above, for elite 11 pitch	5.92
08/5207-045.1	12" same as above, for diamond, 14 pitch	5.92
08/5207-055.1	12" same as above, for elite, 12 pitch	5.92
08/5226-001.2	12" noiseless platen (soft)	14.68
08/5227-001.2	12" noiseless platen (hard)	14.68

# Olympia STANDARD PARTS

PART NO.	DESCRIPTION	PRICE
08/5307-001.1	13" tabulator rail, steel, pica 10 pitch (0.8 mm stop slots, use tabulator stop # 08/9020-001.1/10)	6.60
08/5307-035.1	13" same as above, for elite 11 pitch	6.60
08/5307-055.1	13" same as above, for elite 12 pitch	6.60
08/5326-001.2	13" noiseless platen, soft	16.48
08/5327-001.2	13" noiseless platen, hard	16.48
08/5407-001.1	15" tabulator rail, steel, pica 10 pitch, (0.8 mm stop slots, use tabulator stop # 08/9020-001.1/10)	7.60
08/5407-035.1	15" same as above for elite 11 pitch	7.60
08/5407-055.1	15" same as above for elite 12 pitch	7.60
08/5426-001.2	15" noiseless platen, soft	17.92
08/5427-001.2	15" noiseless platen, hard	17.92
08/5507-001.1	18" tabulator rail, steel, pica 10 pitch (0.8 mm stop slots, use stop # 08/9020-001.1/10)	8.64
08/5507-035.1	18" same as above for elite 11 pitch	8.64
08/5507-055.1	18" same as above for elite 12 pitch	8.64
08/5607-001.1	24" tabulator rail, steel, pica 10 pitch, (0.8 mm stop slots, use stop # 08/9020-001.1/10)	11.40
08/5607-035.1	24" same as above, for elite 11 pitch	11.40
08/5607-055.1	24" same as above, for elite 12 pitch	11.40
08/9001-001.1/01	9½" tabulator clear shaft, for 1 lever only, 325 mm long, up to serial # 45 000	1.16
08/9001-001.1/02	9½" same as above, for 2 levers, 350 mm long, after serial # 285 000	1.16
08/9001-001.1/06	9½" same as above, for 2 levers, 357 mm long	1.16
08/9001-001.1/09	9½" same as above, with two holes, after serial # 120 000	1.16
08/9001-001.1/11	9½" same as above, after serial # 342 000, two holes with thread	1.16
08/9002-001.1	9½" tabulator rail, aluminum, pica 10 pitch	3.36
08/9002-035.1	9½" tabulator rail, aluminum, elite 11 pitch	3.36
08/9002-045.1	9½" tabulator rail, aluminum, diamond, 14 pitch	3.36
08/9002-055.1	9½" tabulator rail, aluminum, elite 12 pitch	3.36
08/9002-065.1	9½" tabulator rail, aluminum, diamond, 17 pitch	3.36
08/9003-001.1/07	9½" paper bail rod, pica 10 pitch, with inside thread, after serial # 24 500, up to serial # 58 000	1.68
08/9003-001.1/09	9½" same as above, for clip, after serial # 58 000	1.68
08/9003-035.1/04	9½" same as above, with inside thread, for elite 11 pitch, after serial # 24 500, up to serial # 58 000	1.68
08/9003-035.1/05	9½" same as above, for clip, elite 11 pitch, after serial # 58 000	1.68
08/9003-045.1	9½" same as above, for clip, diamond 14 pitch, after serial # 58 000	1.68
08/9003-055.1	9½" same as above, for clip, elite 12 pitch, after serial # 58 000	1.68
08/9003-065.1	9½" same as above, for clip, diamond 17 pitch, after serial # 58 000	1.68
08/9005-001.1/05	9½" paper feed assembly shaft, up to serial # 323 000	0.56
08/9006-001.1	Spring tension clutch, left, part II, up to serial # 323 000	0.20
08/9007-001.1	Spring tension clutch, right, part II, up to serial # 323 000	0.20
08/9008-001.1	Spring tension clutch, left, part I, up to serial # 323 000	0.32
08/9009-001.1	Spring tension clutch, right, part I, up to serial # 323 000	0.32
08/9014-001.1	9½" paper release shaft, up to serial # 323 000	0.96
08/9015-001.1	Paper release pinion, up to serial # 323 000	0.28
08/9019-001.1	Tabulator stop spring plate, pica 10 pitch	0.28
08/9019-035.1	Tabulator stop spring plate, elite 11 pitch	0.28
08/9019-045.1	Tabulator stop spring plate, diamond 14 pitch	0.28
08/9019-055.1	Tabulator stop spring plate, elite 12 pitch	0.28
08/9019-065.1	Tabulator stop spring plate, diamond 17 pitch	0.28
08/9020-001.1/08	Tabulator stops (Ø 1 mm) for pica 10 pitch, up to serial # 313 400, after use part # 08/9020-001.1/10 with Ø 0.8 mm, for pica, elite 11 & 12 pitch	0.04
08/9020-001.1/10	Tabulator stops for elite 11 & 12 pitch & (pica 10 pitch after serial # 313 400) 0.8 mm	0.04
08/9020-045.1	Tabulator stops for diamond, 14 pitch, 1.8 mm spacing	0.04

Prices Subject to Change Without Notice

# Olympia STANDARD PARTS

PART NO.	DESCRIPTION	PRICE
08/9021-001.1	Tabulator clear shaft bracket	0.04
08/9025-001.1	9½" feed roll shaft, front, old style (use 2 for 18" carriage) up to serial # 323 00, after use part # 08/2120-001.1	0.32
08/9026-001.1	9½" feed roll spacing bushing, front (3 for 1 assembly, double for 18" carriage) up to serial # 323 000, not used after serial # 323 000	0.12
08/9029-001.1	9½" feed roll shaft, rear (use 2 for 18" carriage) up to serial # 323 000, after use part # 08/2129-001.1	0.32
08/9030-001.1	9½" feed roll spacing bushing, rear, up to serial # 323 000, after that not used.	0.08
08/9045-001.1	9½" paper table felt lining upper part	0.04
08/9046-001.1	9½" paper table felt lining lower part	0.04
08/9057-001.1/08	Carriage end cover plate, left side, up to serial # 45 000 *	1.28
08/9057-001.1/11	Carriage end cover plate, left side, after serial # 45 000 *	1.28
	* With paper injector	
08/9064-001.1/06	Carriage end cover plate, right side, up to serial # 285 000, for machines without tabulator clear lever but with paper injector	1.28
08/9072-001.1	9½" felt lining for paper guide plate	0.06
08/9073-001.1	9½" felt lining for carriage back plate	0.24
08/9076-001.1	Dust pan spring hanger, not used after serial # 225 000	0.04
08/9080-001.2/01	Pressure lever left, up to serial # 45 000	0.56
08/9080-001.2/02	Pressure lever left, after serial # 45 000, up to serial # 121 000	0.56
08/9080-001.2/03	Pressure lever left, after serial # 121 000	0.56
08/9081-001.2/02	Pressure lever right, up to serial # 45 000	0.56
08/9081-001.2/03	Pressure lever right, after serial # 45 000, up to serial # 121 000	0.56
08/9081-001.1/04	Pressure lever right, after serial # 121 000	0.56
08/9082-001.2	9½" tabulator rack, complete, pica 10 pitch, up to serial # 313 400, with 1 mm tabulator stop slots, after serial # 313 400 used with 0.8 mm stop slots	9.76
08/9082-035.2	9½" same as above for elite, 11 pitch	9.76
08/9082-045.2	9½" same as above for diamond, 14 pitch	9.76
08/9082-055.2	9½" same as above for elite, 12 pitch	9.76
08/9082-065.2	9½" same as above for diamond, 17 pitch	9.76
08/9083-001.2/03	Tabulator clear lever connecting arm, left side	0.56
08/9083-001.2/07	Tabulator clear lever connecting arm, right side	0.56
08/9084-001.2	Paper feed roll, front, rubber, up to serial # 323 000, after use part # 08/2116-001.2	0.64
08/9085-001.2	Paper feed roll, rear, rubber, up to serial # 323 000 for 15" & 35" carriages only, after use part # 08/2440-001.2	0.64
08/9086-001.2/05	9½" paper pan, up to serial # 323 000, after use part # 08/2193-001.2, use 2 for 18" carriage	1.60
08/9089-001.2/03	Paper bail bracket, left, for inside thread	2.00
08/9089-001.2/04	Paper bail bracket, left, for clips, new style, chrome plated	2.00
08/9089-001.2/05	Paper bail bracket, left, for clips, new style, green finish	2.00
08/9090-001.2/05	Paper bail lift handle, after serial # 58 000	0.20
08/9090-001.2/04	Paper bail lift handle, up to serial # 58 000 (old style)	0.20
08/9091-001.2/04	9½" paper bail swing shaft	1.56
08/9092-001.5/02	Paper bail bearing bracket, left side, up to serial # 45 000	0.60
08/9092-001.2/03	Paper bail bearing bracket, left, up to serial # 45 000	0.60
08/9092-001.2/06	Paper bail bearing bracket, left, after serial # 45 000	0.60
08/9093-001.2/02	Paper bail bearing bracket, right, with tension spring	0.60
08/9093-001.2/05	Paper bail bearing bracket, right, for spring	0.60
08/9094-001.2	9½" paper table	1.24
08/9095-001.2/03	Paper guide (5.5 mm distance)	1.60
08/9095-001.2/06	Paper guide (8.5 mm distance)	1.60
08/9096-001.2	9½" paper guide plate	1.80
08/9098-001.2/03	Paper release lever, left, up to serial # 121 000	1.52
08/9098-001.2/04	Paper release lever, left, after serial # 121 000	1.52
08/9100-001.2/05	Platen knob, left side, with ball bearings, Ø 3 mm	2.16

# Olympia STANDARD PARTS

PART NO.	DESCRIPTION	PRICE
08/9100-001.2/06	Platen knob, left side, with ball bearings, $\emptyset$ 4 mm, up to serial # 46 000, after use part # 08/9174-001.2	2.16
08/9101-001.2/03	Variable release knob, $\emptyset$ 3 mm, up to serial # 46 000	0.24
08/9101-001.2/05	Variable release knob, $\emptyset$ 4 mm, after serial # 46 000	0.24
08/9102-001.2/01	Carriage release lever, right, up to serial # 46 000	1.52
08/9102-001.2/03	Carriage release lever, right, after serial # 46 000, up to serial # 121 000	1.52
08/9102-001.2/04	Carriage release lever, right, after serial # 121 000	1.52
08/9103-001.2	Platen knob, right side, up to serial # 45 000	1.44
08/9103-001.2/06	Platen knob, right side, after serial # 45 000, up to serial # 361 740, with 2 screw holes	1.44
08/9103-001.2/07	Platen knob, right side, with one hole through the diameter of the shaft, after serial # 361 740	1.44
08/9104-001.2	$9\frac{1}{2}$ " carriage back plate	3.32
08/9108-001.2/01	$9\frac{1}{2}$ " paper release shaft with pinion & 2 grooves, old style	1.52
08/9108-001.2/06	$9\frac{1}{2}$ " paper release shaft with pinion, without grooves, up to serial # 323 000	1.52
08/9108-001.2/07	$9\frac{1}{2}$ " paper release shaft with lever, after serial # 323 000	1.52
08/9109-001.2	$9\frac{1}{2}$ " front feed rolls, (2 for 18" carriage) rubber, up to serial # 323 000, after use 08/2116-001.2	2.40
08/9110-001.2	$9\frac{1}{2}$ " rear feed rolls (2 for 18" carriage) rubber, up to serial # 323 000, after use part # 08/2186-001.2	2.56
08/9112-001.2	$9\frac{1}{2}$ " paper table with guide	3.28
08/9113-001.2	$9\frac{1}{2}$ " platen, rubber, soft (1-3 copies)	9.36
08/9114-001.2/04	Tabulator stop release lever, left, with two thread holes, up to serial # 120 000	1.72
08/9114-001.2/05	Tabulator stop release lever, left, for 1 cone screw, after serial # 120 000, up to serial # 342 000	1.72
08/9114-001.2/09	Tabulator stop release lever, left, no thread, after serial # 342 000	1.72
08/9115-001.2	$9\frac{1}{2}$ " ball bearing separator (use 2 for 35" rail)	1.08
08/9116-001.2	$9\frac{1}{2}$ " platen, rubber, specify code	9.30
08/9117-001.2/08	$9\frac{1}{2}$ " paper bail assembly, pica 10 pitch, up to serial # 45 000	11.68
08/9117-001.2/09	$9\frac{1}{2}$ " paper bail assembly, pica 10 pitch, after serial # 45 000	11.68
08/9117-035.2/04	$9\frac{1}{2}$ " paper bail assembly, elite 11 pitch, up to serial # 45 000	11.68
08/9117-035.2/05	$9\frac{1}{2}$ " paper bail assembly, elite 11 pitch, after serial # 45 000	11.68
08/9117-045.2/08	$9\frac{1}{2}$ " paper bail assembly, diamond, 14 pitch	11.68
08/9117-055.2	$9\frac{1}{2}$ " paper bail assembly, elite, 12 pitch	11.68
08/9119-001.1	Bracket for dust pan, not used after serial # 186 000	0.05
08/9120-001.2/02	$9\frac{1}{2}$ " dust pan with spring clips, not used after serial # 186 000	0.84
08/9120-001.2/03	$9\frac{1}{2}$ " dust pan with U brackets, not used after serial # 186 000	0.84
08/9120-001.2/07	$9\frac{1}{2}$ " dust pan, not used after serial # 186 000	0.84
08/9128-001.1	Paper guide spring	0.04
08/9130-001.1	Paper release shaft, center bracket, up to serial # 228 500 (old style paper feed)	0.24
08/9131-001.1	Spacing washer for paper release bracket, up to serial # 228 500, 0.2 mm	0.02
08/9132-001.1	Same as above, 0.3 mm	0.02
08/9134-001.2/01	Paper bail arm right, for inside thread	2.16
08/9134-001.2/02	Paper bail arm right, for clips, chrome finish	2.80
08/9134-001.2/03	Paper bail arm right, for clips, green finish	1.68
08/9135-001.1	Paper bail flat spring	0.08
08/9136-001.1	Paper bail adjusting bolt	0.28
08/9139-001.1	Paper support flat spring	0.04
08/9139-001.1/01	Paper support flat spring	0.04
08/9139-001.1/02	Paper support flat spring, up to serial # 382 000	0.04
08/9139-001.1/03	Paper support flat spring, after serial # 382 000	0.04
08/9141-001.2	Paper support, plastic, with short ruler, up to serial # 178 000 for 10, 11 & 12 pitch, up to 15" carriages, after serial # 178 000 use part # 08/2135-001.2/00	1.92
08/9141-045.2	Same as above for 14 pitch	1.92
08/9141-003.2	Same as above for BRAILLE machine, 10 & 11 pitch	1.92
08/9146-001.1	$9\frac{1}{2}$ " carriage rail dust strip	0.24
08/9149-001.2	$9\frac{1}{2}$ " front feed roll assembly, oil resistant, up to serial # 323 000, after use part # 08/2196-001.2	2.40

# Olympia STANDARD PARTS

PART NO.	DESCRIPTION	PRICE
08/9150-001.2	Feed roll, front, oil resistant, for 15" & 35" only, up to serial # 332 000	0.64
08/9151-001.2	9 1/2" rear feed roll assembly (2 for 18" carriage) oil resistant, up to serial # 323 000, after use part # 08/2198-001.2	2.56
08/9152-001.2	Rear feed roll, oil resistant, for 15" & 35" only, up to serial # 332 000	0.64
08/9158-001.2/00	9 1/2" carrier with margin scale, pica, 10 pitch, after serial # 178 000	2.80
08/9158-001.2/02	9 1/2" same as above, after serial # 323 000	2.80
08/9158-035.2/01	9 1/2" same as above, after serial # 178 000, for elite 11 pitch	2.80
08/9158-035.2/02	9 1/2" same as above, after serial # 323 000, for elite 11 pitch	2.80
08/9158-045.2/00	9 1/2" carrier with margin scale, for 14 pitch, after serial # 178 000	2.80
08/9158-045.2/01	9 1/2" same as above, after serial # 323 000	2.80
08/9158-055.2/01	9 1/2" same as above, after serial # 323 000, elite 12 pitch	2.80
08/9159-001.1	Carriage end, cover plate, right side, for machines with 2 tabulator clear levers, but without paper injector, after serial # 285 000	1.28
08/9160-001.2/02	Tabulator clear lever, right, with two thread holes, up to serial # 120 000	1.72
08/9160-001.2/03	Tabulator clear lever, right, for 1 cone screw, after serial # 120 000, up to serial # 342 000	1.72
08/9160-001.2/08	Tabulator clear lever, right, without thread, after serial # 342 000	1.72
08/9167-001.1	Paper bail roll, aluminum, rubber rolls part # 08/2112-001.2	0.28
08/9172-001.1	Variable release plunger	0.48
08/9174-001.2	Platen knob, left side, after serial # 46 000	2.72
08/9178-001.2	Bell trip pawl bracket, after serial # 83 000	0.28
08/9180-001.1	Bell pawl, after serial # 83 000	0.16
08/9181-001.1	Bell pawl connecting link, after serial # 83 000	0.16
08/9182-001.1	Paper bail roll, chrome cover, not used after serial # 210 000	1.12
08/9183-001.1	Paper bail roll, cover bushing, not used after serial # 210 000	0.02
08/9187-003.2	9 1/2" paper bail rod, pica 10 pitch, for BRAILLE machine	1.50
08/9187-038.2	9 1/2" paper bail rod, elite, 11 pitch, for BRAILLE machine	1.50
08/9192-001.2	Feed roll arm, front, left, up to serial # 323 000	0.40
08/9193-001.2	Feed roll arm, front, right, up to serial # 323 000	0.40
08/9194-001.2	Feed roll arm, rear, left, up to serial # 323 000	0.48
08/9195-001.2	Feed roll arm, rear, right, up to serial # 323 000	0.48
08/9202-001.1	12" paper feed assembly shaft, up to serial # 228 500	0.60
08/9203-001.2/06	12" paper release shaft with pinion, old style	1.60
08/9203-001.2/07	12" paper release shaft with lever, up to serial # 228 500, after serial # 228 500 use part # 08/2230-001.2	1.60
08/9205-001.2	12" tabulator rack complete, for pica 10 pitch	11.44
08/9205-035.2	12" tabulator rack complete, for elite 11 pitch	11.44
08/9205-045.2	12" tabulator rack complete, for diamond 14 pitch	11.44
08/9205-055.2	12" tabulator rack complete, for elite 12 pitch	11.44
08/9205-065.2	12" tabulator rack complete, for diamond 17 pitch	11.44
08/9206-001.1	12" tabulator rail, aluminum, pica 10 pitch	3.96
08/9206-035.2	12" tabulator rail, aluminum, elite 11 pitch	3.96
08/9206-045.1	12" tabulator rail, aluminum, diamond 14 pitch	3.96
08/9206-055.1	12" tabulator rail, aluminum, elite 12 pitch	3.96
08/9206-065.1	12" tabulator rail, aluminum, diamond 17 pitch	3.96
08/9207-001.2	12" (2 for 24") feed roll assembly, front, oil resistant, up to serial # 228 500	2.80
08/9209-001.1/07	12" tabulator clear shaft, after serial # 28 500, up to serial # 120 000	1.24
08/9209-001.1/10	12" same as above, with two holes, no thread, after serial # 120 000, up to serial # 342 000	1.24
08/9209-001.1/12	12" same as above, with two holes with thread, after serial # 342 000	1.24
08/9210-001.2	12" (2 for 24" carriage) feed roll assembly, front, rubber, up to serial # 228 500	2.80
08/9212-001.1	Main spring for all carriage sizes	1.28
08/9213-001.2	12" (2 for 24" carriage) feed roll assembly, rear, oil resistant, up to serial # 228 500	2.96
08/9214-001.1	12" & 13" (2 for 24" carriage) feed roll shaft, front, up to serial # 228 500	0.32
08/9215-001.1	Feed roll spacing bushing, front, up to serial # 228 500	0.02
08/9216-001.2	12" feed roll assembly, rear, rubber, up to serial # 228 500	2.96

# Olympia STANDARD PARTS

PART NO.	DESCRIPTION	PRICE
08/9217-001.1	12" & 13" rear feed roll shaft, up to serial # 228 500	0.32
08/9218-001.1	12" & 13" rear feed roll spacing bushing, up to serial # 228 500	0.12
08/9219-001.2/05	12" & 13" (2 for 24" carriage) paper pan, up to serial # 228 500	1.68
08/9221-001.2	12" paper bail assembly, pica 10 pitch	11.80
08/9221-035.2	12" paper bail assembly, elite 11 pitch	11.80
08/9221-045.2	12" paper bail assembly, diamond 14 pitch	11.80
08/9221-055.2	12" paper bail assembly, elite 12 pitch	11.80
08/9221-065.2	12" paper bail assembly, diamond 17 pitch	11.80
08/9222-001.1/07	12" paper bail rod, pica 10 pitch, with inside thread, after serial # 24 500, up to serial # 58 000	1.84
08/9222-001.1/08	12" same as above, without thread, after serial # 58 000	1.84
08/9222-035.1/03	12" paper bail rod, elite 11 pitch, with inside thread, after serial # 24 500, up to serial # 58 000	1.84
08/9222-035.1/04	12" same as above, without thread, after serial # 58 000	1.84
08/9222-045.1	12" paper bail rod, diamond 14 pitch, after serial # 58 000	1.84
08/9222-055.1	12" paper bail rod, elite, 12 pitch, after serial # 58 000	1.84
08/9222-065.1	12" paper bail rod, diamond 17 pitch, after serial # 58 000	1.84
08/9223-001.2	12" eraser table	2.00
08/9225-001.1	12" felt lining for eraser table	0.08
08/9227-001.2/04	12" paper bail swing shaft	1.60
08/9229-001.2/02	12" paper table with guide	3.54
08/9230-001.2	12" paper table without guide	1.40
08/9232-001.1	12" felt lining for paper table, upper part	0.08
08/9233-001.1	12" felt lining for paper table, lower part	0.08
08/9234-001.2	12" platen, rubber, soft 1-3 copies, Recover charge for used platen \$1.54 net, rubber, \$2.26 net stencil	10.68
08/9238-001.2	12" ball bearing separator for upper & lower rail	1.12
08/9241-001.2	12" platen, specify code	10.68
08/9243-001.2	12" & 13" carriage back plate	3.60
08/9245-001.1	Felt lining for 12" & 13" carriage	0.28
08/9246-001.2/03	12" dust pan with U bracket, not used after serial # 186 000	0.92
08/9246-001.2/07	12" dust pan not used after serial # 186 000	0.92
08/9251-001.1	12" carriage rail dust strip	0.28
08/9258-001.2/00	12" carrier with margin scale, pica 10 pitch, up to serial # 172 000	2.88
08/9258-001.2/01	12" same as above, after serial # 172 000	2.88
08/9258-035.2/01	12" carrier with margin scale, elite 11 pitch, up to serial # 172 000	2.88
08/9258-035.2/02	12" same as above, after serial # 172 000	2.88
08/9258-045.2/01	12" carrier with margin scale, diamond 14 pitch, up to serial # 172 000	2.88
08/9258-045.2/01	12" same as above, after serial # 172 000	2.88
08/9258-055.2	12" carrier with margin scale, elite, 12 pitch, after serial # 172 000	2.88
08/9258-065.2	12" carrier with margin scale, diamond 17 pitch	2.88
08/9270-003.2	12" paper bail rod for BRAILLE machine, pica 10 pitch	1.70
08/9270-038.2	12" paper bail rod for BRAILLE machine, elite 11 pitch	1.70
08/9271-001.1	Carriage dust cover for 12" & 13" carriage	1.40
08/9279-001.1/03	Clip for paper bail attachment, use with parts # 08/2143-001.1; 12526-0x6; and 14174-0x6	0.06
08/9302-001.1	13" paper feed assembly shaft, up to serial # 323 000	0.60
08/9303-001.2/04	13" paper release shaft with pinion, old style	1.68
08/9303-001.2/05	13" paper release shaft with lever, up to serial # 323 000, after use part # 08/2330-001.2	1.68
08/9305-001.2	13" tabulator rack, complete, pica 10 pitch	13.44
08/9305-035.2	13" tabulator rack, complete, elite 11 pitch	13.44
08/9305-045.2	13" tabulator rack, complete, diamond 14 pitch	13.44
08/9305-055.2	13" tabulator rack, complete, elite 12 pitch	13.44
08/9305-065.2	13" tabulator rack, complete, diamond, 17 pitch	13.44
08/9306-001.1	13" tabulator rail, aluminum, pica 10 pitch	4.40
08/9306-035.1	13" tabulator rail, aluminum, elite 11 pitch	4.40

# Olympia STANDARD PARTS

PART NO.	DESCRIPTION	PRICE
08/9306-045.1	13" tabulator rail, aluminum, diamond 14 pitch	4.40
08/9306-055.1	13" tabulator rail, aluminum, elite 12 pitch	4.40
08/9306-065.1	13" tabulator rail, aluminum, diamond 17 pitch	4.40
08/9309-001.1/05	13" tabulator clear shaft, after serial # 28 500, up to serial # 120 000	1.36
08/9309-001.1/08	13" tabulator clear shaft with two holes, but without thread, after serial # 120 000, up to serial # 342 000, after use part # 08/9309-001.1/10	1.36
08/9309-001.1/10	13" tabulator clear shaft with thread, after serial # 342 000	1.36
08/9321-001.2	13" paper bail assembly, pica 10 pitch	11.92
08/9321-035.2	13" paper bail assembly, elite 11 pitch	11.92
08/9321-045.2	13" paper bail assembly, diamond 14 pitch	11.92
08/9321-055.2	13" paper bail assembly, elite 12 pitch	11.92
08/9321-065.2	13" paper bail assembly, diamond 17 pitch	11.92
08/9322-001.1/02	13" paper bail rod, with inside thread, up to serial # 58 000, pica 10 pitch	2.08
08/9322-001.1/03	13" paper bail rod, for clips, after serial # 58 000, pica 10 pitch	2.08
08/9322-035.1/01	13" paper bail rod, with inside thread, up to serial # 58 000, elite 11 pitch	2.08
08/9322-035.1/02	13" paper bail rod, for clips, after serial # 58 000, elite 11 pitch	2.08
08/9322-045.1	13" paper bail rod, for clips, after serial # 58 000, diamond 14 pitch	2.08
08/9322-055.1	13" paper bail rod, for clips, after serial # 58 000, elite 12 pitch	2.08
08/9322-065.1	13" paper bail rod, for clips, after serial # 58 000, diamond 17 pitch	2.08
08/9323-001.2	13" paper guiding plate	2.08
08/9325-001.1	13" felt lining for paper guiding plate	0.08
08/9327-001.2/03	13" paper bail swing shaft	1.64
08/9329-001.2	13" paper table with guide	3.60
08/9330-001.2	13" paper table without guide	1.44
08/9332-001.1	13" felt lining for paper table, upper part	0.08
08/9333-001.1	13" felt lining for paper table, lower part	0.08
08/9334-001.2	13" platen, soft, 1-3 copies rubber	11.68
08/9338-001.2	13" ball bearing separator for upper & lower rail	1.12
08/9341-001.2	13" platen, specify code	11.68
08/9346-001.2	13" dust pan, not used after serial # 186 000	0.96
08/9351-001.1	13" carriage rail dust strip	0.28
08/9358-001.2/00	13" carrier with margin scale, pica 10 pitch, up to serial # 219 000	3.08
08/9358-001.2/01	13" same as above, after serial # 219 000	3.08
08/9358-035.2/00	13" carrier with margin scale, elite 11 pitch, up to serial # 219 000	3.08
08/9358-035.2/01	13" same as above, after serial # 219 000	3.08
08/9358-045.2/00	13" carrier with margin scale, diamond 14 pitch, up to serial # 219 000	3.08
08/9358-045.2/01	13" same as above, after serial # 219 000	3.08
08/9358-055.2/01	13" carrier with margin scale, elite 12 pitch, after serial # 219 000	3.08
08/9358-065.2	13" carrier with margin scale, diamond 17 pitch, after serial # 219 000	3.08
08/9370-003.2	13" paper bail rod for BRAILLE machines, pica 10 pitch	1.90
08/9370-038.2	13" paper bail rod for BRAILLE machines, elite 11 pitch	1.90
08/9371-001.1	13" carriage dust cover & for 15" carriage	1.50
08/9402-001.1	15" paper feed assembly shaft, up to serial # 332 000	0.64
08/9403-001.2/05	15" paper release shaft with lever, up to serial # 332 000, after use part # 08/2430-001.2	1.92
08/9405-001.2	15" tabulator rack, complete, pica 10 pitch	15.04
08/9405-035.2	15" tabulator rack, complete, elite 11 pitch	15.04
08/9405-045.2	15" tabulator rack, complete, diamond 14 pitch	15.04
08/9405-055.2	15" tabulator rack, complete, elite 12 pitch	15.04
08/9405-065.2	15" tabulator rack, complete, diamond 17 pitch	15.04
08/9406-001.1	15" tabulator rail, aluminum, pica 10 pitch	5.08
08/9406-035.1	15" tabulator rail, aluminum, elite 11 pitch	5.08
08/9406-045.1	15" tabulator rail, aluminum, diamond 14 pitch	5.08
08/9406-055.1	15" tabulator rail, aluminum, elite 12 pitch	5.08
08/9406-065.1	15" tabulator rail, aluminum, diamond 17 pitch	5.08
08/9407-001.2	15" feed roll assembly, front (use 2 for 35" carriage) oil resistant, up to serial # 332 000	4.00

# Olympia STANDARD PARTS

PART NO.	DESCRIPTION	PRICE
08/9409-001.1/06	15" tabulator clear shaft, after serial # 28 500, up to serial # 120 000	1.40
08/9409-001.1/09	15" tabulator clear shaft, after serial # 120 000, with 2 holes but without thread, up to serial # 342 000	1.40
08/9409-001.1/12	15" tabulator clear shaft, with 2 holes with thread, after serial # 342 000	1.40
08/9410-001.2	15" feed roll assembly, complete, front, rubber, up to serial # 332 000	4.00
08/9413-001.2	15" feed roll assembly, rear, complete, oil resistant, up to serial # 332 000	4.16
08/9414-001.1	15" front feed roll shaft (use 2 for 35" carriage) up to serial # 332 000	0.40
08/9415-001.1	15" & 35" front feed roll spacing bushing, up to serial # 332 000	0.08
08/9416-001.2	15" rear feed roll assembly (use 2 for 35" carriage) up to serial # 332 000	4.16
08/9417-001.1	15" rear feed roll shaft (use 2 for 35" carriage) up to serial # 332 000	0.40
08/9418-001.1	15" rear feed roll spacing bushing, up to serial # 332 000	0.10
08/9419-001.2	15" paper pan (use 2 for 35" carriage) up to serial # 332 000	1.92
08/9421-001.2	15" paper bail assembly, pica 10 pitch	12.40
08/9421-035.2	15" paper bail assembly, elite 11 pitch	12.40
08/9421-045.2	15" paper bail assembly, diamond 14 pitch	12.40
08/9421-055.2	15" paper bail assembly, elite 12 pitch	12.40
08/9421-065.2	15" paper bail assembly, diamond 17 pitch	12.40
08/9422-001.1/02	15" paper bail rod with inside thread, pica 10 pitch, up to serial # 58 000	2.48
08/9422-001.1/03	15" same as above, after serial # 58 000	2.48
08/9422-035.1/01	15" paper bail rod, elite 11 pitch, with inside thread, up to serial # 58 000	2.48
08/9422-035.1/02	15" same as above, after serial # 58 000	2.48
08/9422-045.1	15" paper bail rod, diamond 14 pitch, after serial # 58 000	2.48
08/9422-055.1	15" paper bail rod, elite 12 pitch, after serial # 58 000	2.48
08/9422-065.1	15" paper bail rod, diamond 17 pitch, after serial # 58 000	2.48
08/9423-001.2	15" eraser table	2.32
08/9425-001.1	15" felt lining for eraser table	0.08
08/9427-001.2/03	15" paper bail swing shaft	1.68
08/9429-001.2	15" paper table with guiding plate	3.92
08/9430-001.2	15" paper table without guiding plate	1.50
08/9432-001.1	15" felt lining for paper table, upper part	0.08
08/9433-001.1	15" felt lining for paper table, lower part	0.08
08/9434-001.2	15" platen, soft, 1-3 copies	12.32
08/9438-001.2	15" ball bearing separator for rails, upper & lower	1.12
08/9441-001.2	15" platen, specify code	12.32
08/9443-001.2	15" carriage back plate	3.96
08/9446-001.2	15" dust pan, not used after serial # 186 000	1.00
08/9451-001.1	15" carriage rail dust strip	0.32
08/9458-001.2/00	15" carrier with margin scale, pica 10 pitch, up to serial # 223 000	3.28
08/9458-001.2/02	15" same as above, after serial # 223 000	3.28
08/9458-035.2/00	15" carrier with margin scale, elite 11 pitch, up to serial # 223 000	3.28
08/9458-035.2/02	15" same as above, after serial # 223 000	3.28
08/9458-045.2/00	15" carrier with margin scale, diamond 14 pitch, up to serial # 223 000	3.28
08/9458-045.2/02	15" carrier with margin scale, diamond 14 pitch, after serial # 223 000	3.28
08/9458-055.2/02	15" carrier with margin scale, elite 12 pitch, after serial # 223 000	3.28
08/9458-065.2	15" carrier with margin scale, diamond 17 pitch, after serial # 223 000	3.28
08/9467-001.1	Brace bracket for carriage release shaft (for 24" carriage)	0.08
08/9470-003.2	15" paper bail rod, pica 10 pitch, for BRAILLE machines	2.20
08/9470-038.2	15" paper bail rod, elite 11 pitch, for BRAILLE machines	2.20
08/9502-001.1	18" paper feed assembly shaft, up to serial # 359 000	0.80
08/9503-001.2/04	18" paper release shaft with lever, up to serial # 359 000, after use part # 08/2530-001.2	2.36
08/9505-001.2	18" tabulator rack complete, pica 10 pitch	17.76
08/9505-035.2	18" tabulator rack complete, elite 11 pitch	17.76
08/9505-045.2	18" tabulator rack complete, diamond 14 pitch	17.76
08/9505-055.2	18" tabulator rack complete, elite 12 pitch	17.76
08/9505-065.2	18" tabulator rack complete, diamond 17 pitch	17.76
08/9506-001.1	18" tabulator rail, pica 10 pitch (Aluminum)	5.76

Prices Subject to Change Without Notice

# Olympia STANDARD PARTS

PART NO.

DESCRIPTION

PRICE

PART NO.	DESCRIPTION	PRICE
08/9506-035.1	18" tabulator rail, elite 11 pitch (Aluminum)	5.76
08/9506-045.1	18" tabulator rail, diamond 14 pitch	5.76
08/9506-055.1	18" tabulator rail, elite 12 pitch (Aluminum)	5.76
08/9506-065.1	18" tabulator rail, diamond 17 pitch	1.48
08/9509-001.1/06	18" tabulator clear shaft, after serial # 28 500, up to serial # 120 000	1.48
08/9509-001.1/07	18" same as above after serial # 120 000, up to serial # 342 000, with 2 holes but no thread	1.48
08/9509-001.1/12	18" same as above, with 2 holes & thread, after serial # 342 000	14.40
08/9521-001.2	18" paper bail assembly, complete, pica 10 pitch	14.40
08/9521-035.2	18" paper bail assembly, complete, elite 11 pitch	14.40
08/9521-045.2	18" paper bail assembly, complete, diamond 14 pitch	14.40
08/9521-055.2	18" paper bail assembly, complete, elite 12 pitch	14.40
08/9521-065.2	18" paper bail assembly, complete, diamond 17 pitch	2.88
08/9522-001.1/02	18" paper bail rod, pica 10 pitch, up to serial # 58 000 with inside thread	2.88
08/9522-001.1/03	18" paper bail rod, pica 10 pitch, after serial # 58 000	2.88
08/9522-035.1/01	18" paper bail rod, elite 11 pitch, with inside thread, up to serial # 58 000	2.88
08/9522-035.1/02	18" same as above after serial # 58 000	2.88
08/9522-045.1	18" paper bail rod, diamond 14 pitch, after serial # 58 000	2.88
08/9522-055.1	18" paper bail rod, elite 12 pitch, after serial # 58 000	2.88
08/9522-065.1	18" paper bail rod, diamond 17 pitch, after serial # 58 000	2.68
08/9523-001.2	18" eraser table	0.10
08/9525-001.1	18" felt lining for eraser table	1.76
08/9527-001.2/02	18" paper bail swing shaft	4.24
08/9529-001.2	18" paper table with guide	0.12
08/9532-001.1	18" felt lining for paper table, upper part	0.12
08/9533-001.1	18" felt lining for paper table, lower part	13.52
08/9534-001.2	18" platen, soft 1-3 copies	1.12
08/9538-001.2	18" & 24" ball bearing separators for upper & lower rail	13.52
08/9541-001.2	18" platen, specify code	7.20
08/9543-001.2	18" carriage back plate	1.12
08/9546-001.2	18" dust pan, not used after serial # 186 000	0.36
08/9551-001.1	18" carriage rail dust strip	4.00
08/9558-001.2/00	18" carrier with margin scale, pica 10 pitch, up to serial # 359 000	4.00
08/9558-001.2/01	18" same as above, after serial # 359 000 up to serial # 467 000	4.40
08/9558-001.2/02	18" same as above, after serial # 467 000 (without plastic paper support)	4.00
08/9558-035.2/00	18" carrier with margin scale, elite 11 pitch, up to serial # 359 000	4.00
08/9558-035.2/01	18" same as above, after serial # 359 000, up to serial # 467 000	4.40
08/9558-035.2/02	18" same as above, after serial # 467 000 without plastic paper support	4.00
08/9558-045.2/00	18" carrier with margin scale, diamond 14 pitch, up to serial # 359 000	4.00
08/9558-045.2/01	18" carrier with margin scale, diamond 14 pitch, after serial # 359 000, up to serial # 467 000	4.00
08/9558-045.2/02	18" carrier with margin scale, diamond 14 pitch, after serial # 467 000, without plastic paper support	4.40
08/9558-055.2/00	18" carrier with margin scale, elite 12 pitch, up to serial # 359 000	4.00
08/9558-055.2/01	18" carrier with margin scale, elite 12 pitch, after serial # 359 000, up to serial # 467 000	4.00
08/9558-055.2/02	18" carrier with margin scale, elite 12 pitch, after serial # 467 000, no plastic paper support	4.40
08/9558-065.2	18" carrier with margin scale, diamond 17 pitch, after serial # 467 000, no plastic paper support	4.40
08/9571-001.1	18" carriage dust cover	1.82
08/9572-001.2	18" paper table after serial # 467 000	2.40
08/9602-001.1	24" paper feed assembly shaft, up to serial # 370 000	0.96
08/9603-001.2/02	24" paper release shaft, up to serial # 370 000, after use part # 08/2630-001.2	3.44
08/9605-001.2	24" tabulator rack, complete, pica 10 pitch	23.68
08/9605-035.2	24" tabulator rack, complete, elite 11 pitch	23.68
08/9605-045.2	24" tabulator rack, complete, diamond 14 pitch	23.68

Prices Subject to Change Without Notice

# Olympia STANDARD PARTS

PART NO.	DESCRIPTION	PRICE
08/9605-055.2	24" tabulator rack, complete, elite 12 pitch	23.68
08/9605-065.2	24" tabulator rack, complete, diamond 17 pitch	23.58
08/9606-001.1	24" tabulator rail, aluminum, pica 10 pitch	7.60
08/9606-035.1	24" tabulator rail, aluminum, elite 11 pitch	7.60
08/9606-045.1	24" tabulator rail, aluminum, diamond 14 pitch	7.60
08/9606-055.1	24" tabulator rail, aluminum, elite 12 pitch	7.60
08/9606-065.1	24" tabulator rail, aluminum, diamond 17 pitch	7.60
08/9609-001.1/06	24" tabulator clear shaft, up to serial # 342 000	1.80
08/9609-001.1/08	24" tabulator clear shaft, after serial # 342 000	1.80
08/9611-001.2	Main spring drum for all carriage sizes	3.32
08/9621-001.2	24" paper bail assembly complete, pica 10 pitch	15.60
08/9621-035.2	24" paper bail assembly complete, elite 11 pitch	15.60
08/9621-045.2	24" paper bail assembly complete, diamond 14 pitch	15.60
08/9621-055.2	24" paper bail assembly complete, elite 12 pitch	15.60
08/9621-065.2	24" paper bail assembly complete, diamond 17 pitch	15.60
08/9622-001.1	24" paper bail rod, pica 10 pitch	5.64
08/9622-035.1	24" paper bail rod, elite 11 pitch	5.64
08/9622-045.1	24" paper bail rod, diamond 14 pitch	5.64
08/9622-055.1	24" paper bail rod, elite 12 pitch	5.64
08/9622-065.1	24" paper bail rod, diamond 17 pitch	5.64
08/9623-001.2	24" eraser table,	4.08
08/9625-001.1	24" felt lining for eraser table	0.12
08/9229-001.2	24" paper table with guide	5.84
08/9632-001.1	24" felt lining for paper table, upper part	0.12
08/9633-001.1	24" felt lining for paper table, lower part	0.12
08/9634-001.2	24" platen, soft, 1-3 copies	18.40
08/9641-001.2	24" platen, specify code	18.40
08/9643-001.2	24" carriage back plate	12.80
08/9646-001.2	24" dust pan, left side, not used after serial # 186 000	1.00
08/9651-001.1	24" carriage rail dust strip	0.40
08/9658-001.2/02	24" carrier with margin scale, pica 10 pitch, up to serial # 370 000	5.68
08/9658-001.2/03	24" carrier with margin scale, pica 10 pitch, after serial # 370 000	5.68
08/9658-035.2/00	24" carrier with margin scale, elite 11 pitch, up to serial # 370 000	5.68
08/9658-035.2/01	24" carrier with margin scale, elite 11 pitch, after serial # 370 000	5.68
08/9658-045.2/00	24" carrier with margin scale, diamond 14 pitch, up to serial # 370 000	5.68
08/9658-045.2/01	24" carrier with margin scale, diamond 14 pitch, after serial # 370 000	5.68
08/9658-055.2/01	24" carrier with margin scale, elite 12 pitch, after serial # 370 000	5.68
08/9658-065.2	24" carrier with margin scale, diamond 17 pitch, after serial # 370 000	5.68
08/9671-001.1	24" carriage dust cover	2.00
08/9672-001.2	24" Paper table, after serial # 370 000	2.72
08/9692-001.2	Bearing bracket, left side	0.60
08/9693-001.2	Bearing bracket, right side	0.60
08/9702-001.1	35" paper feed assembly shaft, up to serial # 370 000	1.44
08/9703-001.2/00	35" paper release shaft, old style	4.72
08/9703-001.2/04	35" paper release shaft, up to serial # 370 000, after use part # 08/2730-001.2	4.72
08/9705-001.2	35" tabulator rack, complete, pica 10 pitch	29.12
08/9705-035.2	35" tabulator rack, complete, elite 11 pitch	29.12
08/9705-045.2	35" tabulator rack, complete, diamond 14 pitch	29.12
08/9705-055.2	35" tabulator rack, complete, elite 12 pitch	29.12
08/9705-065.2	35" tabulator rack, complete, diamond 17 pitch	29.12
08/9706-001.1	35" tabulator rail, pica 10 pitch	9.60
08/9706-035.1	35" tabulator rail, elite 11 pitch	9.60
08/9706-045.1	35" tabulator rail, diamond 14 pitch	9.60
08/9706-055.1	35" tabulator rail, elite 12 pitch	9.60
08/9706-065.1	35" tabulator rail, diamond 17 pitch	9.60
08/9709-001.1	35" tabulator clear shaft, after serial # 120 000, up to serial # 342 000	2.80
08/9709-001.1/07	35" tabulator clear shaft, after serial # 342 000	2.80
08/9721-001.2	35" paper bail assembly, complete, pica 10 pitch	17.60

Prices Subject to Change Without Notice

# Olympia STANDARD PARTS

PART NO.	DESCRIPTION	PRICE
08/9721-035.2	35" paper bail assembly, complete, elite 11 pitch	17.60
08/9721-045.2	35" paper bail assembly, complete, diamond 14 pitch	17.60
08/9721-055.2	35" paper bail assembly, complete, elite 12 pitch	17.60
08/9722-065.2	35" paper bail assembly, complete, diamond 17 pitch	8.40
08/9722-001.1	35" paper bail rod, pica 10 pitch	8.40
08/9722-035.1	35" paper bail rod, elite 11 pitch	8.40
08/9722-045.1	35" paper bail rod, diamond 14 pitch	8.40
08/9722-055.1	35" paper bail rod, elite 12 pitch	8.40
08/9722-065.1	35" paper bail rod, diamond 17 pitch	5.64
08/9723-001.2	35" eraser table,	4.32
08/9730-001.2	35" paper table with guide	0.16
08/9732-001.1	35" felt lining for paper table, upper part	0.16
08/9733-001.1	35" felt lining for paper table, lower part	27.52
08/9734-001.2	35" platen, soft, 1-3 copies	27.52
08/9741-001.2	35" platen, specify code	16.80
08/9743-001.2	35" carriage back plate	0.60
08/9751-001.1	35" carriage rail dust strip	8.40
08/9758-001.2/00	35" carrier with margin scale, pica 10 pitch, up to serial # 172 000	8.40
08/9758-001.2/01	35" carrier with margin scale, pica 10 pitch, after serial # 172 000	8.40
08/9758-035.2/00	35" carrier with margin scale, elite 11 pitch, up to serial # 172 000	8.40
08/9758-035.2/01	35" carrier with margin scale, elite 11 pitch, after serial # 172 000	8.40
08/9758-045.2/00	35" carrier with margin scale, diamond 14 pitch, up to serial # 172 000	8.40
08/9758-045.2/01	35" carrier with margin scale, diamond 14 pitch, after serial # 172 000	8.40
08/9758-055.2/00	35" carrier with margin scale, elite 12 pitch, up to serial # 172 000	8.40
08/9758-055.2/01	35" carrier with margin scale, elite 12 pitch, after serial # 172 000	8.40
08/9758-065.2	35" carrier with margin scale, diamond 17 pitch, after serial # 172 000	2.50
08/9771-001.1	35" carriage dust cover	4.08
08/9772-001.2	35" paper table after serial # 172 000	

*Olympia* STANDARD PARTS

PART NO.	DESCRIPTION	PRICE	
11316-0x.6	Prism head screw	4x10 mm	0.03
11318-0x.6	Prism head screw	4x14 mm	0.04
11324-6x.6	Prism head screw	4x22 mm	0.08
11356-0x.6	Prism head screw	3x8 mm	0.03
11424-0x.6	Prism head binding screw	5x9 mm	0.10
12176-02.6	Cylinder head screw	5x50 mm	0.18
12277-0x.6	Cylinder head screw	5x32 mm	0.16
12278-0x.6	Cylinder head screw	5x70 mm	0.20
12279-0x.6	Cylinder head screw	5x80 mm	0.20
12280-0x.6	Cylinder head screw	5x92 mm	0.20
12281-0x.6	Cylinder head screw	5x82.5 mm	0.20
12502-0x.6	Cylinder head screw	2x6 mm	0.01
12504-0x.6	Cylinder head screw	2x12 mm	0.01
12505-0x.6	Cylinder head screw	2.3x3 mm	0.01
12525-0x.6	Cylinder head screw	3x3 mm	0.01
12526-0x.6	Cylinder head screw	3x4 mm	0.01
12527-0x.6	Cylinder head screw	3x5 mm	0.01
12528-0x.6	Cylinder head screw	3x6 mm	0.01
12530-0x.6	Cylinder head screw	3x8 mm	0.01
12531-0x.6	Cylinder head screw	3x10 mm	0.01
12532-0x.6	Cylinder head screw	3x12 mm	0.01
12534-0x.6	Cylinder head screw	3x15 mm	0.01
12535-0x.6	Cylinder head screw	3x18 mm	0.01
12550-0x.6	Cylinder head screw	4x5 mm	0.02
12551-0x.6	Cylinder head screw	4x6 mm	0.02
12553-0x.6	Cylinder head screw	4x8 mm	0.02
12554-0x.6	Cylinder head screw	4x10 mm	0.02
12555-0x.6	Cylinder head screw	4x12 mm	0.02
12556-0x.6	Cylinder head screw	4x15 mm	0.02
12557-0x.6	Cylinder head screw	4x18 mm	0.02
12559-0x.6	Cylinder head screw	4x22 mm	0.02
12560-0x.6	Cylinder head screw	4x25 mm	0.03
12568-0x.6	Cylinder head screw	5x12 mm	0.03
12975-0x.6	Cylinder head screw with pivot	4x15 mm	0.10
13258-0x.6	Cylinder head screw	5x6 mm	0.04
14008-0x.6	Oval head screw	3x4 mm	0.01
14010-0x.6	Oval head screw	3x6 mm	0.01
14141-0x.6	Oval head screw	3x5.5 mm	0.05
14145-0x.6	Oval head screw	3x15 mm	0.05
14148-0x.6	Oval head screw	4x6 mm	0.05
14149-0x.6	Oval head screw	4x7 mm	0.03
14173-0x.6	Oval head screw	3x3 mm	0.02
14174-0x.6	Oval head screw	3x4 mm	0.02
14175-0x.6	Oval head screw	3x6 mm	0.03
14176-0x.6	Oval head screw	3x12 mm	0.05
14181-0x.6	Oval head screw	4x5 mm	0.03
14182-0x.6	Oval head screw	4x6 mm	0.03
14183-0x.6	Oval head screw	4x8 mm	0.03
14184-0x.6	Oval head screw	4x10 mm	0.05
15015-6x.6	Ring set screw	3x3 mm	0.03
15016-6x.6	Ring set screw	3x4 mm	0.03
15017-6x.6	Ring set screw	3x5 mm	0.03
15018-0x.6	Ring set screw	3x6 mm	0.03
15216-6x.6	Cone screw	6x6 mm	0.10
15420-0x.6	Collar screw	3/4x6+4	0.04
15451-0x.6	Collar screw	2.6/3.5 1.3+2.3	0.03

Prices Subject to Change Without Notice

# Olympia STANDARD PARTS

PART NO.	DESCRIPTION	PRICE	
15454-0x.6	Collar screw	2.6/3.5/2 φ x2.2+3.9+2 mm	0.04
15458-0x.6	Collar screw	3/4φx1.8+3 mm	0.04
15459-0x.6	Collar screw	3/4φx2.2+3 mm	0.04
15464-0x.6	Collar screw	3/4φx2.4+4 mm	0.04
15468-0x.6	Collar screw	3/4φx16.3+5 mm	0.04
15470-0x.6	Collar screw	3/4φx2.3+8	0.04
15471-0x.6	Collar screw	3/4φx3.7+3.3 mm	0.05
15478-0x.6	Collar screw	4x15.8 mm	0.15
15490-0x.6	Collar screw	5/7φx10+8 mm	0.10
15613-0x.6	Collar screw	3/4φx15+3.9 mm	0.05
15642-0x.6	Collar screw	3/4φx5.6+6 mm	0.05
15650-0x.6	Collar screw	4/5.5φx4.2+5 mm	0.05
15652-0x.6	Collar screw	4/5.5φx2.8+7.4	0.15
15659-0x.6	Collar screw	5/7φx11.5+6.5 mm	0.20
15660-6x.6	Collar screw	5/7φx13.7 mm	0.04
15672-0x.6	Collar screw	3/4φx2.2+3 mm	0.05
15674-0x.6	Collar screw	3/4φx7.3+7 mm	0.04
15676-0x.6	Collar screw	3/5φx1.6+4.5 mm	0.05
15690-0x.6	Collar screw	4/5.5φx2.6+6 mm	0.05
15692-0x.6	Collar screw	4/5φx1.7+8.25 mm	0.04
15704-0x.6	Collar screw	3/7φx2.2+5.8 mm	0.07
15705-0x.6	Collar screw	3/4φx10+7 mm	0.02
18208-0x.6	Oval head counter sunk screw	3x4.5 mm	0.02
18211-0x.6	Oval head counter sunk screw	3x8 mm	0.02
18212-0x.6	Oval head counter sunk screw	3x10 mm	0.10
18915-0x.6	Oval head counter sunk screw with collar	3/4φx1.5+2.1+7 mm	0.02
19015-0x.6	Flat head sunk screw	2.6x5 mm	0.02
19026-0x.6	Flat head sunk screw	3x12 mm	0.04
20310-0x.6	Stud screw with groove	3/4φx1.5+2.1+3.5 mm	0.03
20311-0x.6	Stud screw with groove	3/4φx8+4.3 mm	0.03
20316-0x.6	Stud screw with groove	3/4φx4.5+6.4 mm	0.03
20320-0x.6	Stud screw with groove	3/4φx4+9.6 mm	0.04
20325-0x.6	Stud screw with groove	3/4φx4+22 mm	0.03
20366-0x.6	Actuating screw with groove	3/5φx4+4.5 mm	0.04
20368-0x.6	Actuating screw with 3 grooves	3/4φx5+21.5 mm	0.20
20414-0x.6	Stud screw with groove and collar	4/8φ/5φx8+5.5+34.5 mm	0.08
20442-0x.6	Hanger screw with collar	3/7φ4φx4+1.1+3.9 mm	0.72
20801-5x.6	Buffer	4 mm	0.01
21014-0x.6	Shaft screw	3x6 mm	0.01
21016-0x.6	Shaft screw	3/10 mm	0.04
212-12-0x.6	Shaft screw with collar	3/7φ/3φx4+1+2 mm	0.05
21224-0x.6	Shaft screw with collar	4/6φ4φx6+1.5+11 mm	0.02
21317-0x.6	Shaft screw with groove	3/3φx11+2.2+4 mm	0.06
21406-0x.6/03	Shaft screw with groove & collar	3/5.5φ/3φx4+1+3.7 mm	0.06
21408-0x.6/06	Shaft screw with groove & collar	3/5.5φ/3φx5+1+3.7 mm	0.04
21408-0x.6	Shaft screw with groove & collar	4/6φ3.5φx3.5+13.5 mm	0.10
21411-0x.6	Shaft screw with groove & collar	4/5.5φx6+6+12.6 mm	0.10
21420-0x.6/04	Shaft screw with groove & collar	5/11φ/7.5φ/4φx6+2.5+14 mm	0.10
21421-0x.6	Shaft screw with groove & collar	5/11φ/4φx6+2.5+20 mm	0.07
21431-0x.6	Shaft screw with groove & collar	3/6φ/3φx3+1.6+17.9 mm	0.05
21452-0x.6	Shaft screw with groove & collar	3/5.5φ/3φx3.5+1+6.8 mm	0.10
21457-0x.6	Shaft screw with groove & prism	4/3φx5.5+1.8+7.2 mm	0.10
21458-0x.6	Shaft screw with groove & prism	4x17 mm	0.10
21459-0x.6	Shaft screw with groove & prism	4/4φx6+4+12.2 mm	0.10
21460-0x.5	Shaft screw with groove & prism	4/4φx6+3.8+15.2 mm	0.14
21460-0x.6	Shaft screw with groove & prism	4/4φx8+12+26	0.14

# Olympia STANDARD PARTS

PART NO.	DESCRIPTION	PRICE	
21462-0x.6	Shaft screw with groove & prism	4/4φx8+12+26 mm	0.14
21463-6x.6	Shaft screw with groove & prism	4/4φx8+13.5+15.5 mm	0.18
21464-0x.6	Shaft screw with groove & prism	4/4φx8+22.5+15.5 mm	0.12
21470-0x.6	Shaft screw with groove & prism	4/4φx4+4+14 mm	0.12
21482-0x.6	Shaft screw with groove & prism	4/3φx9+6.5 mm	0.09
21510-0x.6	Shaft screw with stud	3/2.2φx6.6+11 mm	0.03
23007-0x.6	Worm screw	2.6x5 mm	0.01
23008-0x.6	Worm screw (Escapment dog adjustment)	2.6x6 mm	0.01
23012-0x.6	Work screw	3x6 mm	0.01
23013-0x.6	Worm screw	3x8 mm	0.01
23021-0x.6	Worm screw	4x6 mm	0.01
23024-0x.6	Worm screw	4x10 mm	0.02
23032-0x.6	Worm screw	5x10 mm	0.02
23108-0x.6	Worm screw	2.6x6 mm	0.02
23132-0x.6	Worm screw	4x15 mm	0.04
23133-0x.6	Worm screw	4x18 mm	0.10
23206-0x.6	Worm screw with stud	3x10 mm	0.10
23210-0x.6	Worm screw with stud	3/2φx15 mm	0.10
23260-0x.6	Worm screw with stud	4x8 mm	0.10
23467-0x.6	Worm screw with point	4x13.2 mm	0.04
23817-6x.6	Worm screw with ring set	3x3 mm	0.03
23820-6x.6	Worm screw with ring set	3x6 mm	0.03
23821-6x.6	Worm screw with ring set	3x8 mm	0.03
25935-0x.6	Knurled head screw	3x6.5+6 mm	0.10
30518-0x.6	Nut	2.6x1.6 mm	0.02
30519-0x.6	Nut	3 mm	0.02
30521-0x.6	Nut	4 mm	0.02
30522-0x.6	Nut	5x2.5 mm	0.03
30523-0x.6	Nut	6 mm	0.02
30954-0x.6	Nut (Chrome plated)	5x2 mm	0.07
30955-0x.6/01	Nut	2.6x4.5 mm	0.02
30955-0x.6/00	Nut	2.6x2.5 mm	0.02
30956-0x.6	Nut	3x1.6 mm	0.03
30957-0x.6	Nut	5x3.2 mm	0.04
30958-0x.6	Nut	4x8 mm	0.04
32008-0x.6	Round nut	3x2.5 mm	0.05
34007-0x.6	Washer	4.3φ/9φx0.8 mm	0.01
34055-0x.6	Washer	3.2φ/7φx0.5 mm	0.01
34057-0x.6	Washer	4.3φ/9φx0.8 mm	0.01
34107-0x.6	Washer	3.2φ/6φx0.5 mm	0.01
34108-0x.6	Washer	3.7φ/7φx0.5 mm	0.01
34109-0x.6	Washer	4.3φ/8φx0.5 mm	0.01
34110-0x.6	Washer	5.3φ/10φx1 mm	0.01
34252-5x.6	Washer (Felt)	2φ/7φx1 mm	0.02
34259-0x.6	Spacing washer	2.8φ/7φx0.8 mm	0.02
34264-0x.6	Spacing washer	3.2φ/6φx1 mm	0.02
34265-0x.6	Spacing washer	3.2φ/7φx1 mm	0.01
34267-0x.6	Spacing washer	3.2φ/9φx1 mm	0.01
34271-0x.6	Spacing washer	3φ/6φx0.5 mm	0.02
34271-0x.6	Spacing washer	3φ/6φx0.5 mm	0.02
34277-0x.6	Spacing washer	4.3φ/12φx0.8 mm	0.02
34278-0x.6	Spacing washer	4.3φ/12φx2 mm	0.02
34279-0x.6	Spacing washer	5φ/12φx2 mm	0.05
34280-5x.6	Spacing washer (rubber)	5φ/12φx4 mm	0.01
34281-0x.6	Spacing washer	7.2φ/14φx1.5 mm	0.04
34283-0x.6	Spacing washer	5.8φ/10φx1 mm	0.01

# Olympia STANDARD PARTS

PART NO.	DESCRIPTION	PRICE
34284-0x.6	Spacing washer	0.08
34286-0x.6	Spacing washer	0.01
34287-0x.6	Spacing washer	0.01
34288-0x.6	Spacing washer	0.01
34290-0x.6/01	Spacing washer	0.05
34291-0x.6/00	Spacing washer	0.05
34293-0x.6/00	Spacing washer	0.06
34314-0x.6	Spacing washer	0.02
34343-0x.6	Spacing washer	0.10
34404-6x.6	Spacing washer (plastic)	0.10
35035-6x.6	Spring washer	0.12
35051-6x.6	Spring washer	0.10
35105-6x.6	Lock washer	0.10
35132-6x.6	Lock washer	0.02
35133-6x.6	Lock washer	0.02
35204-6x.6	Fan shaped lock washer	0.02
35501-6x.6	Retaining spring	0.01
35502-6x.6	Retaining spring	0.01
35503-6x.6	Retaining spring	0.01
35504-6x.6	Retaining spring	0.01
35505-6x.6	Retaining spring	0.01
35506-6x.6	Retaining spring	0.02
35507-6x.6	Retaining spring	0.02
35508-6x.6	Retaining spring	0.02
35510-6x.6	Retaining spring	0.03
35704-6x.6	Spacing ring	0.04
36206-6x.6	Spring washer	0.01
36207-6x.6	Spring washer	0.01
36223-6x.6	Spring washer	0.01
36551-6x.6	Circlip	0.02
36552-0x.6	Circlip	0.02
36558-4x.6	Circlip	0.05
36565-6x.6	Circlip	0.05
36808-0x.6	Spacing ring	0.12
36815-0x.6	Spacing ring	0.16
36816-0x.6	Spacing ring	0.16
36820-0x.6	Spacing ring	0.16
37528-5x.6	Rubber tubing	0.02
37529-5x.6	Rubber tubing	0.02
37530-5x.6	Rubber tubing	0.02
37531-5x.6	Rubber tubing	0.03
37532-5x.6	Rubber tubing	0.03
37533-5x.6	Rubber tubing	0.03
37534-5x.6	Rubber tubing	0.03
37535-5x.6	Rubber tubing	0.03
37572-0x.6	Roll	0.08
37607-0x.6	Spacing bushing	0.03
37608-0x.6	Spacing bushing	0.03
37618-0x.6	Spacing bushing	0.03
37619-0x.6	Spacing bushing	0.03
37626-0x.6	Spacing bushing	0.03
37630-0x.6	Spacing bushing	0.04
37632-0x.6	Spacing bushing	0.04
37633-0x.6	Spacing bushing	0.04
37634-0x.6	Spacing bushing	0.04
37635-0x.6	Spacing bushing	0.04

# Olympia STANDARD PARTS

PART NO.	DESCRIPTION	PRICE
37636-0x.6	Spacing bushing	8φx0.75x18 mm 0.05
37639-0x.6	Spacing bushing	8φx0.75x37 mm 0.08
37640-0x.6	Spacing bushing	8φx0.75x25 mm 0.07
37641-0x.6	Spacing bushing	8φx0.75x20.2 mm 0.06
37642-0x.6	Spacing bushing	10φx1.5x25 mm 0.03
37645-0x.6	Spacing bushing	9φx1.45x8 mm 0.04
37812-6x.6	Ratchet detend roll	3.6φ/2φx6 mm 0.06
37815-6x.6	Top plate roll	4φ/2.5φx11.5 mm 0.06
37818-6x.6	Roll	6φ/3φx2.5 mm 0.06
37827-6x.6	Roll	5φ/3φx4.9 mm 0.06
37830-6x.6	Roll (tension lever lock)	7φ/3φx5 mm 0.07
37832-6x.6	Roll	5φ/3φx10 mm 0.07
37866-6x.6	Roll with groove	10φ/4φx11.3 mm 0.08
37890-6x.6	Roll	9φ/3φx2.5 mm 0.08
38028-0x.6	Shaft with 2 studs	2.5φ/1.5φx6+2 mm 0.05
38032-0x.6	Shaft with 2 studs	2.5φ/2φx58+2x4 mm 0.07
38040-0x.6	Shaft	4φ/3φx12+2x1 mm 0.07
38054-0x.6	Space bar actuating arm shaft	3φx27 mm 0.05
38060-0x.6	Paper bail swing arm shaft	3.5φx77 mm 0.05
38061-0x.6	Carriage lock shaft	4φx12.7 +2x1.8 mm 0.05
38075-0x.6	Shaft with groove	4φx10.5/4.75 mm 0.05
38076-0x.6	Shaft with groove	4φx10.5/4.15 mm 0.05
38081-0x.6	Shaft with groove	3φx22/10.7 mm 0.05
38092-0x.6	Shaft with groove	2.5φx9/1.5 mm 0.05
38095-0x.6	Top cover lock shaft	2.5φx25/5.8 mm 0.05
38160-0x.6	Shaft with oval head & groove	4φ/5φx11.9+1.9 mm 0.05
40207-0x.6	Round head rivet	1.4φx3 mm 0.02
40208-0x.6	Round head rivet	1.4x2.5 mm 0.02
40233-0x.6	Round head rivet	2x4 mm 0.01
40235-0x.6	Round head rivet	2x6 mm 0.01
40241-0x.6	Round head rivet	2.6x4 mm 0.02
40423-0x.6	Round head rivet	1.7x4 mm 0.01
40526-3x.6	Sink rivet	2x4 mm 0.02
41412-1x.6	Tubular rivet	2φx2.5x0.2 mm 0.02
41413-1x.6	Tubular rivet	2x3x0.2 mm 0.02
41414-1x.6	Tubular rivet	2x3.5x0.2 mm 0.03
41445-1x.6	Tubular rivet	3x3x0.25 mm 0.02
41488-0x.6	Tubular rivet	8x18x0.5 mm 0.03
41504-0x.6	Cotter pin (ribbon vibrator)	1.75x13 mm 0.02
41931-0x.6	Cylinder pin	3x8 mm 0.03
42222-0x.6	Rivet	4φ/2.5φx6+3.8 mm 0.04
43058-6x.6	Collar rivet	3φ/1.8φx1.7+3 mm 0.05
43610-0x.6	Collar rivet	2.5φ/1.6φx1.4 mm 0.05
43835-0x.6	Collar rivet	2.5φ/3.5φx0.47+3.58 mm 0.05
44078-0x.6	Collar rivet with groove	4φ/2.5φx1.65+4.05 mm 0.05
47113-0x.6	Cylinder pin	1.5x5 mm 0.02
47118-0x.6	Cylinder pin	2x4 mm 0.02
47120-0x.6	Cylinder pin	2x6 mm 0.02
47122-0x.6	Cylinder pin	2x8 mm 0.02
47132-0x.6	Cylinder pin	2.5x8 mm 0.03
47141-0x.6	Cylinder pin	3x8 mm 0.03
47314-0x.6	Cylinder pin	1.5x6 mm 0.02
47319-0x.6	Cylinder pin	2x4 mm 0.02
47321-0x.6	Cylinder pin	2x6 mm 0.02
47328-0x.6	Cylinder pin	2x8 mm 0.02
47330-0x.6	Cylinder pin	2.5x8 mm 0.03
47435-0x.6	Dowel pin	1.5x10 mm 0.02

Prices Subject to Change Without Notice

# Olympia STANDARD PARTS

PART NO.	DESCRIPTION	PRICE
47438-0x.6	Dowel pin	0.02
47439-0x.6	Dowel pin	0.02
47440-0x.6	Dowel pin	0.03
47441-0x.6	Dowel pin	0.03
47442-0x.6	Dowel pin	0.03
47444-0x.6	Dowel pin	0.03
47448-0x.6	Dowel pin	0.03
47452-0x.6	Dowel pin	0.03
47456-0x.6	Dowel pin	0.03
47466-0x.6	Cylinder dowel pin	0.03
47468-0x.6	Cylinder dowel pin	0.03
47469-0x.6	Cylinder dowel pin	0.03
47470-0x.6	Cylinder dowel pin	0.03
47473-0x.6	Cylinder dowel pin	0.03
47477-0x.6	Cylinder dowel pin	0.03
47480-0x.6	Cylinder dowel pin	0.03
47656-6x.6	Dowel pin (cocking pin)	0.03
47658-6x.6	Dowel pin (cocking pin)	0.03
47660-6x.6	Dowel pin (cocking pin)	0.03
47662-6x.6	Dowel pin (cocking pin)	0.03
47663-6x.6	Dowel pin (cocking pin)	0.03
47664-6x.6	Dowel pin (cocking pin)	0.03
47677-6x.6	Dowel pin (cocking pin)	0.02
47802-0x.6	Notched pin	0.02
47803-0x.6	Notched pin	0.02
47816-0x.6	Notched pin	0.02
47922-0x.6	Cylinder pin	0.02
48507-1x.6	Cotter pin	0.02
48523-0x.6	Cotter pin	0.02
51502-6x.6	Ball bearing	0.02
51505-6x.6	Ball bearing	0.02
51508-6x.6	Ball bearing	0.02
51509-6x.6	Ball bearing	0.02
51607-6x.6	Ball bearing	0.02
51621-6x.6	Ball bearing	0.03
51626-6x.6	Ball bearing	0.00
53152-04.1	Representative plate	0.25
53205-5x.7	OLYMPIA name plate	0.00
53316-50.6	OLYMPIA Reg. U.S. Patent Office (Decal)	0.12
80010-6x.6	Cup spring	0.02
80036-6x.6	Cup spring	0.02
80301-0x.6	Right side platen shaft toggle bolt	0.02
81028-0x.6	Shock absorber spring	0.12
83052-0x.6	Draw spring	0.12
83170-0x.6	Draw spring	0.12
83175-0x.6	Double space arm spring	0.12
83179-0x.6	Ribbon pawl arm spring	0.12
83182-0x.6	Ribbon actuator spring	0.12
83217-0x.6	Draw spring	0.12
83364-0x.6	Pawl tension spring	0.12
83368-0x.6	Tabulator set lever spring	0.12
83369-0x.6	Shift lever spring	0.12
83382-0x.6	Draw spring	0.12
83383-0x.6	Draw spring	0.12
83465-0x.6	Draw spring	0.12
83523-0x.6	Draw spring	0.08
	3x12 mm	
	2x10 mm	
	2x12 mm	
	2x14 mm	
	2x16 mm	
	2x25 mm	
	2.5x8 mm	
	2.5x20 mm	
	3x12 mm	
	1.5x4 mm	
	1.5x8 mm	
	1.5x10 mm	
	1.5x12 mm	
	1.5x18 mm	
	2x6 mm	
	2x12 mm	
	1.5/1.7x5 mm	
	1.5/1.7x10 mm	
	1.5/1.7x18 mm	
	2/2.3x8 mm	
	2/2.3x10 mm	
	2/2.3x12 mm	
	3/3.3x8 mm	
	1.4x3 mm	
	1.4x4 mm	
	2x12 mm	
	2x8 mm	
	1x4 mm	
	1.5x10 mm	
	1.5 φ mm	
	2.5 φ mm	
	4 φ mm	
	4.5 φ mm	
	3 φ mm	
	6 φ mm	
	7 φ mm	
	12 φ/4.2 φ x 0.4 mm	
	20 φ/15 φ x 0.2 mm	
	2x9 mm	
	6.5 φ/4.2 φ/0.5 φ x 11 mm	
	2.6 φ/0.11 φ x 20.6 mm	
	3 φ/0.2 φ x 9 mm	
	3 φ/0.18 φ x 15 mm	
	3 φ/4.5 φ x 22 mm	
	3 φ/0.18 φ x 20 mm	
	2.5 φ/0.2 φ x 9 mm	
	3.5 φ/0.25 φ x 10.5 mm	
	3.5 φ/0.25 φ x 12 mm	
	4 φ/0.25 φ x 12 mm	
	3.5 φ/0.25 φ x 15 mm	
	3.5 φ/0.25 φ x 15 mm	
	3 φ/0.28 φ x 10.75 mm	
	3.5 φ/0.3 φ x 16.1 mm	

# Olympia STANDARD PARTS

PART NO.	DESCRIPTION	PRICE
83524-0x.6	Draw spring 3.5 $\phi$ /0.3 $\phi$ x15.1 mm	0.12
83531-0x.6	Draw spring 4 $\phi$ /0.28 $\phi$ x17.3 mm	0.12
83542-0x.6	Draw spring 3 $\phi$ /0.3 $\phi$ x20 mm	0.12
83548-0x.6	Draw spring 4 $\phi$ /0.28 $\phi$ x21.2 mm	0.12
83555-0x.6	Draw spring 3.5 $\phi$ /0.3 $\phi$ x22 mm	0.12
83584-0x.6	Draw spring 2.9 $\phi$ /0.3 $\phi$ x43.2 mm	0.12
83608-0x.6	Draw spring 3.5 $\phi$ /0.32 $\phi$ x14.4 mm	0.12
83618-0x.6	Draw spring 4 $\phi$ /0.32 $\phi$ x24 mm	0.12
83626-0x.6	Draw spring 2.5 $\phi$ /0.32 $\phi$ x35.5 mm	0.12
83722-0x.6	Draw spring 3.5 $\phi$ /0.25 $\phi$ x20.5 mm	0.12
83832-0x.6	Draw spring 5 $\phi$ /0.56 $\phi$ x15 mm	0.12
83833-0x.6	Draw spring 3.5 $\phi$ /0.4 $\phi$ x15.3 mm	0.12
83844-0x.6	Draw spring 5 $\phi$ /0.4 $\phi$ x17.5 mm	0.12
83847-0x.6	Draw spring 3.5 $\phi$ /0.45 $\phi$ x17.4 mm	0.12
83852-0x.6	Draw spring 4.5 $\phi$ /0.4 $\phi$ x30.8 mm	0.12
83858-0x.6	Draw spring 6.5 $\phi$ /0.4 $\phi$ x24 mm	0.12
83858-0x.6	Draw spring 6.5 $\phi$ /0.45 $\phi$ x24 mm	0.12
83958-0x.6	Draw spring 3.5 $\phi$ /0.45 $\phi$ x82 mm	0.16
83968-0x.6	Draw spring 3.5 $\phi$ /0.45 $\phi$ x14.5 mm	0.12
83974-0x.6	Draw spring 4.8 $\phi$ /0.56 $\phi$ x15.4 mm	0.12
83979-0x.6	Draw spring 5 $\phi$ /0.45 $\phi$ x19 mm	0.12
84008-0x.6	Draw spring 4.5 $\phi$ /0.45x26 mm	0.12
84028-0x.6	Draw spring 3.5 $\phi$ /0.45 $\phi$ x48 mm	0.12
84106-0x.6	Draw spring 3.5 $\phi$ /0.45 $\phi$ x10.6 mm	0.12
84118-0x.6	Draw spring 2.8 $\phi$ /0.5 $\phi$ x11.75 mm	0.12
84126-0x.6	Draw spring 4 $\phi$ /0.5 $\phi$ x15.4 mm	0.12
84136-0x.6	Draw spring 3 $\phi$ /0.5 $\phi$ x20 mm	0.12
84170-0x.6	Draw spring 4 $\phi$ /0.55 $\phi$ x 30.5 mm	0.12
84272-0x.6	Draw spring 5 $\phi$ /0.56 $\phi$ x 17 mm	0.12
84348-0x.6	Draw spring 6.5 $\phi$ /0.6 $\phi$ x 31 mm	0.12
84437-0x.6	Draw spring 5.7 $\phi$ /0.63 $\phi$ x32 mm	0.12
84438-0x.6	Draw spring 5 $\phi$ /0.63 $\phi$ x32 mm	0.12
84442-0x.6	Draw spring 6.5 $\phi$ /0.8 $\phi$ x37.8 mm	0.12
84500-0x.6	Draw spring 3.5 $\phi$ /0.7 $\phi$ x20.5 mm	0.16
84524-0x.6	Draw spring 5.5 $\phi$ /0.7 $\phi$ x38 mm	0.12
84527-0x.6	Draw spring 7.4 $\phi$ /0.7 $\phi$ x27.4 mm	0.12
84632-0x.6/04	Draw spring 11.6 $\phi$ /0.8 $\phi$ x 33.2 mm	0.12
84632-0x.6	Draw spring 11.6 $\phi$ /0.8 $\phi$ x 28.2 mm	0.12
84732-0x.6	Draw spring 6 $\phi$ /0.9 $\phi$ x26.6 mm	0.12
84806-0x.6	Draw spring 8 $\phi$ /1 $\phi$ x15.5 mm	0.12
85615-0x.6	Draw spring 2.5 $\phi$ /0.15 $\phi$ x7.4 mm	0.12
85684-0x.6	Draw spring 3.8 $\phi$ /0.35 $\phi$ x24 mm	0.12
85756-0x.6	Draw spring 7 $\phi$ /0.55 $\phi$ x26.9 mm	0.12
86266-0x.6	Pressure spring 5 $\phi$ /0.28 $\phi$ x56 mm	0.05
86292-0x.6	Pressure spring 5 $\phi$ /2.8 $\phi$ x56 mm	0.05
86368-0x.6	Pressure spring 4.5 $\phi$ /0.36 $\phi$ x11.6 mm	0.05
86368-0x.6/04	Pressure spring 4.5 $\phi$ /0.32 $\phi$ x15.7 mm	0.05
86410-0x.6	Pressure spring 2.5 $\phi$ /0.36 $\phi$ x10.5 mm	0.05
86622-0x.6	Pressure spring 4 $\phi$ /0.5 $\phi$ x8 mm	0.05
86623-0x.6	Pressure spring 6.5 $\phi$ /0.5 $\phi$ x16 mm	0.05
86713-0x.6	Spiral spring 24 $\phi$ /0.5 $\phi$ x18.6 mm	0.12
86716-0x.6	Coil spring 7.7 $\phi$ /0.6 $\phi$ x11 mm	0.05
86741-0x.6	Pressure spring 7 $\phi$ /0.63 $\phi$ x7.36 mm	0.05
86919-0x.6	Pressure spring 9.5 $\phi$ /0.8 $\phi$ x10 mm	0.05
86920-0x.6	Pressure spring 8.2 $\phi$ /0.8 $\phi$ x12.5 mm	0.05
86925-0x.6	Coil spring 9.5 $\phi$ /0.8 $\phi$ x9.1 mm	0.05

Prices Subject to Change Without Notice

# Olympia STANDARD PARTS

PART NO.	DESCRIPTION	PRICE
87353-0x.6	Pressure spring	22 $\phi$ /1.5 $\phi$ x32 mm 0.05
87368-0x.6	Pressure spring	9 $\phi$ /1.5 $\phi$ x32 mm 0.05
88263-0x.6	Torsion spring (left)	3.5 $\phi$ /0.25 $\phi$ x3.3 mm 0.08
88264-0x.6	Torsion spring (right)	3.5 $\phi$ /0.25 $\phi$ x3.3 mm 0.08
88268-0x.6	Torsion spring (left)	3.5 $\phi$ /0.25 $\phi$ x3.8 mm 0.08
88269-0x.6	Torsion spring (right)	3.5 $\phi$ /0.25 $\phi$ x3.8 mm 0.08
88271-0x.6	Torsion spring (right)	3.5 $\phi$ /0.25 $\phi$ x3.8 mm 0.08
88272-0x.6	Torsion spring (left)	3.5 $\phi$ /0.35 $\phi$ x3.8 mm 0.08
88273-0x.6	Torsion spring (right)	4 $\phi$ /0.25 $\phi$ x3.8 mm 0.08
88306-0x.6	Torsion spring (left)	4.5 $\phi$ /0.28 $\phi$ x1.15 mm 0.08
88520-0x.6	Torsion spring	4.7 $\phi$ /0.4 $\phi$ x 2.5 mm 0.08
88564-0x.6	Torsion spring (left)	4.4 $\phi$ /0.45 $\phi$ x7.6 mm 0.08
885-65-0x.6	Torsion spring (right)	4.4 $\phi$ /0.45 $\phi$ x7.6 mm 0.08
88604-0x.6	Torsion spring (left)	7 $\phi$ /0.5 $\phi$ x6 mm 0.08
88709-0x.6	Torsion spring	9 $\phi$ /0.8 $\phi$ x5.6 mm 0.08
88711-0x.6	Torsion spring	3.5 $\phi$ /0.6 $\phi$ x9.6 mm 0.08
88712-0x.6	Torsion spring	5 $\phi$ /0.7 $\phi$ x5.4 mm 0.08
88735-0x.6	Torsion spring	2.5 $\phi$ /0.6 $\phi$ x10 mm 0.08
88804-0x.6	Torsion spring (left)	5 $\phi$ /0.7 $\phi$ x3.5 mm 0.08
88805-0x.6	Torsion spring (right)	5 $\phi$ /0.7 $\phi$ x3.5 mm 0.08
88816-0x.6	Torsion spring	4.1 $\phi$ /0.7 $\phi$ x2.1 mm 0.08
88917-0x.6	Torsion spring (right)	9 $\phi$ /0.8 $\phi$ x3.2 mm 0.08
88918-0x.6	Torsion spring (left)	9 $\phi$ /0.8 $\phi$ x3.2 mm 0.08
88919-0x.6	Torsion spring (left)	6 $\phi$ /0.8 $\phi$ x6.5 mm 0.08
88920-0x.6	Torsion spring (left)	6 $\phi$ /0.8 $\phi$ x5.6 mm 0.08
88921-0x.6	Torsion spring (left)	6.4 $\phi$ /0.8 $\phi$ x2.4 mm 0.12
88922-0x.6	Torsion spring (right)	6.4 $\phi$ /0.8 $\phi$ x2.4 mm 0.12
88921-0x.6 /01	Paper bail spring reinforced (left)	
88922-0x.6 /01	Paper bail spring reinforced (right)	
88924-0x.6	Torsion spring	5 $\phi$ /0.9 $\phi$ x4.1 mm 0.12
88926-0x.6/02	Torsion spring (right)	8.2 $\phi$ /0.8 $\phi$ x9 mm 0.08
88933-0x.6	Torsion spring	2.8 $\phi$ /0.08 $\phi$ x17 mm 0.08
89040-0x.6	Torsion spring (right)	8.5 $\phi$ /1.2 $\phi$ x9 mm 0.08
89109-0x.6	Torsion spring	8 $\phi$ /1 $\phi$ x3.3 mm 0.08
89114-0x.6	Torsion spring	8.8 $\phi$ /1.2 $\phi$ x5.2 mm 0.10
89130-0x.6	Torsion spring	8.2 $\phi$ /1 $\phi$ x10 mm 0.10
89184-0x.6	Torsion spring	16 $\phi$ /1.1 $\phi$ x6.1 mm 0.10
89347-0x.6	Torsion spring	7 $\phi$ /1.2 $\phi$ x25 mm 0.12
89348-0x.6	Torsion spring	7 $\phi$ /12 $\phi$ x25 mm 0.12
89349-0x.6	Torsion spring	7 $\phi$ /1.4 $\phi$ x25 mm 0.12
89350-0x.6	Torsion spring	5 $\phi$ /1.8 $\phi$ x3.6 mm 0.14
89359-0x.6	Torsion spring	9.8 $\phi$ /1.4 $\phi$ x25 mm 0.12
89368-0x.6	Torsion spring	9.7 $\phi$ /1.5 $\phi$ x7.5 mm 0.12
89402-0x.6	Torsion spring	6.5 $\phi$ /1.6 $\phi$ x19 mm 0.12
89454-0x.6/02	Torsion spring (left)	8.5 $\phi$ /1.8 $\phi$ x6 mm 0.14
93060-0x.6	Screw (left thread)	4 mm 0.03
93065-0x.6	Screw	8 mm 0.03
93400-5x.6/04	Cushion	2.4 $\phi$ /4.6 $\phi$ x3 mm 0.03
93400-5x.6/03	Cushion bushing	2.4 $\phi$ /4.6 $\phi$ x3.5 mm 0.01
93401-5x.6	Cushion bushing	2.5 $\phi$ /8.55 $\phi$ x2 mm 0.01
93405-5x.6	Spacing washer, plastic	2.7 $\phi$ /12 $\phi$ x2 mm 0.01
93410-0x.6	Washer	3.6 $\phi$ /8.3 $\phi$ x1 mm 0.01
93419-5x.6	Plastic washer	5 $\phi$ /12 $\phi$ x3 mm 0.01
93422-5x.6	Silent carriage return friction washer (abandoned) use with part #07/4023-001.1/12 (abandoned)	0.04

# Olympia STANDARD PARTS

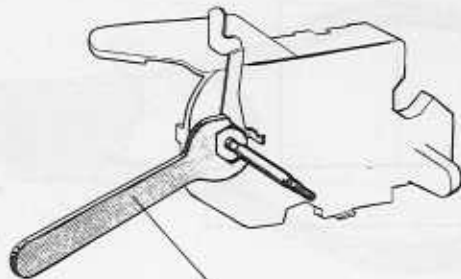
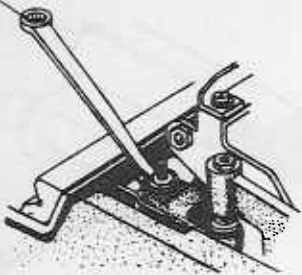
PART NO.	DESCRIPTION	PRICE
93431-0x.6	Washer	0.01
93431-5x.6	Plastic washer	0.01
93438-4x.6	Washer	0.01
93439-6x.6	Washer	0.01
93620-6x.6	Spacing washer spring	0.01
93679-0x.6	Spacing ring	0.08
93760-0x.6	Spacing roller	0.05
93788-0x.6	Spacing roller	0.07
94351-0x.6	Rivet	0.01
	5.7 $\phi$ /10 $\phi$ x0.5 mm	
	4.3 $\phi$ /7 $\phi$ x1 mm	
	4.6 $\phi$ /13 $\phi$ x1.5 mm	
	2 $\phi$ /5 $\phi$ x0.3 mm	
	4 $\phi$ /7.5 $\phi$ x0.2 mm	
	5 $\phi$ /9 $\phi$ x6 mm	
	5 $\phi$ /0.95 $\phi$ x4.3 mm	
	8 $\phi$ /3.2 $\phi$ x6.4 mm	
	2.3 $\phi$ /1.5 $\phi$ x0.8 + 1.7 mm	

# Olympia STANDARD PARTS

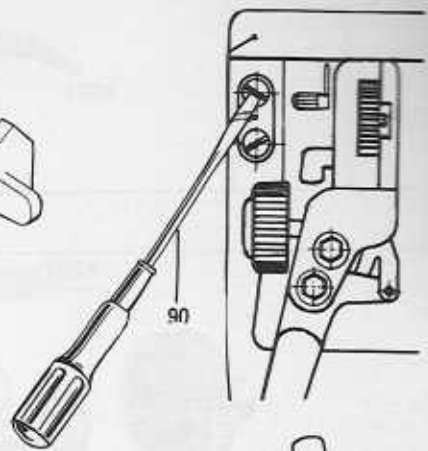
PART NO.	DESCRIPTION	PRICE
TOOLS =====		
WSG - 1 (7/707/0001)	Carriage stand with rubber cushion, for SG-1 & SGE	\$ 4.50 n
WSG - 2 (7/707/0002)	Variable knob removing tool	\$ 1.50
WSG - 3 (7/707/0003)	Individual ribbon draw adjustment tool	\$ 0.70
WSG - 4 (7/707/0004)	Open end wrench for line space arm eccentric screw, 4½ mm opening	\$ 0.80
WSG - 5 (7/707/0005)	Segment fulcrum wire with handle	\$ 0.90
WSG - 6 (7/707/0006)	Adjustment tool for feed roll tension, up to serial # 300 000, <u>not used for new style paper feed</u>	\$ 1.10
WSG - 7 (7/707/0007)	Open end wrench for line space pawl limit eccentric shaft screw 9 mm opening	\$ 0.80
WSG - 8 (7/707/0008)	Socket wrench 7 mm Hex. opening with screw driver	\$ 1.75
WSG - 9 (7/707/0009)	Box wrench for nuts # 30521-0x.6, 7 mm opening	\$ 0.90
WSG - 10 (7/707/0010)	Open end wrench & box wrench, 7 mm opening	\$ 1.50
WSG - 11 (7/707/0011)	Segment lock adjustment wrench, box & hex opening, 7 mm, motion wrench	\$ 1.50
WSG - 12A(7/707/0012)	Platten removing tool, part 1	\$ 2.05
WSG - 12B(7/707/0013)	Platten removing tool, part 2	\$ 1.10
WSG - 13 (7/707/0014)	Assembly frame	\$ 7.15
WSG - 14 (7/707/0015)	Escapment limit adjusting wrench, 7 mm opening	\$ 0.70
WSG - 15 (7/707/0016)	Open end wrench for platen shaft bearing nut, 17 mm opening	\$ 0.80
WSG - 16 (7/707/0017)	Adjusting tool for paper injector return spring	\$ 2.00
RW 26 (7/423/0260)	Keytop removing tool for keytops not spring loaded	\$ 1.00
RW 100 (7/423/0990)	Keytop removing tool for keytops spring loaded	\$ 1.00
(7/423/0940)	Open end wrench for nuts 30519-0x.6, 5.5 mm opening	\$ 0.30
(7/423/0710)	Open end wrench for nuts 30519-0x.6, 5.5 mm opening	\$ 0.30
(7/433/0021)	Socket wrench with handle for escapment dog adjusting nut	\$ 1.00
10/22	Type adjusting plier for soldering types	\$ 15.00 n
20/34	Set of 6 wrenches, with openings 3-3.5 mm; 4-4.5 mm; 5-5.5 mm; 6-7 mm, 8-9 mm; 10-11mm	\$ 3.95 n
20/70	Pocket size tool kit in genuine leather case, containing 2 pliers; watchmaker screw driver with 4 extra insets, bent tweezers, straight tweezers, interchangeable screw driver with 3 extra insets, spring hook, drop oiler, all tools nickel plated, save screw driver & oiler	\$ 15.00 n
3 mm	Tap drills, set of 3	\$ 2.00 n
5 mm	Tap drills, set of 3	\$ 2.25 n
2.4 mm	Drill bit	\$ 0.20 n
4 mm	Drill bit	\$ 0.30 n
5 mm	Drill bit	\$ 0.35 n

# Olympia STANDARD SPECIAL TOOLS

WSG 11

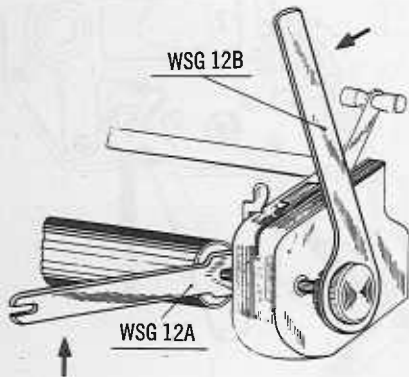


WSG 15

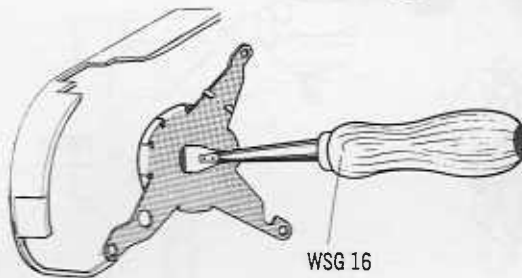


90

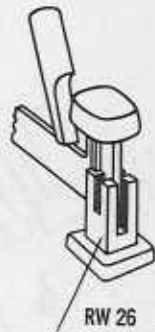
WSG 12B



WSG 12A

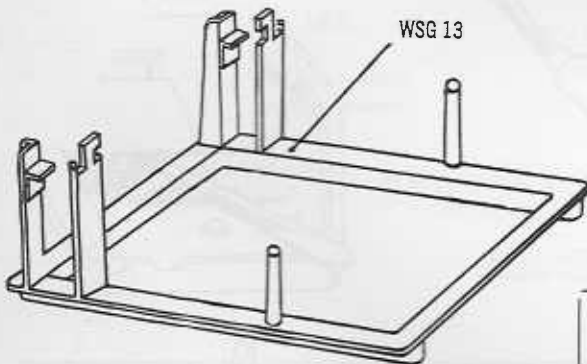


WSG 16

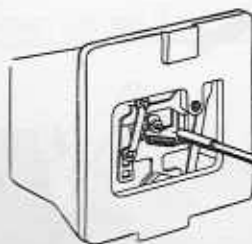


RW 26

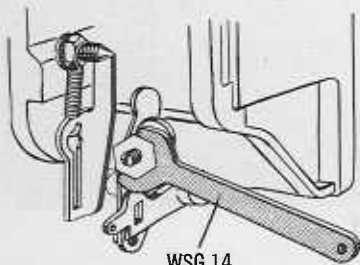
WSG 13



RW 100  
7/423/0990



7/433/0021



WSG 14

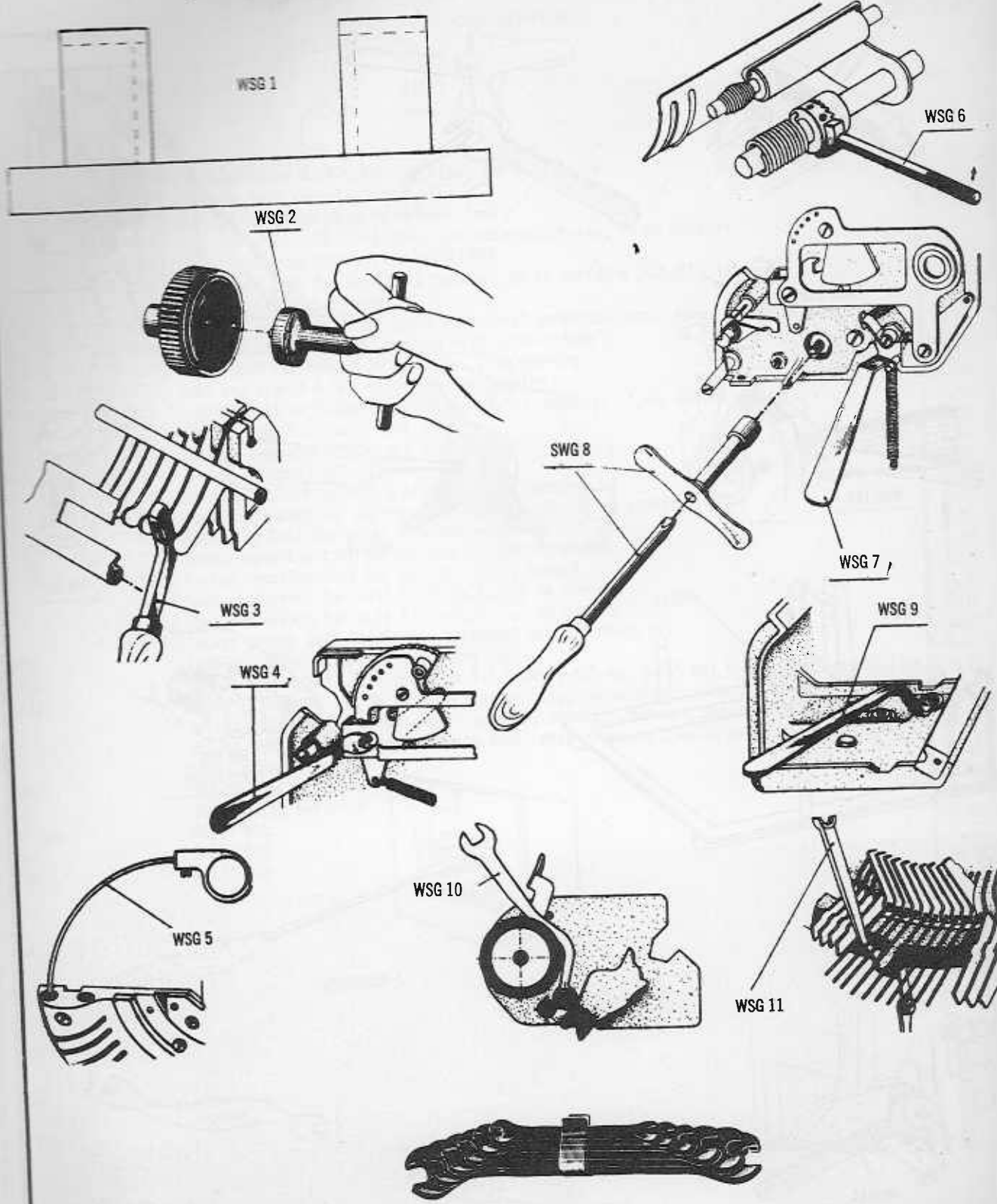


7/423/0770



7/423/0760

# Olympia STANDARD SPECIAL TOOLS



WSG 1

WSG 6

WSG 2

SWG 8

WSG 7

WSG 3

WSG 4

WSG 9

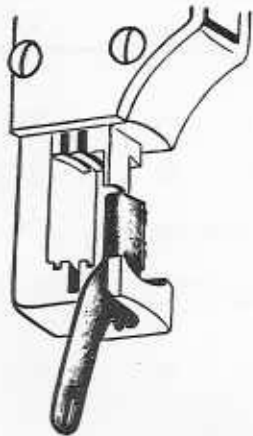
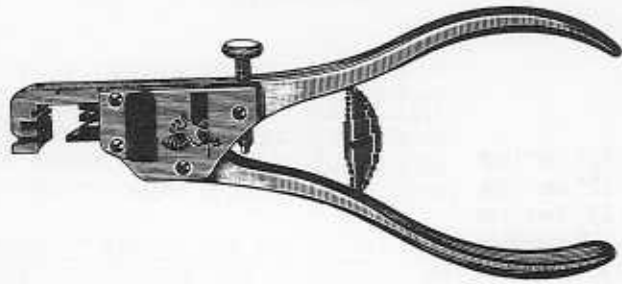
WSG 5

WSG 10

WSG 11

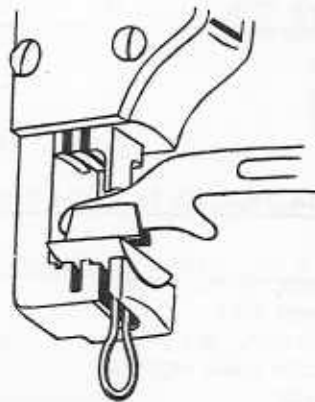
20/34

# Olympia STANDARD SPECIAL TOOLS



(#1)

The type is being adjusted upward



(#2)

The type is being put on the bar

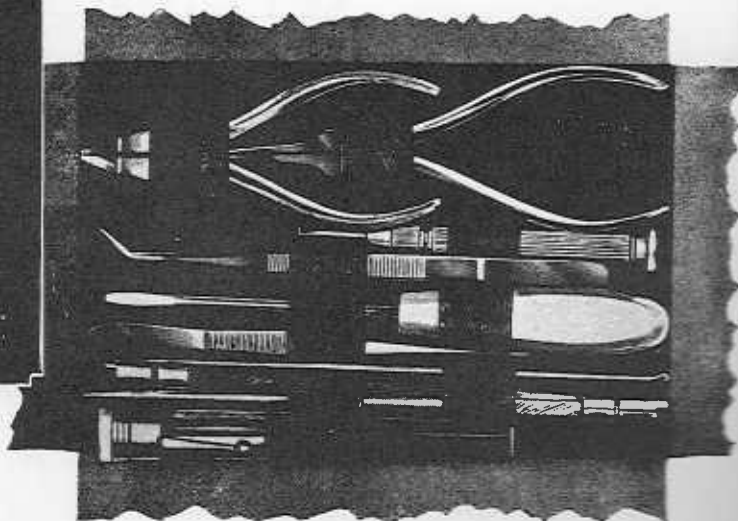
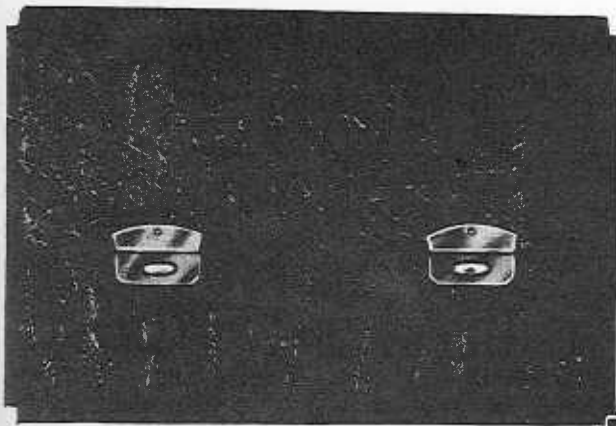


(#3)

Buffer for protecting the typeface when putting on bar (illustration #2)

IN ILLUSTRATION #1, THE TWO SLOTS TO THE LEFT OF THE ONE IN USE ARE FOR ADJUSTING THE TYPE DOWNWARD

SPECIAL POCKET SIZE TOOL KIT #20/70



# Olympia STANDARD PARTS

PART NO.	DESCRIPTION	PRICE
<u>DHST COVERS</u>		
7/9087-01.1	Base with 9½" carriage	1.40
7/9089-01.1	Base with 12" carriage	1.50
7/9096-01.1	Base with 13" carriage	1.50
7/9097-01.1	Base with 15" carriage	1.72
7/9098-01.1	Base with 18" carriage	1.93
8/9271-01.1	9½" or 12" carriage only	1.40
8/9571-01.1	13" or 15" carriage only	1.50
8/9571-01.1	18" carriage only	1.82
8/9671-01.1	24" carriage only	2.00
8/9771-01.1	35" carriage only	2.50
<u>SPECIAL PARTS FOR 57 TEETH RATCHET</u>		
08/3105-099.1/01	57 teeth ratchet	1.60
08/3102-099.1/00	Line space regulator detent plate	0.68
08/3104-099.1/00	Connecting arm lower part	0.20
08/2135-099.2/00	Paper support, plastic, long ruler	1.85
08/3103-099.1/00	Limit block for line space regulator	0.05
08/3115-099.1/00	Line space indicator	0.52
<u>LEGAL SIZE PAPER SUPPORTS FOR 9½", 12", 13", &amp; 15" CARRIAGES</u>		
8/2135-01.2/00	Legal size paper support for 11" and 13" paper for pica (10 pitch) 2.6 spacing, elite (11 pitch) 2.3 spacing, and elite (12 pitch) 2.11 spacing	1.85
8/2135-45.2/00	Legal size paper support for 11" & 13" paper for diamond (14 pitch) 1.8 spacing	1.85
<u>CLEANING KITS</u>		
7/9180-01.1	Cleaning kit complete	0.50 <u>net</u>
<u>BLANK KEY TOPS AND KEY COVERS</u>		
6/1452-01.2/6g	Blank green key top	per piece 0.25 <u>net</u>
BLANK GREEN KEY COVERS ARE AVAILABLE IN PLASTIC BAGS OF <u>50 PIECES PER SET.</u> (SLIP OVER REG. KEY TOPS).		
6g (K.C.)	Blank green key covers (N5/02/009/00)	per set 3.00 <u>net</u>
	Colored blank key covers (N5/02/008/00)	per set 3.00 <u>net</u>

# Olympia STANDARD PARTS

PART NO.	DESCRIPTION	PRICE
<u>Desk Screws</u>		
12281-0x.6	Desk screw with washer; length 3 inches, $\phi$ 7/8 inches	0.20
12176-02.6	Desk screw with washer; length 2 inches, $\phi$ 7/8 inches	0.18
12277-0x.6	Desk screw with washer; length 1 1/2 inches, $\phi$ 7/8 inches	0.16

Recovering charges for platens with soft (1 to 3 copies), Medium hard (3 to 8 copies)  
Hard (8 to 12 copies) and brick hard (12 copies or more)

	9 1/2"	12"	13"	15"	18"	24"	35"
Recovering charge net:	1.31	1.54	1.66	1.90	2.26	2.97	4.29
Price of Platen:	9.30	10.68	11.68	12.32	13.52	18.40	27.52

Library platen for 12" carriage only: complete \$14.50, Recovering charge extra.

Recovering charge for platens with stencilrite rubber, (oil & acid resistant)

	9 1/2"	12"	13"	15"	18"	24"	35"
Recover charge net:	2.26	2.69	2.89	3.33	3.96	5.25	7.58
Price of complete Platen:	10.21	11.48	12.53	13.27	14.57	19.75	30.07

Special Platen:

08/5026-001.2	9 1/2" noiseless platen, soft (1 to 3 copies)	13.36
08/5027-001.2	9 1/2" noiseless platen, hard (8 to 12 copies)	13.36
08/5226-001.2	12" noiseless platen, soft, (1 to 3 copies)	14.68
08/5227-001.2	12" noiseless platen, hard (8 to 12 copies)	14.68
08/5326-001.2	13" noiseless platen, soft (1 to 3 copies)	16.48
08/5327-001.2	13" noiseless platen, hard (8 to 12 copies)	16.48
08/5426-001.2	15" noiseless platen, soft (1 to 3 copies)	17.92
08/5427-001.2	15" noiseless platen, hard (8 to 12 copies)	17.92

Paint for Standard Typewriter, green

1 Quart can	Olympia green wrinkle, sold by AMES SUPPLY COMPANY
1 Can Spray paint	Olympia green wrinkle, sold by AMES SUPPLY COMPANY
1 Gallon can	Olympia green wrinkle, sold by AMES SUPPLY COMPANY

# Olympia STANDARD PARTS

FEED ROLLS FOR SGT - STANDARD TYPEWRITERS

Carriage Length	Style	Type	Front rolls	Units per Assembly	Rear Rolls	Units per Assembly
9 1/2" & 10" after serial # 323 000	Old	Regular	08/9109-001.2	1	08/9110-001.2	1
	Old	Oil resistant	08/9149-001.2	1	08/9151-001.2	1
	New	Regular	08/2116-001.2	2	08/2186-001.2	1
	New	Oil resistant	08/2196-001.2	2	08/2198-001.2	1
12" & 13" after serial # 228 000	Old	Regular	08/9210-001.2	1	08/9216-001.2	1
	Old	Oil resistant	08/9207-001.2	1	08/9213-001.2	1
	New	Regular	08/2116-001.2	2	08/2240-001.2	1
	New	Oil resistant	08/2196-001.2	2	08/2248-001.2	1
15" after serial # 332 000	Old	Regular	08/9410-001.2	1	08/9416-001.2	1
	Old	Oil resistant	08/9407-001.2	1	08/9413-001.2	1
	New	Regular	08/2116-001.2	3	08/2440-001.2	1
	New	Oil resistant	08/2196-001.2	3	08/2448-001.2	1
18" after serial # 359 000	Old	Regular	08/9109-001.2	2	08/9110-001.2	2
	Old	Oil resistant	08/9149-001.2	2	08/9151-001.2	2
	New	Regular	08/2116-001.2	4	08/2186-001.2	2
	New	Oil resistant	08/2196-001.2	4	08/2198-001.2	2
24" after serial # 370 000	Old	Regular	08/9207-001.2	2	08/9213-001.2	2
	Old	Oil resistant	08/9210-001.2	2	08/9216-001.2	2
	New	Regular	08/2116-001.2	4	08/2240-001.2	2
	New	Oil resistant	08/2196-001.2	4	08/2248-001.2	2
35" after serial # 385 000	Old	Regular	08/9410-001.2	2	08/9416-001.2	2
	Old	Oil resistant	08/9407-001.2	2	08/9413-001.2	2
	New	Regular	08/2116-001.2	6	08/2440-001.2	2
	New	Oil resistant	08/2196-001.2	6	08/2448-001.2	2
Single Rolls for 15" & 35" only	Old	Regular	08/9084-001.2		08/9085-001.2	
	Old	Oil resistant	08/9150-001.2		08/9152-001.2	

Type Style	Pitch	Spacing	Ratchet Teeth	Line per "	9 1/2	12	Carriage			18	24	35
							13	15	Indications			
#12 Pica	10	2.6 mm	66	6	88	110	120	120	140	170	232	332
#20 Large Pica	10	2.6 mm	66	6	88	110	120	120	140	170	230	330
#83 Congress Pica	10	2.6 mm	66	6	88	110	120	120	140	170	230	330
#31 Italic Pica	10	2.6 mm	66	6	88	110	120	120	140	170	230	330
Double												
#32 Gothic Pica	10	2.6 mm	66	6	88	110	120	120	140	170	230	330
#28 Bulletin	10	2.6 mm	57	5	88	110	120	120	140	170	230	330
#43 Bold Pica	10	2.6 mm	66	6	88	110	120	120	140	170	230	330
Modern												
#91 Congress	10	2.6 mm	66	6	88	110	120	120	140	170	230	330
#8 Elite	11	2.3 mm	66	6	99	120	130	130	160	190	260	370
#84 Congress Elite	11	2.3 mm	66	6	99	120	130	130	160	190	260	370
Technical												
#41 Elite	11	2.3 mm	66	6	99	120	130	130	160	190	260	370
#89 Italic Elite	11	2.3 mm	66	6	99	120	130	130	160	190	260	370
#75 Script	11	2.3 mm	66	6	99	120	130	130	160	190	260	370
#87 Small Elite	12	2.11 mm	66	6	100	130	140	140	170	210	280	400
Small												
#88 Congress Elite	12	2.11 mm	66	6	100	130	140	140	170	210	280	400
Double												
#50 Gothic Elite	12	2.11 mm	66	6	100	130	140	140	170	210	280	400
Fine												
#40 Italic Elite	12	2.11 mm	66	6	100	130	140	140	170	210	280	400
#1 Diamond	14	1.8 mm	76	7		150			200	240	320	460
Technical												
#90 Diamond	14	1.8 mm	76	7		150			200	240	320	460
#4 Manuscript	17	1.5 mm	76	7		185						

# Olympia STANDARD PARTS

## Carriage Racks for SG -1

Carriage Length:	Part No.	Pitch	Spacing	Price
10"	08/2006-001.1	10	2.6	1.92
	08/2006-035.1	11	2.3	1.92
	08/2006-045.1	14	1.8	1.92
	08/2006-055.1	12	2.11	1.92
	08/2006-065.1	17	1.5	1.92
12"	08/2204-001.1	10	2.6	2.08
	08/2204-035.1	11	2.3	2.08
	08/2204-045.1	14	1.8	2.08
	08/2204-055.1	12	2.11	2.08
	08/2204-065.1	17	1.5	2.08
13"	08/2304-001.1	10	2.6	2.16
	08/2304-035.1	11	2.3	2.16
	08/2304-045.1	14	1.8	2.16
	08/2304-055.1	12	2.11	2.16
	08/2304-065.1	17	1.5	2.16
15"	08/2404-001.1	10	2.6	2.40
	08/2404-035.1	11	2.3	2.40
	08/2404-045.1	14	1.8	2.40
	08/2404-055.1	12	2.11	2.40
	08/2404-065.1	17	1.5	2.40
18"	08/2504-001.1	10	2.6	2.80
	08/2504-035.1	11	2.3	2.80
	08/2504-045.1	14	1.8	2.80
	08/2504-055.1	12	2.11	2.80
	08/2504-065.1	17	1.5	2.80
24"	08/2604-001.1	10	2.6	3.60
	08/2604-035.1	11	2.3	3.60
	08/2604-045.1	14	1.8	3.60
	08/2604-055.1	12	2.11	3.60
	08/2604-065.1	17	1.5	3.60
35"	08/2704-001.1	10	2.6	5.36
	08/2704-035.1	11	2.3	5.36
	08/2704-045.1	14	1.8	5.36
	08/2704-055.1	12	2.11	5.36
	08/2704-065.1	17	1.5	5.36

# Olympia STANDARD PARTS

Carriage Length	Aluminum		Steel		Pitch	Spacing
	Part No.	Price	Part No.	Price		
10"	08/9002-001.1	3.36	08/5016-001.1	5.04	10	2.6 mm
	08/9002-035.1	3.36	08/5016-035.1	5.04	11	2.3 mm
	08/9002-055.1	3.36	08/5016-055.1	5.04	12	2.11 mm
	08/9002-045.1	3.36	08/5016-045.1	5.04	14	1.8 mm
	08/9002-065.1	3.36	08/5016-065.1	5.04	17	1.5 mm
12"	08/9206-001.1	3.96	08/5207-001.1	5.04	10	2.6 mm
	08/9206-035.1	3.96	08/5207-035.1	5.04	11	2.3 mm
	08/9206-055.1	3.96	08/5207-055.1	5.04	12	2.11 mm
	08/9206-045.1	3.96	08/5207-045.1	5.04	14	1.8 mm
	08/9206-065.1	3.96	08/5207-065.1	5.04	17	1.5 mm
13"	08/9306-001.1	4.40	08/5307-001.1	6.60	10	2.6 mm
	08/9306-035.1	4.40	08/5307-035.1	6.60	11	2.3 mm
	08/9306-055.1	4.40	08/5307-055.1	6.60	12	2.11 mm
	08/9306-045.1	4.40	08/5307-045.1	6.60	14	1.8 mm
	08/9306-065.1	4.40	08/5307-065.1	6.60	17	1.5 mm
15"	08/9406-001.1	5.08	08/5407-001.1	7.60	10	2.6 mm
	08/9406-035.1	5.08	08/5407-035.1	7.60	11	2.3 mm
	08/9406-055.1	5.08	08/5407-055.1	7.60	12	2.11 mm
	08/9406-045.1	5.08	08/5407-045.1	7.60	14	1.8 mm
	08/9406-065.1	5.08	08/5407-065.1	7.60	17	1.5 mm
18"	08/9506-001.1	5.76	08/5507-001.1	8.64	10	2.6 mm
	08/9506-035.1	5.76	08/5507-035.1	8.64	11	2.3 mm
	08/9506-055.1	5.76	08/5507-055.1	8.64	12	2.11 mm
	08/9506-045.1	5.76	08/5507-045.1	8.64	14	1.8 mm
	08/9506-065.1	5.76	08/5507-065.1	8.64	17	1.5 mm
24"	08/9606-001.1	7.60	08/5607-001.1	11.40	10	2.6 mm
	08/9606-035.1	7.60	08/5607-035.1	11.40	11	2.3 mm
	08/9606-055.1	7.60	08/5607-055.1	11.40	12	2.11 mm
	08/9606-045.1	7.60	-----	-----	14	1.8 mm
	08/9606-065.1	7.60	-----	-----	17	1.5 mm
35"	08/9706-001.1	9.60	-----	-----	10	2.6 mm
	08/9706-035.1	9.60	-----	-----	11	2.3 mm
	08/9706-055.1	9.60	-----	-----	12	2.11 mm
	08/9706-045.1	9.60	-----	-----	14	1.8 mm
	08/9706-065.1	9.60	-----	-----	17	1.5 mm

*Tabulator Rails  
(without stops & springs)*

Prices Subject to Change Without Notice

# Olympia STANDARD PARTS

TABULATOR RACKS COMPLETE FOR SG-I

Carriage Length	Part No.	Pitch	Spacing	Price
10"	08/9082-001.1	10	2.6	9.76
	08/9082-035.1	11	2.3	9.76
	08/9082-045.1	14	1.8	9.76
	08/9082-055.1	12	2.11	9.76
	08/9082-065.1	17	1.5	9.76
12"	08/9205-001.1	10	2.6	11.44
	08/9205-035.1	11	2.3	11.44
	08/9205-045.1	14	1.8	11.44
	08/9205-055.1	12	2.11	11.44
	08/9205-065.1	17	1.5	11.44
13"	08/9305-001.1	10	2.6	13.44
	08/9305-035.1	11	2.3	13.44
	08/9305-045.1	14	1.8	13.44
	08/9305-055.1	12	2.11	13.44
	08/9305-065.1	17	1.5	13.44
15"	08/9405-001.1	10	2.6	15.04
	08/9405-035.1	11	2.3	15.04
	08/9405-045.1	14	1.8	15.04
	08/9405-055.1	12	2.11	15.04
	08/9405-065.1	17	1.5	15.04
18"	08/9505-001.1	10	2.6	17.76
	08/9505-035.1	11	2.3	17.76
	08/9505-045.1	14	1.8	17.76
	08/9505-055.1	12	2.11	17.76
	08/9505-065.1	17	1.5	17.76
24"	08/9605-001.1	10	2.6	23.68
	08/9605-035.1	11	2.3	23.68
	08/9605-045.1	14	1.8	23.68
	08/9605-055.1	12	2.11	23.68
	08/9605-065.1	17	1.5	23.68
35"	08/9705-001.1	10	2.6	29.12
	08/9705-035.1	11	2.3	29.12
	08/9705-045.1	14	1.8	29.12
	08/9705-055.1	12	2.11	29.12
	08/9705-065.1	17	1.5	29.12

# Olympia STANDARD PARTS

MARGIN STOP AND RACK FOR SG-I

Carriage Length	Part No.	Pitch	Spacing	Price
10"	08/2052-001.2	10	2.6	8.56
	08/2052-035.2	11	2.3	8.56
	08/2052-045.2	14	1.8	8.56
	08/2052-055.2	12	2.11	8.56
	08/2052-065.2	17	1.5	8.56
12"	08/2215-001.2	10	2.6	8.64
	08/2215-035.2	11	2.3	8.64
	08/2215-045.2	14	1.8	8.64
	08/2215-055.2	12	2.11	8.64
	08/2215-065.2	17	1.5	8.64
13"	08/2315-001.2	10	2.6	8.80
	08/2315-035.2	11	2.3	8.80
	08/2315-045.2	14	1.8	8.80
	08/2315-055.2	12	2.11	8.80
	08/2315-065.2	17	1.5	8.80
15"	08/2415-001.2	10	2.6	8.96
	08/2415-035.2	11	2.3	8.96
	08/2415-045.2	14	1.8	8.96
	08/2415-055.2	12	2.11	8.96
	08/2415-065.2	17	1.5	8.96
18"	08/2515-001.2	10	2.6	9.36
	08/2515-035.2	11	2.3	9.36
	08/2515-045.2	14	1.8	9.36
	08/2515-055.2	12	2.11	9.36
	08/2515-065.2	17	1.5	9.36
24"	08/2615-001.2	10	2.6	10.16
	08/2615-035.2	11	2.3	10.16
	08/2615-045.2	14	1.8	10.16
	08/2615-055.2	12	2.11	10.16
	08/2615-065.2	17	1.5	10.16
35"	08/2715-001.2	10	2.6	12.48
	08/2715-035.2	11	2.3	12.48
	08/2715-045.2	14	1.8	12.48
	08/2715-055.2	12	2.11	12.48
	08/2715-065.2	17	1.5	12.48

# Olympia STANDARD PARTS

MARGIN STOP SCALES FOR SG-I

Carriage Length	Part No.	Pitch	Spacing	Price
10"	08/2013-001.1	10	2.6	0.88
	08/2013-035.1	11	2.3	0.88
	08/2013-045.1	14	1.8	0.88
	08/2013-055.1	12	2.11	0.88
	08/2013-065.1	17	1.5	0.88
12"	08/2210-001.1	10	2.6	0.96
	08/2210-035.1	11	2.3	0.96
	08/2210-045.1	14	1.8	0.96
	08/2210-055.1	12	2.11	0.96
	08/2210-065.1	17	1.5	0.96
13"	08/2310-001.1	10	2.6	1.00
	08/2310-035.1	11	2.3	1.00
	08/2310-045.1	14	1.8	1.00
	08/2310-055.1	12	2.11	1.00
	08/2310-065.1	17	1.5	1.00
15"	08/2410-001.1	10	2.6	1.04
	08/2410-035.1	11	2.3	1.04
	08/2410-045.1	14	1.8	1.04
	08/2410-055.1	12	2.11	1.04
	08/2410-065.1	17	1.5	1.04
18"	08/2510-001.1	10	2.6	0.88
	08/2510-035.1	11	2.3	0.88
	08/2510-045.1	14	1.8	0.88
	08/2510-055.1	12	2.11	0.88
	08/2510-065.1	17	1.5	0.88
24"	08/2610-001.1	10	2.6	1.16
	08/2610-035.1	11	2.3	1.16
	08/2610-045.1	14	1.8	1.16
	08/2610-055.1	12	2.11	1.16
	08/2610-065.1	17	1.5	1.16
35"	08/2710-001.1	10	2.6	1.60
	08/2710-035.1	11	2.3	1.60
	08/2710-045.1	14	1.8	1.60
	08/2710-055.1	12	2.11	1.60
	08/2710-065.1	17	1.5	1.60

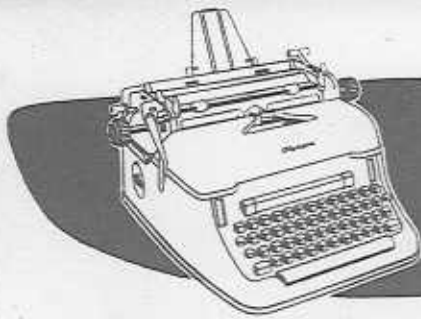
# Olympia STANDARD PARTS

High Mortality parts assortment for SG-I

Based on about 50 to 75 machines to be serviced.

Amount and Parts can be changed as needed.

Amount	Part No.	Description	Single	Price	Total
5	08/9101-001.2/05	Variable release knob	0.24		1.20
5	08/9174-001.2	Platen knob left	2.72		13.60
5	08/9103-001.2/07	Platen knob right	1.44		7.20
10	08/2116-001.2	Rubber feed roll, front	0.96		9.60
10	08/2196-001.2	Stencil feed roll, front	0.96		9.60
5	08/2240-001.2	Rubber feed roll, rear	2.80 (12")		14.00
5	08/2248-001.2	Stencil feed roll, rear	2.80 (12")		14.00
3	08/2186-001.2	Rubber feed roll, rear	2.40 (9½")		7.20
3	08/2198-001.2	Stencil feed roll, rear	2.40 (9½")		7.20
10	08/2026-001.1	Margin stop pointer, left	0.16		1.60
10	08/2027-001.1	Margin stop pointer, right	0.16		1.60
3	07/9066-001.2/04	Aligning scale, pica, left	0.72		2.16
3	07/9067-001.2/04	Aligning scale, right, pica	0.72		2.16
25	07/9150-001.2	Connecting lever, left	0.12		3.00
25	07/9154-001.2	Connecting lever, right	0.12		3.00
10	08/1207-001.2	12" draw band	0.48		4.80
5	08/1043-001.2	9½" draw band	0.44		2.20
10	08/2135-001.2/00	Paper support, long	1.85		18.50
10	08/3020-001.2/07	Line space regulator	0.40		4.00
20	08/9090-001.2/05	Paper bail lift handle	0.20		4.00
10	08/3070-001.2	Connecting rod	0.64		6.40
10	07/5010-001.1	Type rest cushions	0.32		3.20
6	08/9238-001.2	Ball bearing separator (12")	1.12		6.72
3	08/9115-001.2	Ball bearing separator (9½")	1.08		3.24
1	08/3075-001.2/02	Line space lever			3.60
3	08/3005-001.1/05	Ratchet release lever	1.72		5.16
6	07/9013-001.1/08	Type bar connecting wire 1-22	0.12		0.72
2	07/9014-001.1/04	Type bar connecting wire #23	0.12		0.24
2	07/9015-001.1/04	Type bar connecting wire #24	0.12		0.24
6	07/9016-001.1/03	Type bar connecting wire 25-46	0.12		0.72
4	07/9071-001.2/02	Carriage lock knob	0.24		0.96
1	Complete set SG-I tools				30.54
1	Assortment nuts, screws, pins, etc.				7.50
1	Set MM wrenches				5.25
					<u>\$205.11</u>



*Olympia*



**REPORTER**

OLYMPIA DIVISION

INTER-CONTINENTAL TRADING CORPORATION • 90 WEST ST., NEW YORK 6, N. Y.

Date: February 24, 1961  
File: 77261

To Our Olympia SGI Standard Machine Dealers:

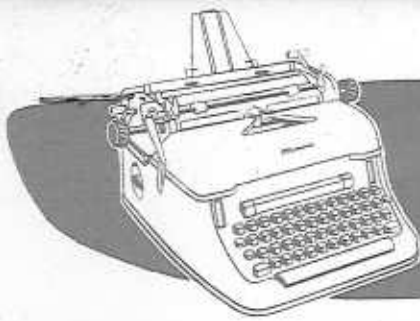
During the past few years there have been quite a number of changes on the SGI which has made our present SGI Spare Parts Catalog obsolete. We are, therefore, pleased to send you enclosed a copy of our new parts catalog incorporating all these changes. This new catalog should facilitate ordering parts for our SGIs.

Kindly note that most parts prices have been changed. These price changes will become effective as of March 1, 1961. While we will supply one copy of this parts catalog to our dealers free of charge, we will have to charge \$1.50 for each additional copy. When ordering parts, kindly follow carefully the instructions contained on the first page.

Very truly yours,

INTER-CONTINENTAL TRADING CORPORATION

Parts Department



Olympia



REPORTER

OLYMPIA DIVISION

INTER-CONTINENTAL TRADING CORPORATION • 90 WEST ST., NEW YORK 6, N. Y.

TECHNICAL BULLETIN # 8

August 1961

Dear OLYMPIA Dealer:

Kindly note the following changes and corrections, which should be added to your SG - 1 parts catalog, Edition January 1961. (Older editions are obsolete and should be destroyed.)

SG - 1

- 1.) Page 52 add after: 08/2174-001.1  
08/2178-001.1 bell activating lever, after serial # 654 595 \$0.36
- 2.) Page 52 add after 08/9180-001.1  
08/9180-001.4 bell pawl, after serial # 654 595 \$0.16
- 3.) Page 53 add to 08/9251-001.1 carriage dust rail  
used after serial # 603 000 on upper rail only, omitted for lower rail
- 4.) New style paper injector mechanism after serial # 599 700  
The following parts have been added or changed:
  - 08/4001-001.1/19 carriage end, right \$5.20
  - 08/4005-001.1/05 paper injector assembly shaft \$0.36
  - 08/4006-001.1/06 paper injector adjusting rack \$0.44
  - 08/4009-001.1/09 injector brake lever for 10 & 11 pitch \$1.04
  - 08/4011-001.1/04 injector pinion for 10 & 11 pitch \$1.00
  - 08/4011-045.1/02 injector pinion for 14 pitch \$1.00
  - 08/4017-001.1/06 injector mechanism adjusting pawl \$0.64
  - 08/4031-001.2/07 injector mechanism segment \$0.96
  - 08/4032-001.2/12 injector handle \$2.80
  - 08/4033-001.1/02 injector spacing pawl for 10, 11 & 12 pitch \$0.44
  - 08/4033-045.2/01 injector spacing pawl for 14 pitch \$0.44

08/4035-001.2/05	injector segment with indicator & pawl	\$2.88
08/4043-001.1/03	injector brake disc	\$0.20
08/4044-001.2/01	injector guide with rubber buffer	\$0.60
08/4046-001.1/00	rubber buffer	\$0.04
08/4047-001.1/03	buffer cover	\$0.28
84345-0x.8	tension spring	\$0.12
88609-0x.6	spring	\$0.08
34277-0x.6	washer	\$0.02
34583-0x.6	ring washer	\$0.02

5.) Page 77 correct price for 12" steel tabulator rail(second column)

08/5207-001.1 \$5.92 instead of \$5.04

08/5207-035.1 \$5.92

08/5207-045.1 \$5.92

08/5207-055.1 \$5.92

6.) 18" carriage part # 08/9558-001.2/02 carrier with margin scale after serial # 467 000 is used without a plastic paper support!

7.) Page 46 correct please

08/3030-001.2 line space lever up to serial # 198 000(not 178 000)

8.) An all metal aligning scale is available for SG-1 & SGE Part #:

17/9069-001.2 metal aligning scale pica 10 pitch \$13.65

17/9069-035.2 elite, 11 pitch \$13.65

17/9069-045.2 diamond, 14 pitch \$13.65

17/9069-055.2 elite, 12 pitch \$13.65

17/9069-065.2 diamond, 18 pitch \$13.65

9.) Page 30 & 66 add after 88922-0x.6/01

88921-0x.6/02 paper bail spring after serial # 525 000 \$0.12

88922-0x.6/02 paper bail spring after serial # 525 000 \$0.12

These springs are changed and reinforced.

10.) Page 46 & 47

After appr. serial # 600 000 the line space regulator(plastic part) line space regulator arm(upper part) and screw have been reinforced.

The old style is no longer available.If any one of these three parts have to be replaced,exchange the other two also.

Old part # 08/3020-001.1/07 line space regulator  
 # 08/3052-001.2/00 line space connecting arm(upper part)  
 # 15478-0x.6 regulator shaft screw  
 New part # 08/3020-001.1/08 (plastic thicker)  
 # 08/3052-001.2/01 (stud longer)  
 # 15479-0x.6 (collar longer) Prices are the same.

SGE 21

Up to now, the transformer unit on the SGE 21 typewriter was screwed to the frame with two 5 mm plastic screws. Because of the low breaking point of these plastic screws the factory changed these to metal screws. To insure the insulation these metal screws are used with a plastic insulator.

Old part # 12569-5x.6 plastic screw, no longer available!  
 New parts: 12534-0x.6 3 mm metal screw \$0.01  
 32114-0x.6/07 adapter screw  
                   outside thread 5 mm  
                   inside thread 3 mm \$0.40  
 37376-5x.6 plastic insulator \$0.65

Procedure of replacing:

Remove plastic screws. Insert into frame adapter screw 32114-0x.6/07, Replace insulation and distance washers. Set up transformer unit. Insert into holes the plastic insulator 37376-5x.6 and screw unit to frame with screws 12534-0x.6

Thank you

Parts Department

*H. Schiel*

H. Schiel